

HIKOKI

CORDLESS ROTARY HAMMER DH3628DC

Item No.	Code No.	Description	No. Used	Remarks
1	377959	CHUCK HOLDER ASS'Y	1	INCLUD.2-11
2	995344	FLAT HD. SCREW (A) (LEFT HAND) M6X25	1	
3	335961	DRILL CHUCK 13VLRU-N (W/O CHUCK WRENCH)	1	
4	326527	STOPPER	1	
5	965469	RETAINING RING FOR D25 SHAFT	2	
6	326520	WASHER (B)	2	
7	326519	SPRING	2	
8	375013	LOCK GRIP	2	
9	326801	LOCK RING	2	
10	375011	CHUCK HOLDER (A)	1	
11	335300	STEEL BALL D7.0 (10 PCS.)	5	
12	379084	TAPPING SCREW (W/FLANGE) D5 (BLACK)	4	
13		NAME PLATE	1	
14	335259	OIL SEAL	1	
15	6805BB	BALL BEARING 6805	1	
16	375010	BIT HOLDER (A) ASS'Y	1	INCLUD.5-9,11,17,24
17	375363	GRIP SET	1	INCLUD.11(1 PC.),18-23
18	306345	FRONT CAP	1	
19	306340	STOPPER RING	1	
20	374436	GRIP	1	
21	374437	BALL HOLDER	1	
22	374435	HOLDER PLATE	1	
23	322812	HOLDER SPRING	1	
24	375009	BIT HOLDER (A)	1	
25	322789	PUSHING BUTTON	1	
26	317223	PUSHING SPRING	1	
27	334011	CHANGE LEVER	1	
28	878885	O-RING (S-18)	1	
29	379085	GEAR COVER ASS'Y	1	INCLUD.31
30	335800	SPRING (E)	1	
31	608VVM	BALL BEARING 608VVC2PS2L	1	
32	374422	SHAFT HOLDER (B)	1	
33	375007	CYLINDER	1	
34	335265	SECOND GEAR	1	
35	374430	SPRING (B)	1	
36	301679	WASHER (A)	2	
37	948310	RETAINING RING FOR D30 SHAFT	1	
38	335262	OIL SEAL (A)	1	
39	375014	HAMMER HOLDER (D)	1	
40	375008	SECONDE HAMMER	1	
41	374429	HAMMER HOLDER (A)	1	
42	322805	DAMPER (A)	1	
43	322808	O-RING (C)	1	
44	324524	DAMPER HOLDER	1	
45	322807	STOPPER RING	1	
46	374443	STRIKER	1	
47	372816	O-RING	1	
48	372817	PISTON	1	
49	335794	PISTON WASHER	2	
50	990079	SEAL LOCK HEX. SOCKET HD. BOLT M5X16	4	
51	379079	INNER COVER (B)	1	
52	370310	O-RING	1	
53	379947	SUPPORT (B)	2	

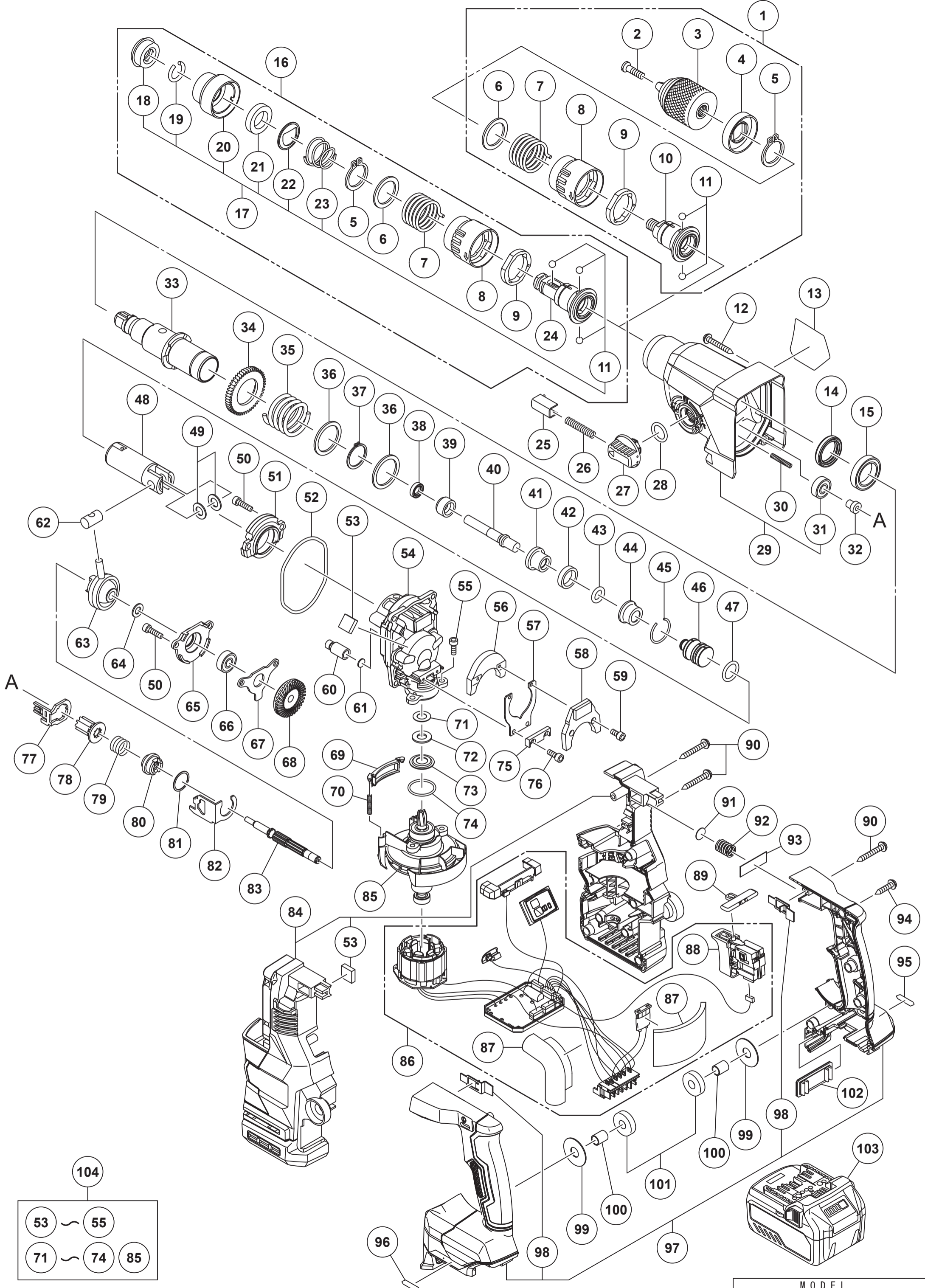
* ALTERNATIVE PARTS

HIKOKI

CORDLESS ROTARY HAMMER DH3628DC

Item No.	Code No.	Description	No. Used	Remarks
54	379077	INNER COVER (A)	1	
55	877839	SEAL LOCK HEX. SOCKET HD. BOLT M5X10	2	
56	374627	WEIGHT (A)	1	
57	335282	LEAF SPRING	1	
58	374628	WEIGHT (B)	1	
59	325241	SEAL LOCK HEX. SOCKET HD. BOLT M3X8	2	
60	334008	AIR CAP	1	
61	324543	FELT PACKING (A)	1	
62	335793	PISTON PIN	1	
63	335249	RECIPROCATING BEARING	1	
64	379930	BEARING WASHER	1	
65	370312	BEARING HOLDER (B)	1	
66	608VVM	BALL BEARING 608VVC2PS2L	1	
67	379082	BEARING COVER (A)	1	
68	379083	BEVEL GEAR	1	
69	379068	SHUTTER	1	
70	379069	SHUTTER SPRING	2	
71	379946	DUST WASHER	1	
72	370315	FELT PACKING	1	
73	379078	PACKING WASHER	1	
74	872470	O-RING (S-26)	1	
75	374626	SPRING HOLDER	1	
76	983162	SEAL LOCK HEX. SOCKET HD. BOLT M4X12	2	
77	374434	LOCK PLATE	1	
78	374440	SECOND PINION	1	
79	323182	CLUTCH SPRING	1	
80	375022	CLUTCH	1	
81	331315	WASHER	1	
82	374439	CHANGE PLATE (C)	1	
83	379080	SECOND SHAFT	1	
84	379070	HOUSING (A).(B) SET	1	INCLUD.53
85	361188	ROTOR (A)	1	
86	341156	WIRING ASS'Y (A)	1	INCLUD.87,88
87	379957	SUPPORT (B)	2	
88	379067	SPEED CONTROL SWITCH	1	
89	324225	PUSHING BUTTON (B)	1	
90	306664	TAPPING SCREW (W/FLANGE) D4X40 (BLACK)	3	
91	379138	HOUSING PLATE	1	
92	379074	HANDLE SPRING	1	
93	379137	HANDLE PLATE	1	
94	301653	TAPPING SCREW (W/FLANGE) D4X20 (BLACK)	12	
95	379350	MV LABEL (B) (2)	1	
96	379349	MV LABEL (A) (2)	1	
97	379071	HANDLE (A).(B) ASS'Y	1	INCLUD.98
98	379072	HANDLE GUIDE	2	
99	379076	HANDLE WASHER	2	
100	379075	HANDLE COLLAR	2	
101	379073	HANDLE DAMPER	2	
102	373521	BATTERY RUBBER (B)	1	
*103	371750	BATTERY BSL 36A18 (EUROPE,AUS,NZL)	2	INCLUD.503
104	379945	INNER COVER ASS'Y (A)	1	INCLUD.53-55,71-74,85
		STANDARD ACCESSORIES		
501		CHARGER (MODEL UC 18YSL3)	1	

* ALTERNATIVE PARTS



- | | | |
|----|---|----|
| 53 | ~ | 55 |
| 71 | ~ | 74 |
| | | 85 |

MODEL
DH3628DC(1/2)

