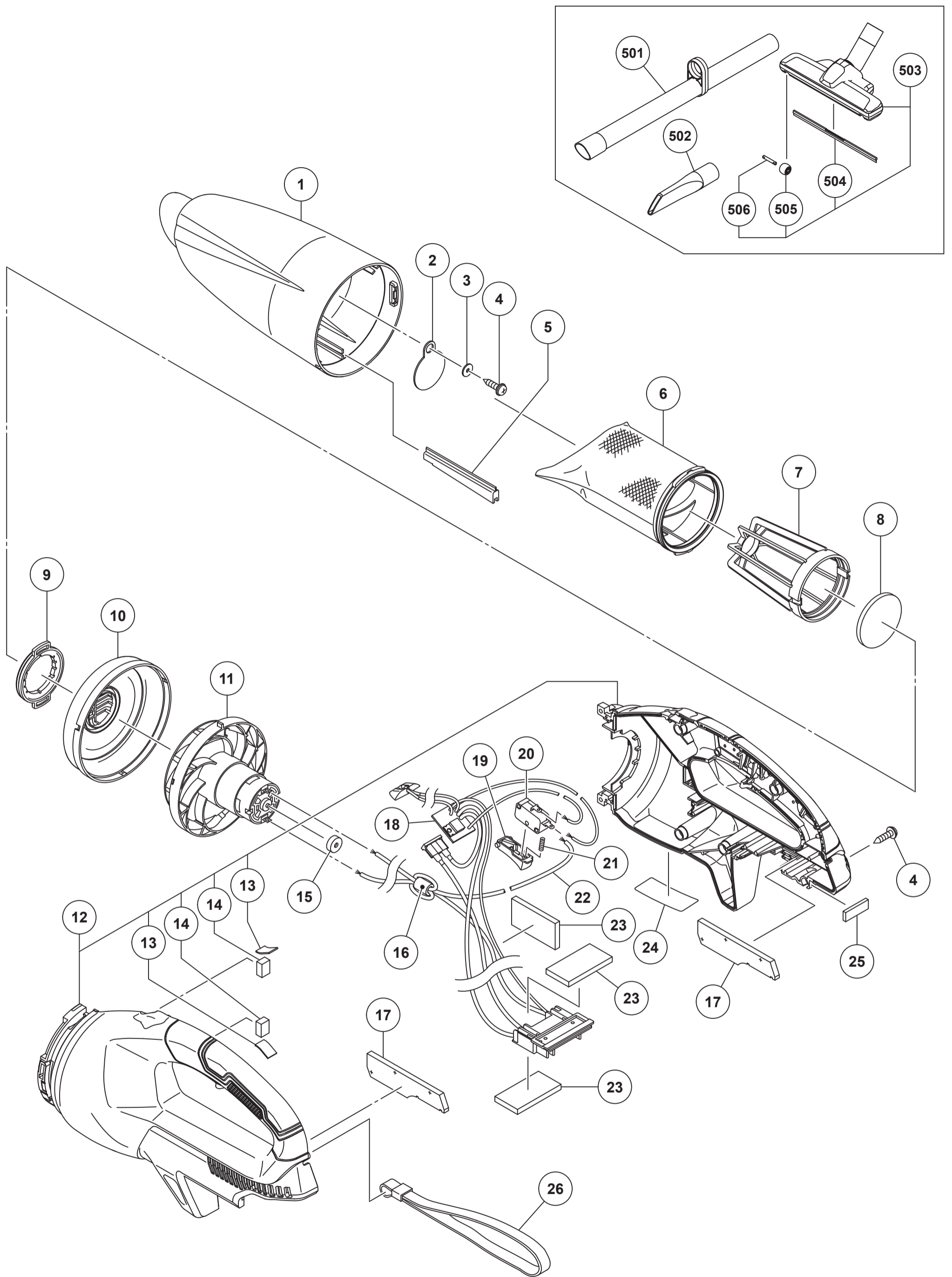


# HIKOKI

## CORDLESS OTHERS R18DTC

Item No.	Code No.	Description	No. Used	Remarks
1	375157	DUST CASE (PALE WHITE)	1	
2	337799	VALVE	1	
3	333916	WASHER	1	
4	313687	TAPPING SCREW (W/FLANGE) D3X16 (BLACK)	8	
5	379022	FILTER BLADE	3	
6	376509	FILTER	1	
7	337794	FILTER HOLDER	1	
8	375377	FAN FILTER	1	
9	376651	MOTOR HOLDER (C)	1	
10	337795	FAN COVER	1	
11	337805	MOTOR FAN (B)	1	
12	376662	HOUSING SET	1	INCLUD. 13, 14
13	376749	CUSHION RUBBER	2	
14	376750	CUSHION	2	
15	337802	RUBBER BUSHING (B)	1	
16	318247	FERRITE CORE	1	
17	376650	EXHAUST FILTER	2	
18	376663	CONTROLLER SET	1	
19	324299	TRIGGER	1	
20	333324	SWITCH	1	
21	324307	SPRING (B)	1	
22	337811	INTERNAL WIRE (A) 280L	1	
23	339343	SUPPORT (D)	3	
24		NAME PLATE	1	
25	331101	CUSHION	1	
26	306952	STRAP (BLACK)	1	
		STANDARD ACCESSORIES		
501	378835	EXTENSION PIPE (W/NOZZLE HOLDER) WHITE	1	
502	378836	CREVICE NOZZLE (PALE WHITE)	1	
503	380948	FLOORING NOZZLE B (PALE WHITE)	1	INCLUD. 504-506
504	378922	BLADE	1	
505	378923	WHEEL	4	
506	378924	SHAFT D3	4	
		OPTIONAL ACCESSORIES		
601	375371	RACK BRUSH	1	
602	375372	ROUND BRUSH	1	
603	375373	FLEXIBLE HOSE	1	
604	375374	ANGLE JOINT	1	
605	375375	EXTENSION PIPE (SHORT)	1	

\* ALTERNATIVE PARTS



MODEL  
R18DTC