

HIKOKI

MITER SAW C12RSH3

| Item No. | Code No. | Description | No. Used | Remarks |
|----------|----------|---|----------|---|
| 1 | 339624 | WISE ASS'Y | 1 | INCLUD.2-8 |
| 2 | 307956 | SEAL LOCK HEX. SOCKET SET SCREW M6X10 | 1 | |
| 3 | 339626 | WISE SHAFT | 1 | |
| 4 | | SCREW HOLDER | 1 | |
| 5 | 339625 | KNOB BOLT M10 | 1 | |
| 6 | 996722 | WASHER | 2 | |
| 7 | 322047 | WISE PLATE | 1 | |
| 8 | 996247 | MACHINE SCREW (W/WASHERS) M5X12 (BLACK) | 1 | |
| 9 | 380821 | SUB FENCE (B) | 1 | |
| 10 | 322959 | WING BOLT M6X22 | 2 | |
| 11 | 307221 | BOLT (W/WASHERS) M8X35 (BLACK) | 4 | |
| 12 | 380819 | FENCE (B) | 1 | |
| 13 | 376730 | HOLDER | 1 | |
| *14 | 375142 | BOLT M6X30 | 2 | FOR EUROPE ,GBR ,AUS ,NZL ,SAF ,TUR ,USA ,CAN |
| *15 | 375137 | SUB TABLE (F) ASS'Y | 2 | INCLUD. 16-18 FOR EUROPE ,GBR ,AUS ,NZL ,SAF , TUR |
| *16 | 375132 | WING BOLT M6X15 | 2 | FOR EUROPE ,GBR ,AUS ,NZL ,SAF ,TUR |
| *17 | 998852 | SPRING | 4 | FOR EUROPE ,GBR ,AUS ,NZL ,SAF ,TUR |
| *18 | 374639 | SET SCREW | 4 | FOR EUROPE ,GBR ,AUS ,NZL ,SAF ,TUR |
| *19 | 375130 | HOLDER | 2 | FOR EUROPE ,GBR ,AUS ,NZL ,SAF ,TUR |
| 21 | 380805 | SPECIAL SCREW M6 | 4 | |
| 22 | 380803 | MITER SCALE | 1 | |
| 23 | 949610 | BOLT M6X10 (10 PCS.) | 1 | |
| 24 | 380806 | BASE | 1 | |
| 25 | 380818 | FENCE (A) | 1 | |
| 26 | 380820 | SUB FENCE (A) | 1 | |
| 41 | 380850 | SPECIAL BOLT M12 | 1 | |
| 42 | 955818 | BOLT WASHER M16 | 1 | |
| 43 | 307354 | HEX. SOCKET HD. BOLT (W/WASHERS) M6X16 | 4 | |
| 44 | 380847 | BRAKE PLATE | 1 | |
| 45 | 380848 | WASHER D18 | 2 | |
| 46 | 380849 | BELLEVILLE SPRING D18 | 1 | |
| 47 | 324612 | NYLOCK HEX. SOCKET SET SCREW M8X16 | 3 | |
| 48 | 380846 | SPECIAL BOLT SET M18 | 1 | |
| 49 | 949217 | MACHINE SCREW M4X12 (10 PCS.) | 1 | |
| 50 | 949429 | BOLT WASHER M4 (10 PCS.) | 1 | |
| *51 | 948614 | NYLON CLIP | 1 | |
| *52 | 380826 | HOLDER (A) ASS'Y | 1 | INCLUD. 53 ,54 ,59 |
| 53 | 961554 | HEX. SOCKET SET SCREW M8X10 | 4 | |
| 54 | 323606 | BASE RUBBER | 1 | |
| *55 | 378901 | BALL BUSHING | 1 | EXCEPT FOR USA ,CAN |
| 56 | 324418 | KNOB BOLT M6X25 | 1 | |
| 57 | 947859 | LOCK SPRING | 1 | |
| *58 | 380828 | HINGE (A) | 1 | |
| 59 | 334458 | SUPPORT | 1 | |
| *60 | 949215 | MACHINE SCREW M4X8 (10 PCS.) | 9 | |
| *61 | 949429 | BOLT WASHER M4 (10 PCS.) | 9 | |
| 62 | 324414 | BALL BUSHING | 1 | |
| 65 | 380852 | INDICATOR | 1 | |
| 66 | 949429 | BOLT WASHER M4 (10 PCS.) | 2 | |
| 67 | 949217 | MACHINE SCREW M4X12 (10 PCS.) | 2 | |
| 68 | 324419 | STOPPER PIN ASS'Y | 1 | INCLUD. 69 |
| 69 | 872645 | O-RING (P-9) | 1 | |

* ALTERNATIVE PARTS

HIKOKI

MITER SAW C12RSH3

| Item No. | Code No. | Description | No. Used | Remarks |
|----------|----------|---|----------|-----------------|
| 70 | 324058 | HINGE COVER | 1 | |
| 71 | 324387 | HINGE SHAFT (A) | 1 | |
| 72 | 949237 | MACHINE SCREW M5X12 (10 PCS.) | 1 | |
| 73 | 380842 | SPACER | 1 | |
| 74 | 380841 | LINK | 1 | |
| 75 | 380816 | BEVEL SCALE | 1 | |
| 76 | 324420 | SET PIN (A) | 1 | |
| 77 | 380851 | LINER | 1 | |
| 78 | 324421 | GRIP | 1 | |
| 79 | 307294 | MACHINE SCREW (W/WASHERS) M5X16 (BLACK) | 1 | |
| 80 | 371741 | NYLON NUT M12 | 1 | |
| 81 | 955818 | BOLT WASHER M16 | 2 | |
| 82 | 324401 | SHAFT (B) | 1 | |
| 83 | 324402 | SPRING (B) | 1 | |
| 84 | 318927 | INDICATOR (A) | 1 | |
| 86 | 380824 | MACHINE SCREW M5X12 (BLACK) | 6 | |
| 87 | 380817 | TABLE INSERT | 2 | |
| 88 | 380808 | TURN TABLE | 1 | |
| 89 | | OPERATION LABEL | 1 | |
| 90 | 339620 | CLUTCH SPRING | 1 | |
| 91 | 339621 | CLUTCH SCREW | 1 | |
| 92 | 949821 | HEX. SOCKET HD. BOLT M5X16 (10 PCS.) | 1 | |
| 93 | 380845 | JOINT (A) | 1 | |
| 94 | 380844 | BEVEL LOCK HANDLE | 1 | |
| 95 | 324400 | LINER | 3 | |
| 96 | 380810 | SPRING PLATE | 1 | |
| 97 | 983564 | PIN D6 | 1 | |
| 98 | 321339 | LEVER SHAFT | 1 | |
| 99 | 380809 | SPACER (A) | 1 | |
| 100 | 380813 | DETENT LEVER | 1 | |
| 101 | 381530 | SPRING | 1 | |
| 102 | 380814 | LOCK SHAFT (A) | 1 | |
| 103 | 380812 | MITER LOCK HANDLE | 1 | |
| 104 | 319541 | SEAL LOCK HEX. SOCKET SET SCREW M5X6 | 1 | |
| 105 | 946362 | BEARING LOCK | 1 | |
| 106 | 380811 | POSITIVE STOP LEVER | 1 | |
| 107 | 380815 | LOCK SHAFT (B) | 1 | |
| 108 | 371739 | NYLON NUT M8 | 1 | |
| 121 | 945161 | BRUSH CAP | 2 | |
| *122 | 999065 | CARBON BRUSH (1 PAIR) | 2 | FOR 220V-240V |
| 123 | | NAME PLATE | 1 | |
| 124 | 339643 | HOUSING ASS'Y | 1 | INCLUD. 125,126 |
| 125 | 938241 | BRUSH HOLDER | 2 | |
| 126 | 938477 | HEX. SOCKET SET SCREW M5X8 | 2 | |
| *128 | 340925E | STATOR ASS'Y (B) 220V-240V | 1 | INCLUD. 129 |
| 129 | 937623 | BRUSH TERMINAL | 2 | |
| 130 | 339734 | END PLATE | 1 | |
| 131 | 339642 | FAN GUIDE | 1 | |
| *132 | 361021D | ARMATURE ASS'Y 240V | 1 | INCLUD. 133-135 |
| 133 | 6000VV | BALL BEARING 6000VVCMP2L | 1 | |
| 134 | 6201VV | BALL BEARING 6201VV | 1 | |
| 135 | 378182 | PULLEY (A) | 1 | |
| *136 | 380834 | HANDLE (L).(R) SET | 1 | |

* ALTERNATIVE PARTS

HIKOKI

MITER SAW C12RSH3

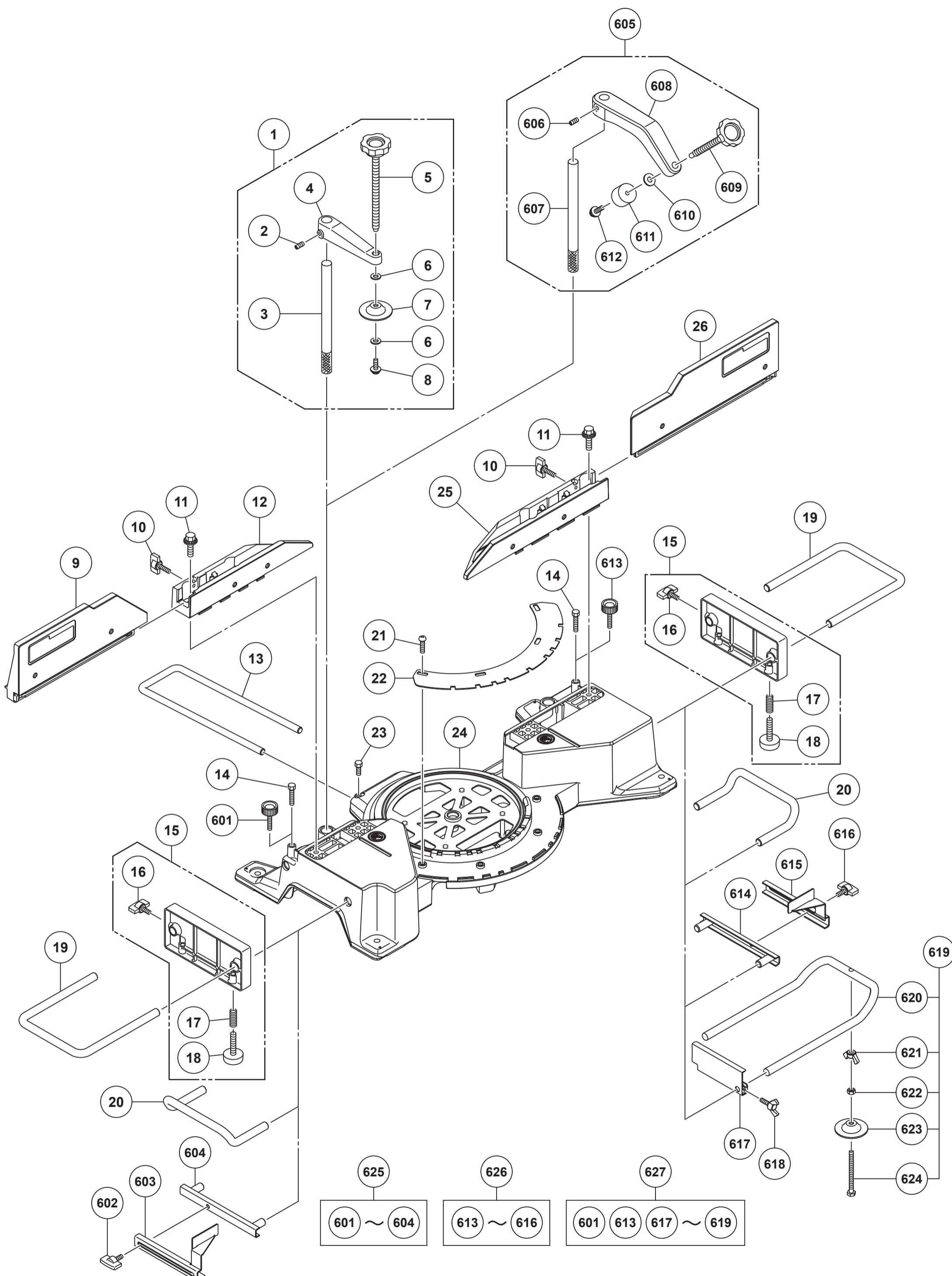
| Item No. | Code No. | Description | No. Used | Remarks |
|----------|----------|---|----------|-----------------------------------|
| 137 | 301653 | TAPPING SCREW (W/FLANGE) D4X20 (BLACK) | 8 | |
| *138 | 319503 | SWITCH (W/COVER) | 1 | EXCEPT FOR USA,CAN |
| 139 | 880734 | MACHINE SCREW (W/WASHERS) M5X25 (BLACK) | 4 | |
| *140 | 500439Z | CORD | 1 | (CORD ARMOR D10.1) FOR AUS,NZL |
| 141 | 305558 | TAPPING SCREW (W/FLANGE) D5X25 (BLACK) | 4 | |
| *142 | 380830 | POWER SUPPLY (A) | 1 | |
| 143 | 984750 | TAPPING SCREW (W/FLANGE) D4X16 | 3 | |
| 144 | 938051 | CORD ARMOR D10.1 | 1 | |
| 145 | 937631 | CORD CLIP | 1 | |
| 146 | 324518 | FERRITE CORE | 1 | EXCEPT FOR USA,CAN |
| *147 | 324458 | INTERNAL WIRE (C) | 1 | EXCEPT FOR USA,CAN |
| 148 | 380832 | LED | 1 | |
| 149 | 959141 | CONNECTOR 50092 (10 PCS.) | 4 | |
| *150 | 334380 | NOISE SUPPRESSOR | 1 | EXCEPT FOR GBR(110V),TPE,USA,CAN, |
| *151 | 975144 | CABLE TIE | 2 | FOR EUROPE,GBR,AUS,NZL,SAF |
| 152 | 324427 | BELT (200H10) 16X508 | 1 | |
| 153 | 988821 | LOCK SPRING | 2 | |
| 154 | 307732 | STOPPER PIN | 1 | |
| 155 | 339641 | PINION SET | 1 | |
| 156 | 949322 | FLAT HD. SCREW M4X10 (10 PCS.) | 4 | |
| 157 | 983545 | NEEDLE ROLLER | 2 | |
| 158 | 325259 | BEARING HOLDER (B) | 1 | |
| 159 | 995096 | MACHINE SCREW (W/WASHERS) M5X20 (BLACK) | 2 | |
| 160 | 961468 | KNOB BOLT M6X37 | 1 | |
| 161 | 303409 | NYLOCK BOLT M8X25 | 1 | |
| *162 | 380833 | GEAR CASE | 1 | |
| 163 | 877839 | SEAL LOCK HEX. SOCKET HD. BOLT M5X10 | 1 | |
| 164 | 935196 | MACHINE SCREW (W/WASHERS) M4X12 (BLACK) | 1 | |
| 166 | 324388 | SLEEVE | 1 | |
| 167 | 310898 | SPRING | 1 | |
| 168 | 307956 | SEAL LOCK HEX. SOCKET SET SCREW M6X10 | 1 | |
| 169 | 949260 | MACHINE SCREW M6X25 (10 PCS.) | 1 | |
| 170 | 606ZZM | BALL BEARING 606VV | 2 | |
| 171 | 949455 | SPRING WASHER M6 (10 PCS.) | 1 | |
| 172 | 949425 | WASHER M6 (10 PCS.) | 1 | |
| 173 | 339648 | GUIDE HOLDER | 1 | |
| 174 | 339649 | DUST GUIDE | 1 | |
| 175 | 380840 | LEFT HEX. SOCKET BOLT M10 | 1 | |
| *176 | 339652 | WASHER (B) | 1 | |
| *177 | 328326 | TCT SAW BLADE 305MM-D25.4 HOLE-NT60 | 1 | FOR AUS,NZL,TPE,IND |
| *178 | 324452 | WASHER (A) | 1 | |
| 179 | 307731 | COVER | 1 | |
| 180 | 380843 | LOWER GUARD | 1 | |
| 181 | 375141 | RETURN SPRING (B) | 1 | |
| 182 | 324438 | SPINDLE ASS'Y | 1 | INCLUD.183-185 |
| 183 | 327694 | BALL BEARING 6003VVCM (NYLON RETAINER) | 1 | |
| 184 | 324439 | BEARING HOLDER | 1 | |
| 185 | 333945 | BALL BEARING 608VV | 1 | |
| 186 | 333963 | MACHINE SCREW (W/SP. WASHER) M5X20 | 2 | |
| *187 | 334474 | SWITCH | 1 | |
| 188 | 339636 | INTERNAL WIRE (A) | 1 | |
| *189 | 380837 | SWITCH HANDLE (L).(R) SET | 1 | |
| | | STANDARD ACCESSORIES | | |

* ALTERNATIVE PARTS

HIKOKI**MITER SAW C12RSH3**

| Item No. | Code No. | Description | No. Used | Remarks |
|----------|----------|---|----------|--------------------|
| *501 | 322955 | DUST BAG (BLACK) | 1 | |
| 502 | 955857 | HEX. BAR WRENCH 8MM | 1 | |
| *503 | 328520 | WASHER (C) | 1 | FOR AUS |
| | | OPTIONAL ACCESSORIES | | |
| 601 | 960017 | KNOB BOLT M6X32 | 1 | |
| 602 | 301806 | WING BOLT M6X15 | 1 | |
| 603 | | CROWN MOLDING STOPPER (L) | 1 | |
| 604 | 321390 | CROWN MOLDING STOPPER HOLDER | 1 | |
| 605 | 339660 | WISE (B) ASS'Y | 1 | INCLUD.606-612 |
| 606 | 307956 | SEAL LOCK HEX. SOCKET SET SCREW M6X10 | 1 | |
| 607 | 339626 | WISE SHAFT | 1 | |
| 608 | 339661 | SCREW HOLDER (B) | 1 | |
| 609 | 339662 | KNOB BOLT M10 | 1 | |
| 610 | 322677 | WASHER (H) | 1 | |
| 611 | 964851 | BASE RUBBER | 1 | |
| 612 | 304043 | MACHINE SCREW (W/WASHERS) M4X10 (BLACK) | 1 | |
| 613 | 960017 | KNOB BOLT M6X32 | 1 | |
| 614 | 321390 | CROWN MOLDING STOPPER HOLDER | 1 | |
| 615 | | CROWN MOLDING STOPPER (R) | 1 | |
| 616 | 301806 | WING BOLT M6X15 | 1 | |
| 617 | 974561 | STOPPER | 1 | |
| 618 | 949404 | WING BOLT M6X20 (10 PCS.) | 1 | |
| 619 | 324464 | HOLDER ASS'Y | 2 | INCLUD.620-624 |
| 620 | 321549 | HOLDER | 2 | |
| 621 | 949313 | WING NUT M6 (10 PCS.) | 2 | |
| 622 | 949556 | NUT M6 (10 PCS.) | 2 | |
| 623 | 322047 | WISE PLATE | 2 | |
| 624 | 324412 | HIGH TENSION BOLT M6X95 | 2 | |
| 625 | 339730 | CROWN MOLDING STOPPER (L) ASS'Y | 1 | INCLUD.601-604 |
| 626 | 339731 | CROWN MOLDING STOPPER (R) ASS'Y | 1 | INCLUD.613-616 |
| 627 | 324369 | EXTENSION HOLDER AND STOPPER | 1 | INCLUD.613,617-619 |
| | | | | |

* ALTERNATIVE PARTS



601 ~ 604

613 ~ 616

601 613 617 ~ 619

