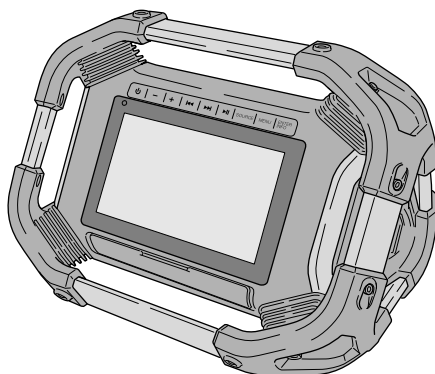


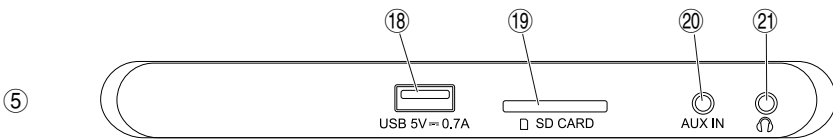
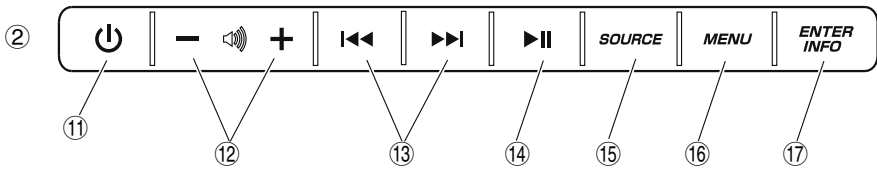
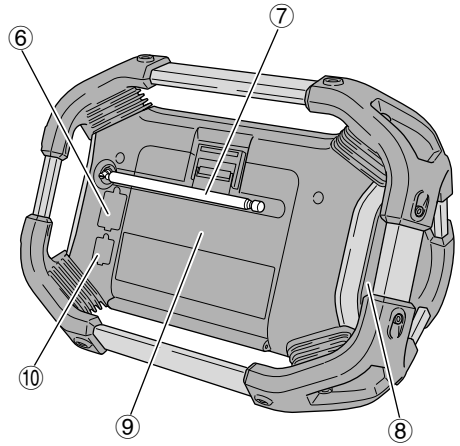
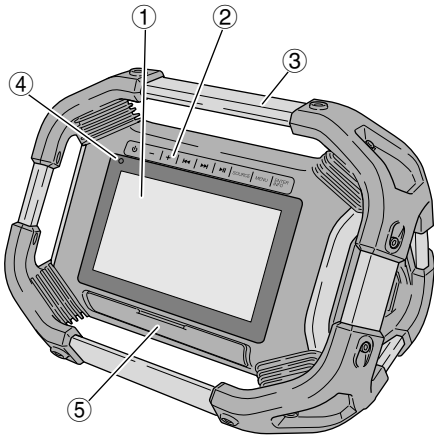
HIKOKI

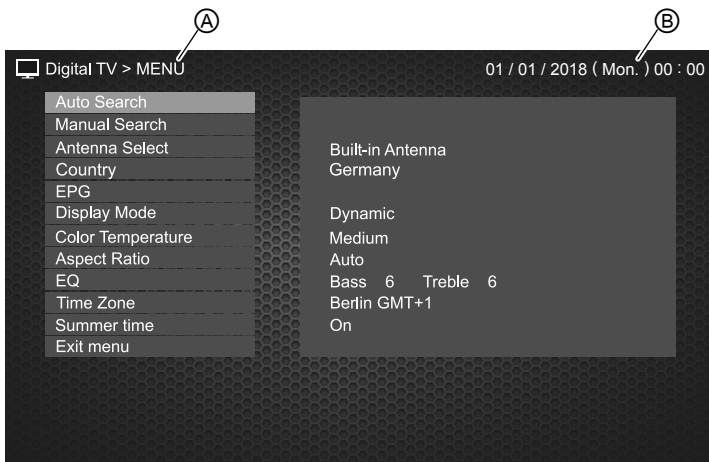
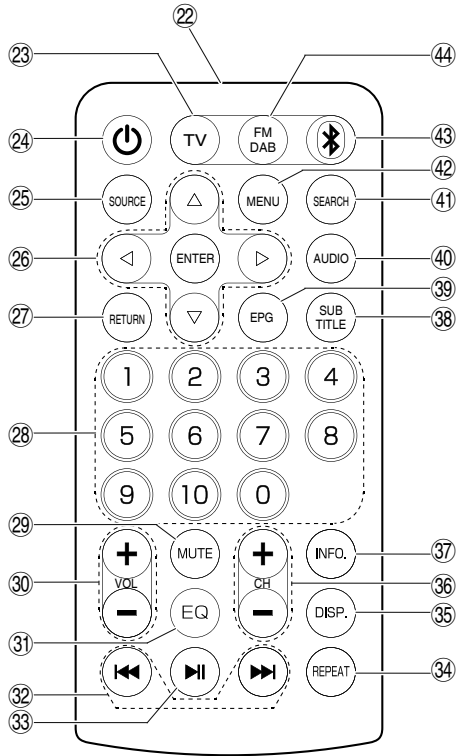
UR 18DSML

Cordless TV & radio

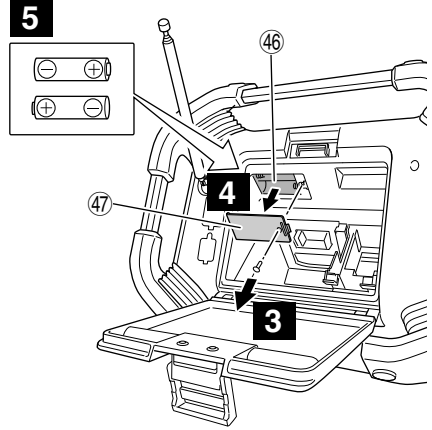
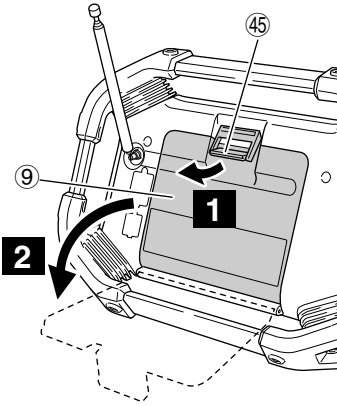
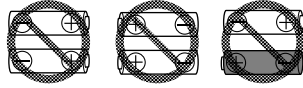


Handling instructions

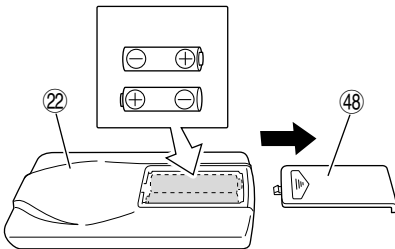




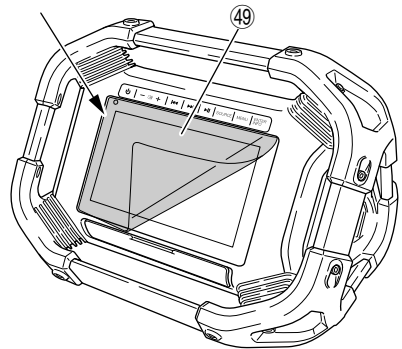
1

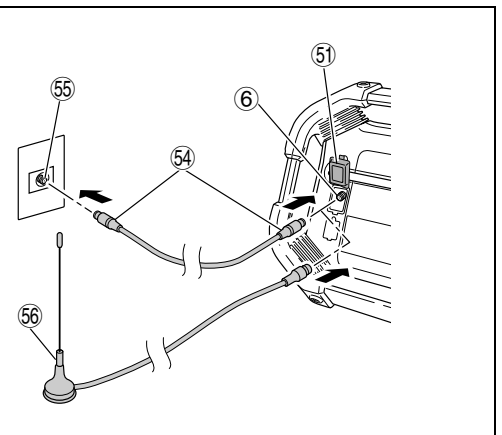
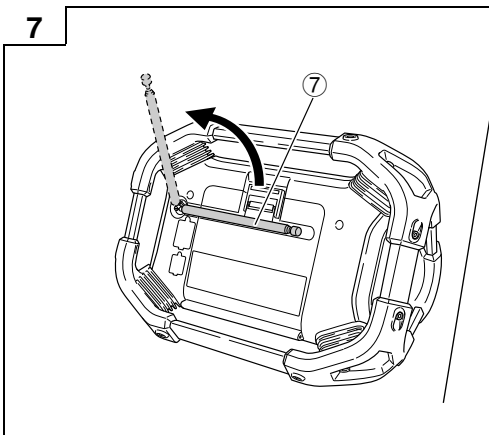
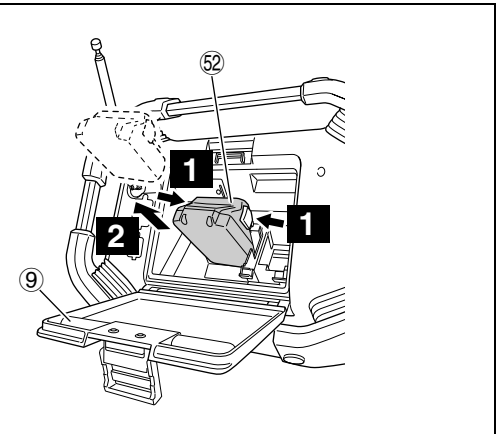
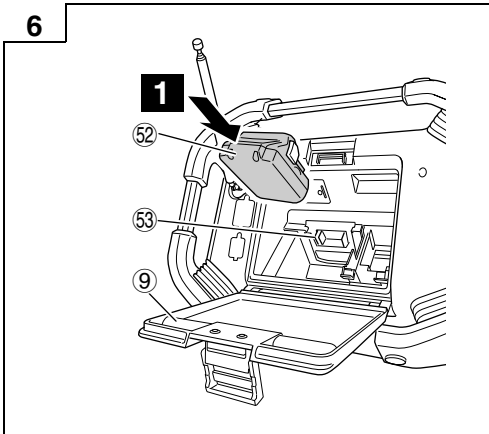
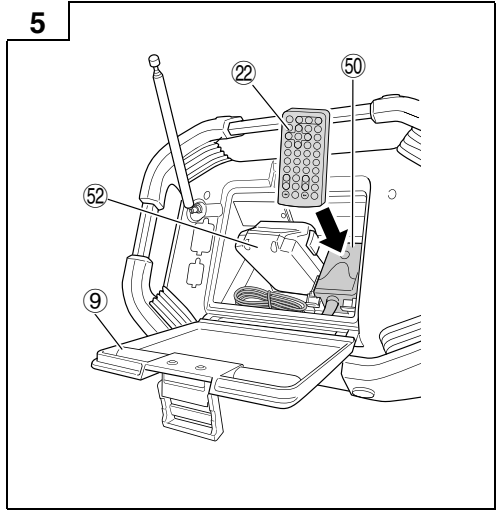
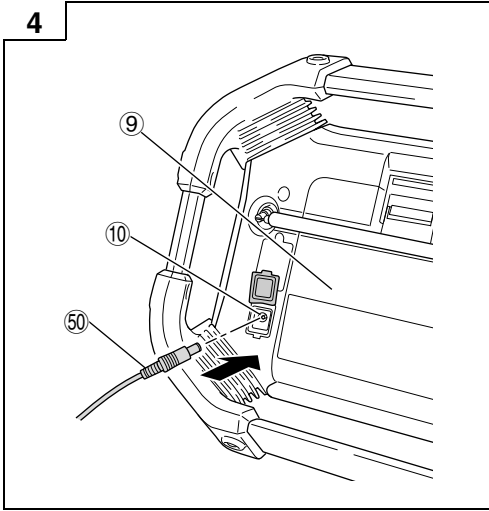


2

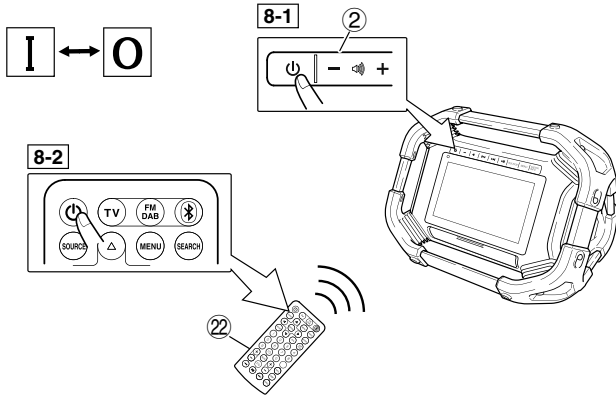


3

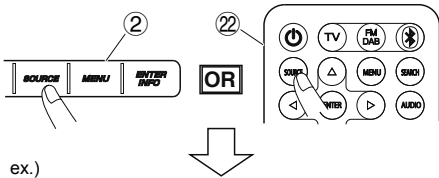




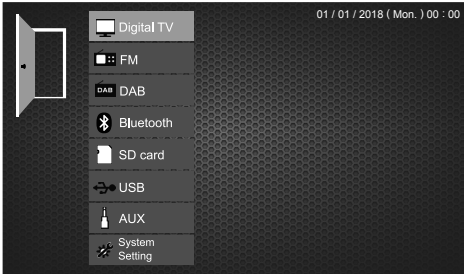
8



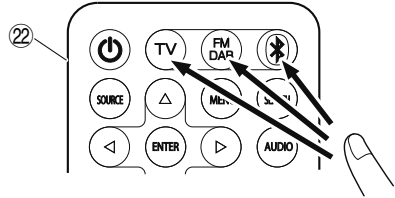
9



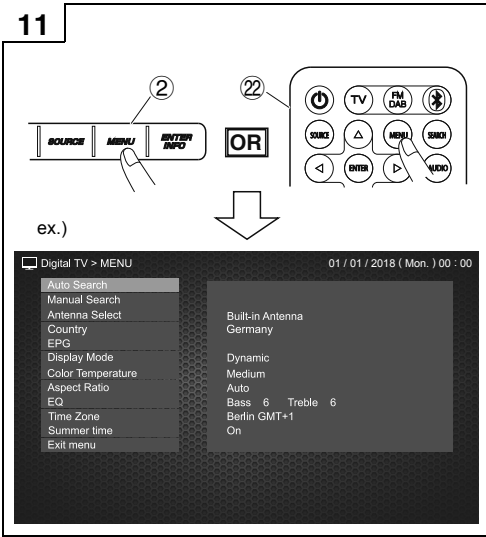
ex.)



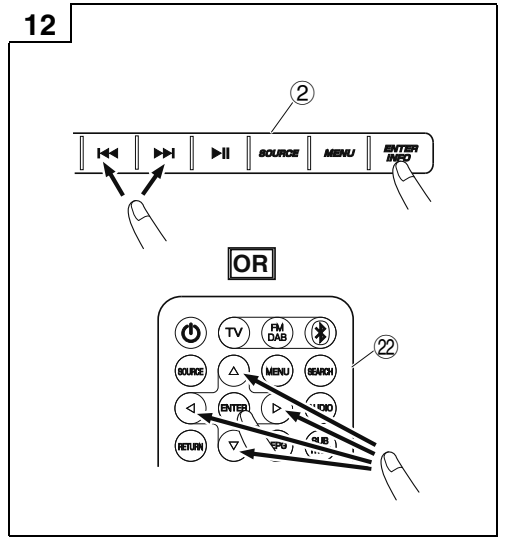
10



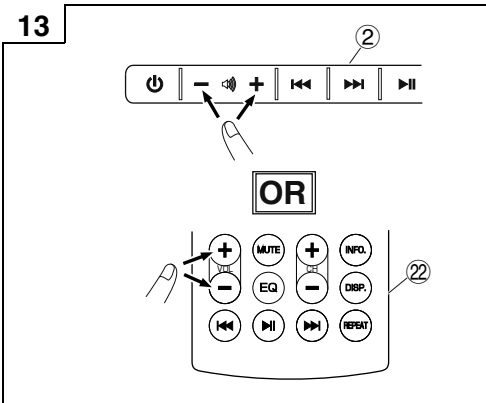
11



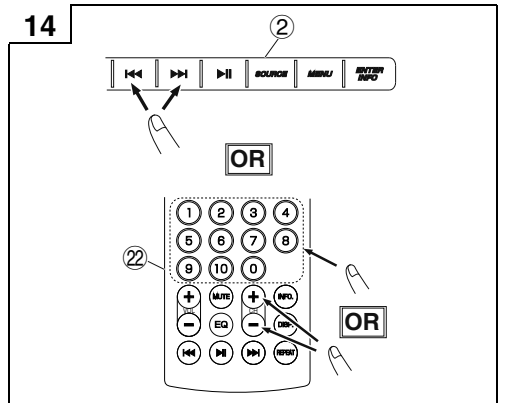
12



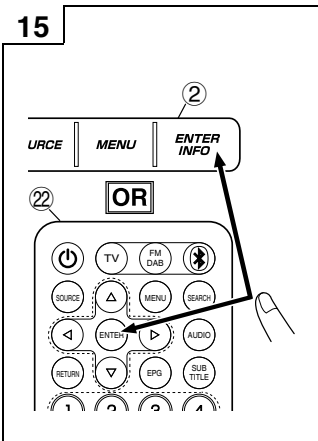
13



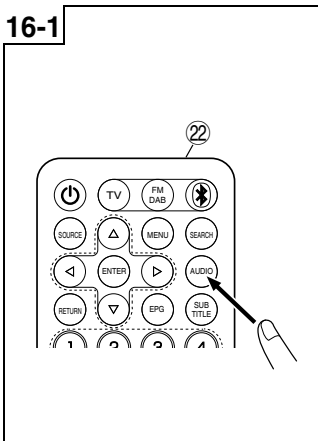
14



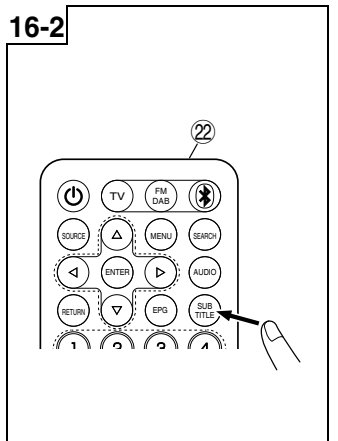
15



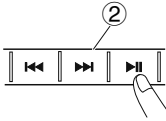
16-1



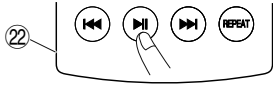
16-2



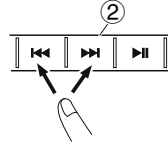
17



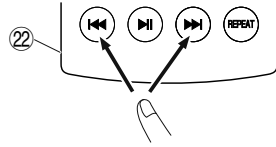
OR



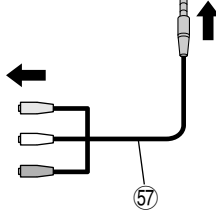
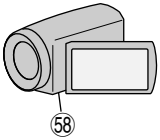
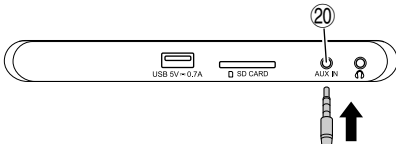
18



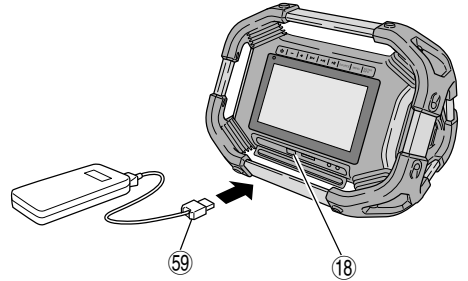
OR



19



20



UR18DSML



1



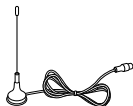
1



2



2



1



1

CORDLESS TV & RADIO SAFETY WARNINGS

WARNING

Read all safety warnings and all instructions.

Failure to follow the warnings and instructions may result in electric shock, fire and/or serious injury.

Save all warnings and instructions for future reference.

1. Use only the specified power supply voltage.

- Use of any other voltage may lead to fire or electric shock.

2. Avoid damaging the AC adapter cord.

- Do not modify, forcibly bend, twist or pull the cord, place heavy objects on it or place it near heating appliances.
- When not in use, remove the power plug (AC adapter) from the electric socket and from the TV & radio. Failure to do so may lead to electric shock or fire.

3. Do not touch the power plug (AC adapter) with wet hands.

- Doing so may result in electric shock.

4. Do not use the TV & radio in the bathroom or shower.

- Do not use the TV & radio in wet or damp places or in the rain.
- Doing so may result in electric shock, emission of smoke or malfunction.

5. Do not touch the FM antenna or power plug (AC adapter) during thunderstorms.

- Doing so may result in electric shock.

6. Do not disassemble or modify the TV & radio.

- Doing so may result in electric shock or fire. Inspections and repairs should be performed by the store where purchased or by a HiKOKI power tool service center.

7. Insert the power plug (AC adapter) securely as far as it will go.

- Dust or dirt between the power plug and the electric socket may lead to fire. Remove the power plug periodically and wipe off any dust or dirt with a dry cloth.

8. Do not let any unspecified objects or water get inside the TV & radio body.

- With the exception of the AC adapter and the rechargeable battery, if any metal or flammable object or water gets inside the back door, it may lead to electric shock or fire.
- Take care to prevent iron powder from the bass reflex speakers, dust or water getting into the TV & radio.

9. Do not sit or stand on the TV & radio.

- Doing so may lead to accidents or malfunction.

10. Do not place the TV & radio on an unstable surface or in a high place. Do not hang the TV & radio from the handle.

- The TV & radio may fall and cause injury or malfunction.

11. When no slide battery is loaded, attach the slide terminal cover to the terminal to prevent cuts and other injuries that may result from touching the terminal area.

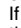
12. Handle the backup batteries with care.

- Danger of explosion if battery is incorrectly replaced. Replace only with the same or equivalent type.
- Incorrect handling of the batteries may result in rupture or leakage, leading to fire, injury or pollution of the surrounding area. Be sure to observe the following precautions.
 - Use only the specified batteries

- Do not heat or disassemble the batteries
- Do not throw the batteries into fire or water
- Do not burn batteries or dispose them as household waste.
- Do not charge the batteries
- Make sure the batteries are correctly oriented and avoid short-circuiting
- Do not reuse batteries or use different types of battery
- Remove the batteries when the TV & radio is not in use

In the event of leakage from the batteries, wipe the battery case clean.

Should any battery fluid get on your body, wash it off carefully.

If  is displayed when you turn the power on with the rechargeable battery inserted, the battery power is low.

Power the TV & radio from the AC adapter or insert a charged battery.

13. Recharge only with the charger specified by the manufacturer.

- A charger that is suitable for one type of rechargeable battery may create a risk of fire when used with another battery.

14. Use the TV & radio only with specifically designated rechargeable battery.

- Use of any other rechargeable battery may create a risk of injury and fire.

15. When rechargeable battery is not in use, keep it away from other metal objects like paper clips, coins, keys, nails, screws, or other small metal objects that can make a connection from one terminal to another.

- Shorting the battery terminals together may cause burns or a fire.

16. Under abusive conditions, liquid may be ejected from the battery; avoid contact. If contact accidentally occurs, flush with water. If liquid contacts eyes, additionally seek medical help.

- Liquid ejected from the battery may cause irritation or burns.

17. Have your TV & radio serviced by a qualified repair person using only identical replacement parts.

- This will ensure that the safety of the TV & radio is maintained.

18. The main unit and adapter shall not be exposed to dripping or splashing and that no objects filled with liquids, such as vases, shall be placed on the unit and adapter.

19. The batteries (battery pack or batteries installed) shall not be exposed to excessive heat such as sunshine, fire or the like.

20. The MAINS plug of adapter is used as the disconnect device, the disconnect device shall remain readily operable.

21. Do not keep batteries or memory cards in a location within the reach of small children.

- If a battery or memory card is accidentally swallowed, it may cause choking and/or injury. If this happens, seek medical attention immediately.

22. Operating Temperature: -5 – 40°C

PROTECTING YOUR HEARING

Continuous exposure to loud noise may result in permanent hearing loss. The louder the volume, the shorter the time in which hearing loss may occur.

If you listen to large volume sound over a long period of time, your ears will become accustomed to it. This creates the illusion that the volume level is appropriate, despite the fact that it may be damaging your hearing.

Observe the following to prevent hearing loss.

CAUTION

1. **Make sure you give your ears a rest by taking regular breaks and not listening for long periods of time.**

Even when set at safe volume levels, listening continuously over long periods of time may cause hearing loss.

2. **Be careful not to increase the volume as your hearing adapts to the sound output.**

Beware of being accustomed to a certain volume level. Adjust the volume to a safe level before your ears become accustomed to loud volumes.

3. **If your ears begin to ring, if you feel any discomfort, or if conversation seems faint or indistinct, discontinue listening to music and have your ears examined by a doctor.**

4. **Do not turn the volume up too high when using headphones or earphones.**

Listening to the TV & radio for a long time at a high volume may result in hearing impairment.

PRECAUTIONS WHEN CONNECTING TO EXTERNAL EQUIPMENT

Unexpected problems may result in the loss or corruption of data stored in smartphones and other peripheral equipment connected to the TV & radio. With this possibility in mind, a backup of the data should always be made in advance.

Note that HiKOKI cannot be held responsible for the corruption or loss of data stored within smartphones and other peripheral equipment connected to the TV & radio, nor any damage to the equipment itself.

CAUTION ABOUT CONDENSATION (DEW)

If the TV & radio is suddenly brought from the cold outdoors into a warm room in the winter, or from a cool room to the hot and humid outdoors in the summer, condensation may form inside the TV & radio.

Turning on the TV & radio's power while there are water droplets inside may result in a malfunction. Be careful not to subject the TV & radio to sudden and/or extreme temperature changes.

If water droplets do form, stop using the TV & radio immediately. Before using it again, wait until the water droplets evaporate, or gradually raise the temperature of the room until the TV & radio dries.

LICENCE AND TRADEMARK

This product is protected by certain intellectual property right of Microsoft. Use or distribution of such technology outside of this product is prohibited without a licence from Microsoft.

THIS PRODUCT IS LICENSED UNDER THE MPEG-4 VISUAL PATENT PORTFOLIO LICENCE FOR THE PERSONAL AND NON-COMMERCIAL USE OF A CONSUMER FOR

(i) ENCODING VIDEO IN COMPLIANCE WITH THE MPEG-4 VISUAL STANDARD ('MPEG-4 VIDEO') AND/OR

(ii) DECODING MPEG-4 VIDEO THAT WAS ENCODED BY A CONSUMER ENGAGED IN A PERSONAL AND NONCOMMERCIAL ACTIVITY AND/OR WAS OBTAINED FROM A VIDEO PROVIDER LICENSED BY MPEG LA TO PROVIDE MPEG-4 VIDEO.

NO LICENCE IS GRANTED OR SHALL BE IMPLIED FOR ANY OTHER USE.

ADDITIONAL INFORMATION INCLUDING THAT RELATING TO PROMOTIONAL, INTERNAL AND

COMMERCIAL USES AND LICENSING MAY BE OBTAINED FROM MPEG LA, LLC. SEE [HTTP://WWW.MPEGLA.COM](http://www.mpegla.com).

THIS PRODUCT IS LICENSED UNDER THE AVC PATENT PORTFOLIO LICENCE FOR THE PERSONAL USE OF A CONSUMER OR OTHER USES IN WHICH IT DOES NOT RECEIVE REMUNERATION TO (i) ENCODE VIDEO IN COMPLIANCE WITH THE AVC STANDARD ("AVC VIDEO") AND/OR (ii) DECODE AVC VIDEO THAT WAS ENCODED BY A CONSUMER ENGAGED IN A PERSONAL ACTIVITY AND/OR WAS OBTAINED FROM A VIDEO PROVIDER LICENSED TO PROVIDE AVC VIDEO.

NO LICENCE IS GRANTED OR SHALL BE IMPLIED FOR ANY OTHER USE.



ADDITIONAL INFORMATION MAY BE OBTAINED FROM MPEG LA, L.L.C. SEE [HTTP://WWW.MPEGLA.COM](http://www.mpegla.com).

MPEG Layer-3 audio decoding technology is licensed from Fraunhofer IIS and Thomson Licensing.

Covered by one or more claims of the patents listed at patentlist.hevcadvance.com.

SD CARDS AND USB DEVICES SUPPORTED FOR PLAYBACK

Check the specifications and the usage instructions for SD cards and USB devices, and ensure that you use them correctly.

Type	SD memory card	SDHC memory card	USB memory device
Logo			-
Format	FAT16, FAT32		
Playable file formats	VIDEO	MPEG2, MPEG4, H.264	
	AUDIO	MP3, AAC	
	PHOTO	JPEG, BMP	

NOTE

- SD memory cards and SDHC memory cards are referred to as "SD cards" in this manual.
- Be sure to place miniSD cards and microSD/microSDHC cards in an SD card adapter before inserting them into the TV & radio.
- Do not insert unsupported types of memory cards into the TV & radio. Inserting an incompatible memory card may result in a malfunction or damage to the TV & radio as well as the memory card.
- Even if an SD card is of the type described above, it may not be usable depending on its format and the usage conditions. If a card isn't able to be read properly, eject it from the TV & radio.
- The specifications do not allow importing files when the SD card is locked.
Unlock the card to import files.
- Do not connect unsupported USB devices.
- Not all USB devices are guaranteed to be connectable.
- Do not remove or insert SD cards or USB devices during playback. Doing so may result in malfunction of the TV, the SD card, or the USB device.
- SD and SDHC are trademarks of SD-3C, LLC.
- This product is protected by certain intellectual property rights of Microsoft. Use or distribution of such technology outside of this product is prohibited without a license from Microsoft.

CAUTION

- Data saved on a connected SD card and a USB memory device could be corrupted in an unforeseen accident. Always back up data to guard against possible loss.
- Do not turn the power off or remove an SD card or USB memory device while an SD card or USB memory device is being read or played back. There is a risk that recorded data could be corrupted.

MAIN FUNCTIONS

Source		Main functions
Digital TV		Watch terrestrial digital broadcasts
FM		Listen to FM radio
DAB		Listen to digital radio
Bluetooth		Playback of Bluetooth devices
SD card	VIDEO	Watch videos, listen to music, and view photos on an SD card
	AUDIO	
	PHOTO	
USB	VIDEO	Watch videos, listen to music, and view photos on a USB memory device
	AUDIO	
	PHOTO	
AUX		Play back video and audio from video cameras, portable music players, etc.
System Setting		Set the current time and date, reset the system to default settings, and update software

- Smartphone and cell phone recharging
- Compatibility with HiKOKI power tool rechargeable battery and AC adapter

SPECIFICATIONS

Frequency band	TV: 170 to 230 MHz, 470 to 860 MHz DAB / DAB+: 174.928 to 239.200 MHz (BAND III) FM: 87.5 to 108 MHz
Antenna	Rod antenna (For TV and FM)
External antenna port	75 Ω PAL-type connector (For TV and DAB / DAB+)
Headphone port	Φ3.5mm stereo minijack
SD card port	Supports SD / SDHC (up to 32 GB)
USB port	USB 2.0 (power supplied: DC 5 V, up to 0.7 A)
AUX input port	Φ3.5mm (video + audio)
Speakers	90 mm (8 Ω) × 2
LCD size	8 inch
Pixel dimensions	W 1024 x H 600
Max. power output	7 W × 2

Power supply	Slide battery: DC 14.4 V, 18 V
	Household power supply (using provided AC adapter)
	Backup batteries: DC 3 V, two AA batteries
Bluetooth	Bluetooth Ver. 4.0 Profile: A2DP (Advanced Audio Distribution Profile) AVRCP (AV Remote Control Profile) Send/receive Sensitivity: Class 2 Bluetooth frequency range: 2402-2480MHz Bluetooth maximum RF power: BT2.1:-0.47dBm, BT4.0(BLE):0.9dBm
Exterior dimensions	L 405 mm x W 305 mm x H 265 mm (with antenna refracted)
Weight	4.2 kg

- For applicable power supplies see user instructions: Applicable power suppliers: (Manufacture) Dong Guan Sun Hung Kin Electrical Co., Ltd (Model) HKP18-1202000dV, HKP18-1202000dB (Input) 100V-240V ~50/60Hz 0.68Amax (Output) 12V = 2A
- Only below slide battery could be used (Model) BSL1430:14.4V 3000mAh Lithium battery (Model) BSL1830:18V 3000mAh Lithium battery (Manufacture) Koki Holdings Co., Ltd.

NAMES OF PARTS AND BUTTON FUNCTIONS

	Names of parts	Functions
①	Display	-
②	Operation panel	-
③	Handle	-
④	Remote control sensor	-
⑤	External device connection ports	-
⑥	External antenna port	-
⑦	Antenna	-
⑧	Speaker	-
⑨	Rear cover	-
⑩	AC adapter port	-
⑪	Power button	Switches Power ON/OFF
⑫	Volume button	Raises or lowers volume
⑬	Skip button	• Item selection • Selecting songs on external devices • Changes channel
⑭	Play / Stop button	Plays or stops playing
⑮	Source select button	Displays Source screen
⑯	Menu button	Displays Menu screen





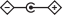



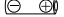








17	Enter / Information button	<ul style="list-style-type: none"> Enters selected item Displays Information
18	USB port	-
19	SD card port	-
20	AUX input port	-
21	Headphone port	-
22	Remote control	-
23	TV button	Activates TV
24	Stand-by button	Switches stand-by ON or OFF
25	Source select button	Displays Source screen
26	Select / enter button	Selects or enters item
27	Return button	Returns control
28	Number buttons	Selects numbers for channels
29	Mute button	Mutes sounds
30	Volume button	Raises or lowers volume
31	EQ button	Displays sound quality setting screen
32	Skip button	<ul style="list-style-type: none"> Selecting songs on external devices Changes FM frequency
33	Play / Stop button	Plays or stops playing
34	Repeat button	Repeats playback
35	Display button	Displays picture quality setting screen
36	Channel button	Changes channels
37	Information button	Displays Information
38	Sub title button	Displays subtitle language setting screen
39	EPG button	Displays TV program list
40	Audio button	Displays Audio language setting screen
41	Search button	Runs Auto Search
42	Menu button	Displays Menu screen
43	Bluetooth button	Activates Bluetooth
44	FM DAB button	Activates FM/DAB
45	Tab	-
46	AA Battery box	-
47	Lid	-
48	Remote control Lid	-
49	Protection sheet for display	-
50	AC adapter	-
51	Rubber cover	-
52	Battery	-
53	Terminals	-
54	Cable for terrestrial digital antenna	-
55	Indoor antenna port	-



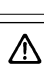


56	External Antenna	-
57	Cable for AUX port	-
58	External device	-
59	USB cable	-
A	Source / menu indicator	-
B	Clock	-

SYMBOLS

WARNING

The following show symbols used for the machine. Be sure that you understand their meaning before use.

	UR18DSML : Cordless TV & radio
	<p>WARNING</p> <p>- To reduce the risk of injury, user must read instruction manual</p>
	<p>Only for EU countries</p> <p>Do not dispose of electric tools together with household waste material!</p> <p>In observance of European Directive 2002/96/EC on waste electrical and electronic equipment and its implementation in accordance with national law, electric tools that have reached the end of their life must be collected separately and returned to an environmentally compatible recycling facility.</p>
	Indoor use only
	Polarity of output terminals
	Class II equipment
	AC (Alternating Current)
	DC (Direct Current)
	New battery
	Old/used battery
	Can be performed on either the TV body's operation panel or the remote control
ex.)	Example
	Switching ON
	Switching OFF
	Push
	Source
	Settings item
	Battery exhausted indicator

	AA batteries
	AAA batteries for the remote control
	Protection sheet for display
	Warning
	Prohibited action

For information about the operation buttons, refer to "NAMES OF PARTS AND BUTTON FUNCTIONS".

STANDARD ACCESSORIES

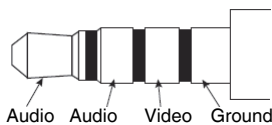
In addition to the main unit (1 unit), the package contains the accessories listed on page 9.

Standard accessories are subject to change without notice.

PRIOR TO OPERATION

Action	Figure	Page
Installing backup batteries*1	1	4
Installing batteries in the remote control	2	4
Attaching the protection sheet for display	3	4
AC adapter installation*2	4	5
Storing the AC adapter and remote control	5	5
Inserting and removing the battery*3	6	5
Preparing the antenna*4	7	5

- In order to connect a device that supports video output such as a video camera or a DVD player, use a 4-pole mini-plug cable that includes a video connection.



* 1: Time settings and TV & radio station frequencies can be saved by installing batteries in the unit.

* 2:


NOTE

- When used together with the batteries, the AC adapter is the main power source and no battery power is consumed.
- When used together with the AC adapter, the batteries will not recharge as this device has no recharge function.

CAUTION

Do not touch the terminals.
Doing so may result in cuts to the hand or other injuries.
Only a 1.4 V or 18 V slide-type battery can be used with this device. (BSL36B18 cannot be used)

NOTE

- Do not apply any excessive pressure when inserting the battery. If the battery does not easily slide into place, it is not being inserted properly.
Check to see if the battery is facing the correct direction and that there is nothing obstructing the path of insertion.
 - If  is displayed when the device is switched on following battery installation, the battery charge is low. In this situation, either use the AC adapter or install a fully charged battery.
- * 4: Use the built-in antenna or the connector for an external connector.
Adjust direction, length and angle of the antenna while checking reception condition.

WATCHING TV OR LISTENING TO FM/DAB

1. Select the source you want to listen to (Digital TV, FM or DAB)
2. Selecting an antenna
Use "Antenna Select" to select Built-in or External antenna.
Adjust antenna orientation, length, angle and position.
3. Set a channel.
Use "Auto Search" to select.
For TV, it is also possible to use "Manual Search" to set channels.
4. Select the desired station.

NOTE

- Reception in some locations and areas can be poor or non-existent.
- With the TV, you will not be able to set up channels if the Country setting is incorrect.
- The TV & radio can only receive non encrypted free TV channels.

CONNECTING WITH BLUETOOTH DEVICES

1. Pairing (Registering devices)

Pairing is required for Bluetooth communication.
Set your Bluetooth device to pairing mode.

(For instructions on pairing, see the manual for the Bluetooth device to be used.)

2. Set the TV & radio for pairing mode

Switch the source to "Bluetooth".

"Bluetooth Ready" is displayed on the screen, and the machine enters pairing standby mode.

Select "UR18DSML" on your Bluetooth device's list of connected devices to complete the pairing.

3. Input pass key

Some Bluetooth devices may require pass key input when connecting.

If this should be the case, input "0000".

Also, if connection authorization is requested, input "authorized".

Connection is successful once "Connected" is displayed.

NOTE

- Once paired, connection will be automatically established the next time the devices are switched on. If the Bluetooth connection is lost, re-pair the devices.
- No more than two devices can be paired simultaneously.
- Connection with all Bluetooth devices cannot be guaranteed. Before attempting connection, always check for compatibility.
- The Bluetooth® word mark and logos are registered trademarks owned by Bluetooth SIG, Inc.

OPERATION

Action	Figure	Page
Turning the power ON/OFF*1	8-1	6
Turning the stand-by ON/OFF*2	8-2	6
Displays Source screen*3	9	6
Remote control selection of Digital TV, FM/DAB or Bluetooth source*4	10	6
Display Menu screen	11	7
Selecting Source, Menu and Other Setup Items	12	7
Volume adjustment*5 (All source)	13	7
Switching channels*4 (S: Digital TV, FM, DAB)	14	7
Displays All Channel List (S: Digital TV)	15	7
Displays Audio language setting screen (S: Digital TV)	16-1	7
Displays Subtitle language setting screen (S: Digital TV)	16-2	7
Playing/pausing external devices*6 (S: Bluetooth, SD card, USB)	17	8
Selecting songs on external devices (changing tracks)*6 (S: Bluetooth, SD card, USB)	18*5	8
Changing the FM frequency (S: FM)		
Playing back video or music from an external device*7 (S: AUX)	19	8
Recharging your smartphone*8	20	8

* 5: When playing back content from Bluetooth devices or external devices, lower the volume of the player before beginning playback, and then gradually raise the volume of the player.

* 6: Pair a Bluetooth-compatible device with the TV in advance. Insert an SD card or plug a USB memory device into the TV properly.

An external device connected to the AUX port of the TV cannot be controlled using the TV. Please control the external device itself.

* 7:

NOTE

○ Obtain a 4-pole mini-plug to connect a video camera, DVD player or other video output compatible device.

○ Only audio can be output from a smart phone.

○ If there is no audio signal, "NO SIGNAL" is displayed on the screen.

○ If the audio signal on an external device is low, it may not be possible to increase it.

○ When connected to a smart phone, the ring tone may not be heard when there is an incoming call.

* 8: A smartphone or a mobile phone can be connected to the TV & radio and recharged using a commercially available charging cable with a USB connector. Other sources can be played back while a smartphone or mobile phone is charging.

NOTE

○ In SD card mode, USB charging is not available.

○ During USB charging, switch to some other source.

○ While charging through USB, the sound may occasionally cut out, or the power may shut off. If this happens, lower the volume, or stop charging through USB.

○ Some USB devices may not be chargeable.

○ The TV & radio is designed to deactivate USB output and disable the recharging of smartphones and mobile phones when the power level of the battery is low.

Should the aforementioned occur, recharge the battery or replace with a fully charged battery.

○ If the voltage is low when the AC adapter is in use, the USB output may be cut off, discontinuing any recharging.

○ Use a fully charged battery when using a battery as this device's power source.

You will not be able to recharge smartphones or mobile phones when the battery power level becomes low.

○ The time required for charging varies in accordance with the smartphone or mobile phone being recharged.

○ Do not use the recharge function for any devices other than a smartphone or mobile phone.

○ The TV & radio may not be able to recharge some smartphone or mobile phone models.

* 1: The unit cannot be turned on by pressing the Standby button on the remote control.

* 2: In standby mode, the power button LED lights red.

NOTE

○ The power is automatically turned off after about 24 hours in standby mode.

* 3: The currently selected item is highlighted in green.

* 4: Source Selection Screen is not displayed.

SETTINGS ITEMS

Settings items	Main functions	Source											
		Digital TV	FM	DAB	Bluetooth	SD card			USB		AUX	System setting	
						VIDEO	AUDIO	PHOTO	VIDEO	AUDIO	PHOTO		
Auto Search*1	Receivable TV/FM/DAB broadcast frequencies are registered automatically	○	○	○	-	-	-	-	-	-	-	-	-
Manual Search*1	TV broadcast frequencies are registered manually	○	-	-	-	-	-	-	-	-	-	-	-
Antenna select	Selects antenna (Built-in/External)	○	○	○	-	-	-	-	-	-	-	-	-
Country	Sets the country in which the TV broadcast receiver is installed.	○	-	-	-	-	-	-	-	-	-	-	-

Settings items	Main functions	Source											
		Digital TV	FM	DAB	Bluetooth	SD card			USB		AUX	System setting	
						VIDEO	AUDIO	PHOTO	VIDEO	AUDIO	PHOTO		
EPG	Displays a chart of TV programs and allows a channel to be selected	○	-	-	-	-	-	-	-	-	-	-	-
Display mode	Sets the color tone of the display	○	-	-	-	○	-	○	○	-	○	○	-
Color Temperature	Sets the color balance of the image	○	-	-	-	○	-	○	○	-	○	○	-
Aspect Ratio	Selects the size of the image	○	-	-	-	○	-	○	○	-	○	○	-
EQ	Sound quality (Bass/Treble) can be adjusted according to preference.	○	○	○	○	○	○	-	○	○	-	○	-
Time Zone	Sets the time zone and region	○	-	-	-	-	-	-	-	-	-	-	-
Summer time	Sets summer time (daylight saving time)	○	-	-	-	-	-	-	-	-	-	-	-
Preset channel	Manually registers a radio station	-	○	○	-	-	-	-	-	-	-	-	-
Stereo	Switches FM broadcasts between stereo and monaural	-	○	-	-	-	-	-	-	-	-	-	-
Station List	Displays all stations of DAB	-	-	○	-	-	-	-	-	-	-	-	-
Date Time sync.	If "ON" is selected, your TV & radio can be synchronized the time and date	-	-	○	-	-	-	-	-	-	-	-	-
File List	Displays folders/files and allows them to be selected	-	-	-	-	○	○	○	○	○	○	-	-
Auto Play	Sets options for displaying photos such as the auto-play mode and the display interval	-	-	-	-	-	-	○	-	-	○	-	-
Alarm	Sets a time at which the power turns on automatically	-	-	-	-	-	-	-	-	-	-	-	○
Sleep Timer	Power can be set to automatically switch OFF after a certain amount of time has elapsed by using the sleep timer function	-	-	-	-	-	-	-	-	-	-	-	○
Date Adjust	Sets the date and time	-	-	-	-	-	-	-	-	-	-	-	○
OSD Language	Sets the language to be displayed	-	-	-	-	-	-	-	-	-	-	-	○
Restore Factory Default	Restores settings to factory default	-	-	-	-	-	-	-	-	-	-	-	○
Software Update	Updates the software	-	-	-	-	-	-	-	-	-	-	-	○

NOTE

For shared items that can be set for several sources, settings changes are applied for all of those sources. These items cannot be set separately for each source.

* 1:

To receive a more stable signal, connect the TV & radio to the port of the indoor antenna with a separately-sold cable for terrestrial digital antennas.

NOTE

Depending on the region and the location, the condition of the signal may be poor, or the image may not appear.

MAINTENANCE AND INSPECTION

WARNING

When not in use or during inspection and maintenance, be sure to remove the AC plug, rechargeable battery and backup batteries.

● Inspecting the mounting screws

Regularly inspect all mounting screws and ensure that they are properly tightened. Should any of the screws be loose, retighten them immediately. Failure to do so could result in serious hazard.

● Cleaning on the outside

When the TV & radio is stained, wipe with a soft dry cloth or a cloth moistened with soapy water. Do not use chloric solvents, gasoline or paint thinner, for they melt plastics.

● Storing the TV & radio

Do not store the TV & radio in the following places.

- Within reach of or easily accessible to children
- In humid or dusty places
- In high temperature such as inside a car or exposed to direct sunlight
- In extremely cold places or directly exposed to cold draughts
- Where the temperature changes drastically
- Where it is exposed to smoke or steam such as near a cooking appliance or humidifier

MODIFICATIONS

HiKOKI Power Tools are constantly being improved and modified to incorporate the latest technological advancements.

Accordingly, some parts may be changed without prior notice.

GUARANTEE

We guarantee HiKOKI Power Tools in accordance with statutory/country specific regulation. This guarantee does not cover defects or damage due to misuse, abuse, or normal wear and tear. In case of complaint, please send the Power Tool, undismantled, with the GUARANTEE CERTIFICATE found at the end of this Handling instruction, to a HiKOKI Authorized Service Center.

NOTE

Due to HiKOKI's continuing program of research and development, the specifications herein are subject to change without prior notice.

TROUBLESHOOTING

Use the inspections in the table below if the tool does not operate normally. If this does not remedy the problem, consult your dealer or the HiKOKI Authorized Service Center.

Symptom	Possible cause	Remedy
The power won't turn on	The AC adapter is disconnected, or isn't plugged all the way into the outlet.	Firmly plug the AC adapter all the way into the outlet.
	No remaining battery power	Charge the battery.
There is no audio	The volume is too low.	Adjust the volume.
The power turned off automatically	The sleep function activated.	Disable the sleep function.
The date and/or time is incorrect	The backup battery is exhausted.	Replace the backup battery with a new one.
The TV cannot receive signals	The channels are not configured.	Configure the channels.
Unable to set up TV channels	Country setting is incorrect.	Please check Country setting.
Some TV broadcast signals cannot be received	Terrestrial digital signals are not being broadcast.	Ask your nearest broadcast station whether they are broadcasting terrestrial digital signals.
Subtitles are not displayed, or Multichannel Television Sound doesn't function	The TV program you are watching doesn't support subtitles and/or Multichannel Television Sound.	Try using subtitles or Multichannel Television Sound on a TV program that supports it.
The TV's image becomes scrambled or stops	The antenna is pointed in the wrong direction, or the antenna cable is disconnected or broken.	Ensure there are no problems with the direction in which the antenna is pointed or with the antenna cable connection.
The TV stops showing images soon after the power is turned on or the channel is changed	This is not a malfunction.	Because the signal must be processed to prepare it for being displayed on the screen, changing the channel takes several seconds.
A Bluetooth device can't connect, or its sound cuts out intermittently	The device is not paired.	Pair the device.
	There is another nearby device that is emitting radio signals that are interfering, such as a wireless router.	Try moving the device causing interference and the TV & radio farther away from each other.
	The Bluetooth device is too far away from the TV & radio.	Try bringing the device closer to the TV & radio.
The video, music, or photos of an external device cannot be displayed or played back, or the device's folders and files cannot be displayed.	The connection isn't properly recognized.	Try disconnecting and reconnecting the external device. If it is still not recognized, try turning the TV & radio's power off and on again.
The remote control doesn't work	The remote control isn't aimed at the remote control sensor.	Point the remote control at the remote control sensor of the TV & radio while operating it.
	The remote control is too far away from the remote control sensor.	Operate the remote control from approx. 3 m away or closer.
	The TV & radio's remote control sensor is under bright light such as direct sunlight.	Place the TV & radio in a location out of direct sunlight and other bright light.
	The remote control's batteries are exhausted.	Replace the remote control's batteries with new ones.

Hikoki Power Tools Deutschland GmbH

Siemensring 34, 47877 Willich, Germany

Tel: +49 2154 49930

Fax: +49 2154 499350

URL: <http://www.hikoki-powertools.de>

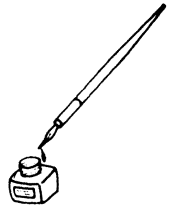
Hikoki Power Tools (U.K.) Ltd.

Precedent Drive, Rooksley, Milton Keynes, MK 13, 8PJ,
United Kingdom

Tel: +44 1908 660663

Fax: +44 1908 606642

URL: <http://www.hikoki-powertools.uk>



HiKOKI

GUARANTEE CERTIFICATE

- ① Model No.
- ② Serial No.
- ③ Date of Purchase
- ④ Customer Name and Address
- ⑤ Dealer Name and Address
(Please stamp dealer name and address)

①		②	
③			
④			
⑤			



Object of declaration: HiKOKI Cordless TV & Radio UR18DSML

EC DECLARATION OF CONFORMITY

We declare under our sole responsibility that this product is in conformity with standards or standardization documents EN60065, EN55032, EN55035, EN61000-3-2, EN61000-3-3, EN301489-1, EN301489-17, EN62479, EN303340, EN303345 and EN300328 in accordance with Directives 2014/30/EU, 2014/35/EU and 2014/53/EU.

This product also conforms to RoHS Directive 2011/65/EU.

Included AC Adaptor is in conformity with COMMISSION REGULATION (EC) No 278/2009 implementing Directive 2005/32/EC amended by 2009/125/EC.

This declaration is applicable to the product affixed CE marking.

Hereby, Koki Holdings Co.,Ltd., declares that this Cordless TV & radio is in compliance with the essential requirements and other relevant provisions of Directive 2014/53/EU.

The full text of the EU declaration of conformity is available at the following internet address

: www.koki-holdings.com.

Representative office in Europe

Hikoki Power Tools Deutschland GmbH

Siemensring 34, 47877 Willich, Germany

1. 6. 2018

Naoto Yamashiro

European Standard Manager

Head office in Japan

Koki Holdings Co., Ltd.

Shinagawa Intercity Tower A, 15-1, Konan 2-chome,
Minato-ku, Tokyo, Japan



1. 6. 2018

A Nakagawa

A. Nakagawa
Corporate Officer

Koki Holdings Co., Ltd.

803
Code No. C99719411 ○
Printed in China