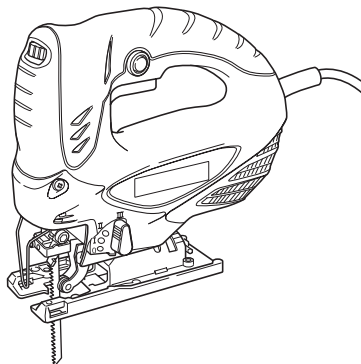


HIKOKI

Jig Saw
Stichsäge
Scie sauteuse
Seghetto alternativo
Decoupeerzaagmachine
Sierra de calar
Serra de recortes

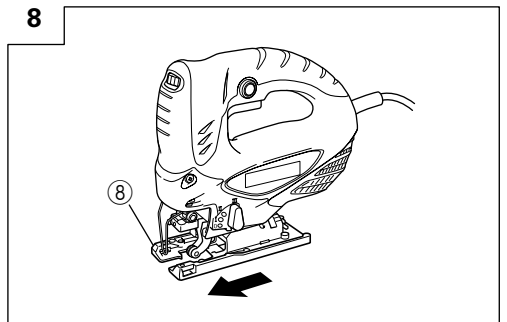
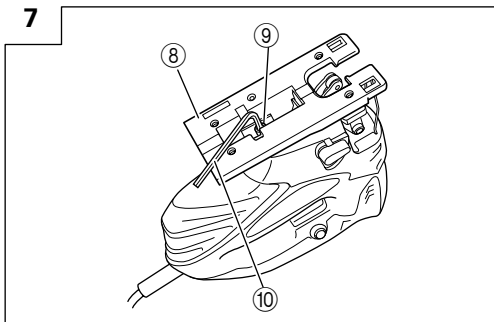
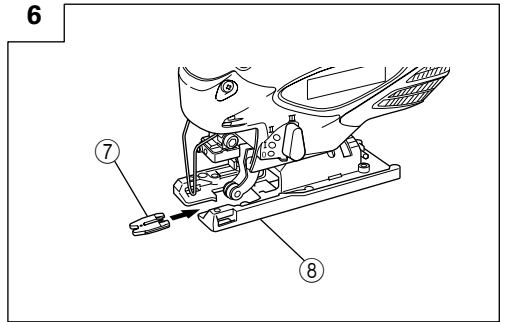
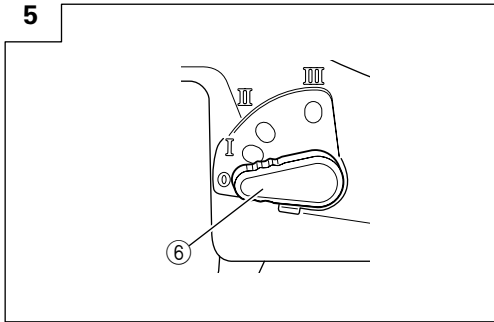
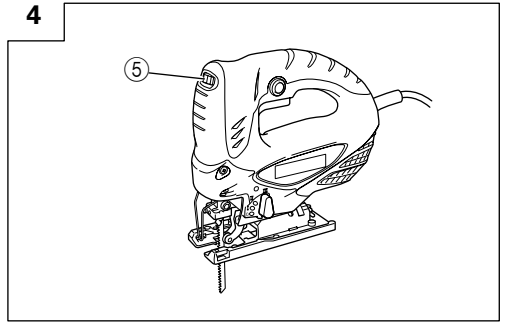
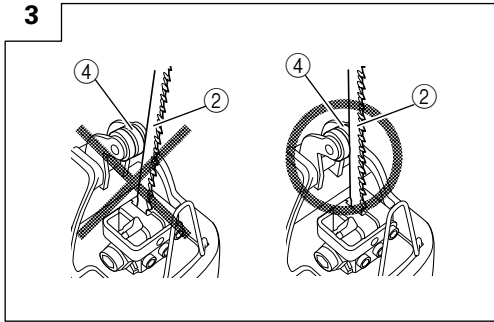
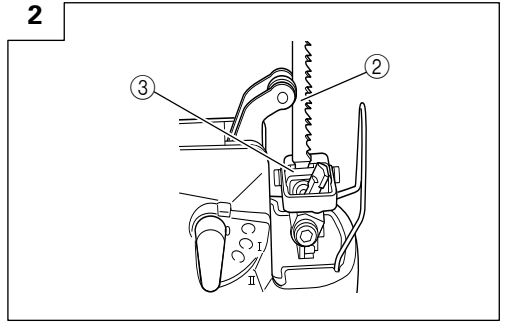
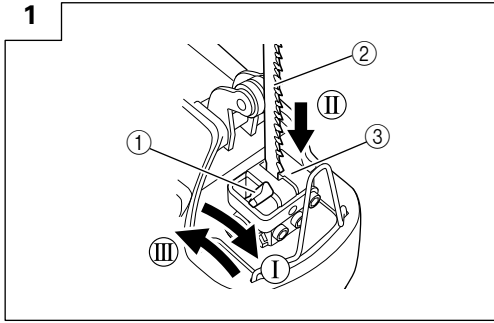
CJ 90VST



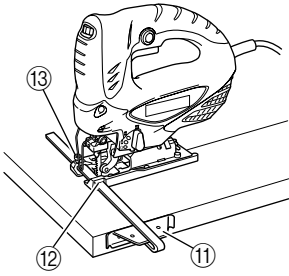
Read through carefully and understand these instructions before use.
Diese Anleitung vor Benutzung des Werkzeugs sorgfältig durchlesen und verstehen.
Lire soigneusement et bien assimiler ces instructions avant usage.
Prima dell'uso leggere attentamente e comprendere queste istruzioni.
Deze gebruiksaanwijzing s.v.p. voor gebruik zorgvuldig doorlezen.
Leer cuidadosamente y comprender estas instrucciones antes del uso.
Antes de usar, leia com cuidado para assimilar estas instruções.



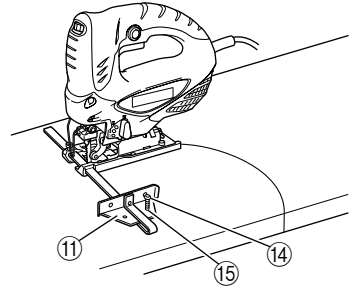
Handling instructions
Bedienungsanleitung
Mode d'emploi
Istruzioni per l'uso
Gebruiksaanwijzing
Instrucciones de manejo
Instruções de uso



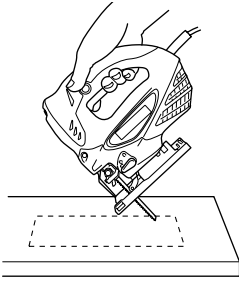
9



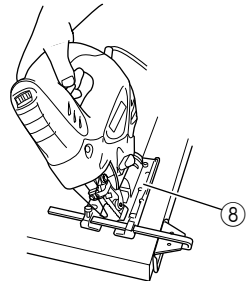
10



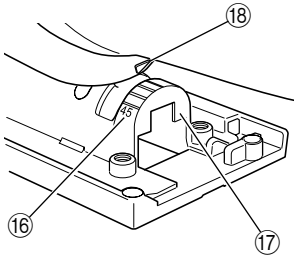
11



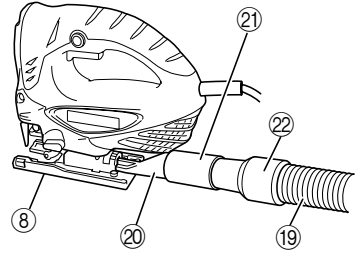
12



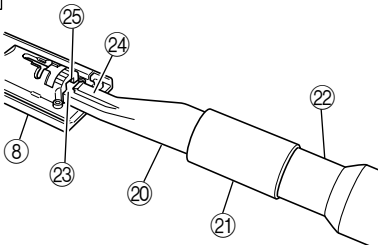
13



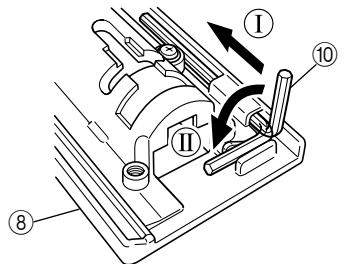
14



15







16



	English	Deutsch	Français	Italiano
①	Lever	Hebel	Levier	Leva
②	Blade	Blatt	Lame	Lama
③	Blade holder	Sägeblatthalter	Support de lame	Portalama
④	Roller	Führungsrolle	Rouleau	Rullo
⑤	Dial	Skalenscheibe	Cadran	Selettore
⑥	Change knob	Wechselring	Bouton de changement	Rotella di cambio
⑦	Splinter guard	Splitterschutz	Anti-éclats	Pará-schegge
⑧	Base	Grundplatte	Base	Base
⑨	Base bolt	Grundplattenschraube	Boulon de la base	Bullone base
⑩	Hexagonal bar wrench	Sechskantinnenschüssel	Clef à six pans	Chiave esagonale maschia
⑪	Guide	Führung	Guide	Guida
⑫	Attachment hole	Anbringungsloch	Orifice de fixation	Foro di attacco
⑬	M5 bolt	M5-Schraube	Boulon M5	Bullone M5
⑭	Nail or screw	Nagel oder Schraube	Clou ou vis	Chiodo o vite
⑮	Guide hole	Führungsloch	Orifice de guidage	Foro di guida
⑯	Scale	Skala	Echelle	Scala
⑰	Semi-circular part	Halbkreisförmiger Teil	Section semi-circulaire	Parte semicircolare
⑱	▽-mark	▽-Markierung	Repère ▽	Segno a ▽
⑲	Cleaner	Staubsauger	Nettoyeur	Dispositivo di pulizia
⑳	Dust collector	Staubsammler	Collecteur à poussière	Raccogli-polvere
㉑	Adapter	Adapter	Adaptateur	Adattatore
㉒	Nose	Nase	Bec	Estremità anteriore
㉓	Rear hole	Hinteres Loch	Orifice arrière	Foro posteriore
㉔	Hook	Haken	Crochet	Gancio
㉕	Notch	Kerbe	Rainure	Scanalatura

	Nederlands	Español	Português
①	Hendel	Palanca	Alavanca
②	Zaagblad	Cuchilla	Lâmina
③	Bladhouder	Portacuchilla	Suporte de lamina
④	Geleiderol	Rodillo	Cilindro
⑤	Schijf	Selector	Dial
⑥	Omstelknop	Perilla de cambio	Botão de câmbio
⑦	Anti-splinterstuk	Protector contra astillas	Proteção contra lascas
⑧	Zaagtafel	Base	Base
⑨	Bout voetplaat	Perno de base	Parafuso da base
⑩	Inbussleutel	llave macho hexagonal	Chave de barra sextavada
⑪	Geleider	Guía	Guia
⑫	Bevestigingsgat	Orificio de fijación	Furo de fixação
⑬	M5 bout	Perno M5	Parafuso M5
⑭	Spijker of schroef	Clavo o tornillo	Prego ou parafuso
⑮	Geleidegat	Orificio de guía	Furo-guia
⑯	Schaal	Escala	Escala
⑰	Halfcirkelvormig gedeelte	Parte semicircular	Parte semicircular
⑱	▽-markering	Marca ▽	Marca ▽
⑲	Reiniger	Limpiador	Limpador
⑳	Stofzak	Colector de polvo	Coletor de poeira
㉑	Adapter	Adaptador	Adaptador
㉒	Neus	Punta	Ponta
㉓	Achtergat	Orificio trasero	Furo traseiro
㉔	Haak	Gancho	Gancho
㉕	Inkeping	Muesca	Encaixe

	<p>Symbols ⚠ WARNING The following show symbols used for the machine. Be sure that you understand their meaning before use.</p>	<p>Symbole ⚠ WARNING Die folgenden Symbole werden für diese Maschine verwendet. Achten Sie darauf, diese vor der Verwendung zu verstehen.</p>	<p>Symboles ⚠ AVERTISSEMENT Les symboles suivants sont utilisés pour l'outil. Bien se familiariser avec leur signification avant d'utiliser l'outil.</p>	<p>Simboli ⚠ AVVERTENZA Di seguito mostriamo i simboli usati per la macchina. Assicurarsi di comprenderne il significato prima dell'uso.</p>
	<p>Read all safety warnings and all instructions. Failure to follow the warnings and instructions may result in electric shock, fire and/or serious injury.</p>	<p>Lesen Sie sämtliche Sicherheitshinweise und Anweisungen durch. Wenn die Warnungen und Anweisungen nicht befolgt werden, kann es zu Stromschlag, Brand und/oder ernsthaften Verletzungen kommen.</p>	<p>Lire tous les avertissements de sécurité et toutes les instructions. Tout manquement à observer ces avertissements et instructions peut engendrer des chocs électriques, des incendies et/ou des blessures graves.</p>	<p>Leggere tutti gli avvertimenti di sicurezza e tutte le istruzioni. La mancata osservanza degli avvertimenti e delle istruzioni potrebbe essere causa di scosse elettriche, incendi e/o gravi lesioni.</p>
	<p>Only for EU countries Do not dispose of electric tools together with household waste material! In observance of European Directive 2002/96/EC on waste electrical and electronic equipment and its implementation in accordance with national law, electric tools that have reached the end of their life must be collected separately and returned to an environmentally compatible recycling facility.</p>	<p>Nur für EU-Länder Werfen Sie Elektrowerkzeuge nicht in den Hausmüll! Gemäss Europäischer Richtlinie 2002/96/EG über Elektro- und Elektronik-Altgeräte und Umsetzung in nationales Recht müssen verbrauchte Elektrowerkzeuge getrennt gesammelt und einer umweltgerechten Wiederverwertung zugeführt werden.</p>	<p>Pour les pays européens uniquement Ne pas jeter les appareils électriques dans les ordures ménagères! Conformément à la directive européenne 2002/96/EG relative aux déchets d'équipements électriques ou électroniques (DEEE), et à sa transposition dans la législation nationale, les appareils électriques doivent être collectés à part et être soumis à un recyclage respectueux de l'environnement.</p>	<p>Solo per Paesi UE Non gettare le apparecchiature elettriche tra i rifiuti domestici. Secondo la Direttiva Europea 2002/96/CE sui rifiuti di apparecchiature elettriche ed elettroniche e la sua attuazione in conformità alle norme nazionali, le apparecchiature elettriche esauste devono essere raccolte separatamente, al fine di essere reimpiagate in modo eco-compatibile.</p>
	<p>Symbolen ⚠ WAARSCHUWING Hieronder staan symbolen afgebeeld die van toepassing zijn op deze machine. U moet de betekenis hiervan begrijpen voor gebruik.</p>	<p> Símbolos ⚠ ADVERTENCIA A continuación se muestran los símbolos usados para la máquina. Asegúrese de comprender su significado antes del uso.</p>	<p> Símbolos ⚠ AVISO A seguir aparecem os símbolos utilizados pela máquina. Assimile bem seus significados antes do uso.</p>	
	<p>Lees alle waarschuwingen en instructies aandachtig door. Nalating om de waarschuwingen en instructies op te volgen kan in een elektrische schok, brand en/of ernstig letsel resulteren.</p>	<p> Lea todas las instrucciones y advertencias de seguridad. Si no se siguen las advertencias e instrucciones, podría producirse una descarga eléctrica, un incendio y/o daños graves.</p>	<p>Leia todas as instruções e avisos de segurança. Se não seguir todas as instruções e os avisos, pode provocar um choque eléctrico, incêndio e/ou ferimentos graves.</p>	
	<p>Alleen voor EU-landen Geef elektrisch gereedschap niet met het huisvuil mee! Volgens de Europese richtlijn 2002/96/EG inzake oude elektrische en elektronische apparaten en de toepassing daarvan binnen de nationale wetgeving, dient gebruikt elektrisch gereedschap gescheiden te worden ingezameld en te worden afgevoerd naar een recycle bedrijf dat voldoet aan de geldende milieu-eisen.</p>	<p>Sólo para países de la Unión Europea ¡No deseche los aparatos eléctricos junto con los residuos domésticos! De conformidad con la Directiva Europea 2002/96/CE sobre residuos de aparatos eléctricos y electrónicos y su aplicación de acuerdo con la legislación nacional, las herramientas eléctricas cuya vida útil haya llegado a su fin se deberán recoger por separado y trasladar a una planta de reciclaje que cumpla con las exigencias ecológicas.</p>	<p>Apenas para países da UE Não deite ferramentas eléctricas no lixo doméstico! De acordo com a directiva europeia 2002/96/CE sobre ferramentas eléctricas e electrónicas usadas e a transposição para as leis nacionais, as ferramentas eléctricas usadas devem ser recolhidas em separado e encaminhadas a uma instalação de reciclagem dos materiais ecológica.</p>	

GENERAL POWER TOOL SAFETY WARNINGS

WARNING

Read all safety warnings and all instructions.

Failure to follow the warnings and instructions may result in electric shock, fire and/or serious injury.

Save all warnings and instructions for future reference.

The term "power tool" in the warnings refers to your mains-operated (corded) power tool or battery-operated (cordless) power tool.

1) Work area safety

- a) **Keep work area clean and well lit.**

Cluttered or dark areas invite accidents.

- b) **Do not operate power tools in explosive atmospheres, such as in the presence of flammable liquids, gases or dust.**

Power tools create sparks which may ignite the dust or fumes.

- c) **Keep children and bystanders away while operating a power tool.**

Distractions can cause you to lose control.

2) Electrical safety

- a) **Power tool plugs must match the outlet.**

Never modify the plug in any way.

Do not use any adapter plugs with earthed (grounded) power tools.

Unmodified plugs and matching outlets will reduce risk of electric shock.

- b) **Avoid body contact with earthed or grounded surfaces, such as pipes, radiators, ranges and refrigerators.**

There is an increased risk of electric shock if your body is earthed or grounded.

- c) **Do not expose power tools to rain or wet conditions.**

Water entering a power tool will increase the risk of electric shock.

- d) **Do not abuse the cord. Never use the cord for carrying, pulling or unplugging the power tool.**

Keep cord away from heat, oil, sharp edges or moving parts.

Damaged or entangled cords increase the risk of electric shock.

- e) **When operating a power tool outdoors, use an extension cord suitable for outdoor use.**

Use of a cord suitable for outdoor use reduces the risk of electric shock.

- f) **If operating a power tool in a damp location is unavoidable, use a residual current device (RCD) protected supply.**

Use of an RCD reduces the risk of electric shock.

3) Personal safety

- a) **Stay alert, watch what you are doing and use common sense when operating a power tool.**

Do not use a power tool while you are tired or under the influence of drugs, alcohol or medication.

A moment of inattention while operating power tools may result in serious personal injury.

- b) **Use personal protective equipment. Always wear eye protection.**

Protective equipment such as dust mask, non-skid safety shoes, hard hat, or hearing protection used for appropriate conditions will reduce personal injuries.

- c) **Prevent unintentional starting. Ensure the switch is in the off-position before connecting to power source and/or battery pack, picking up or carrying the tool.**

Carrying power tools with your finger on the switch or energising power tools that have the switch on invites accidents.

- d) **Remove any adjusting key or wrench before turning the power tool on.**

A wrench or a key left attached to a rotating part of the power tool may result in personal injury.

- e) **Do not overreach. Keep proper footing and balance at all times.**

This enables better control of the power tool in unexpected situations.

- f) **Dress properly. Do not wear loose clothing or jewellery. Keep your hair, clothing and gloves away from moving parts.**

Loose clothes, jewellery or long hair can be caught in moving parts.

- g) **If devices are provided for the connection of dust extraction and collection facilities, ensure these are connected and properly used.**

Use of dust collection can reduce dust related hazards.

4) Power tool use and care

- a) **Do not force the power tool. Use the correct power tool for your application.**

The correct power tool will do the job better and safer at the rate for which it was designed.

- b) **Do not use the power tool if the switch does not turn it on and off.**

Any power tool that cannot be controlled with the switch is dangerous and must be repaired.

- c) **Disconnect the plug from the power source and/or the battery pack from the power tool before making any adjustments, changing accessories, or storing power tools.**

Such preventive safety measures reduce the risk of starting the power tool accidentally.

- d) **Store idle power tools out of the reach of children and do not allow persons unfamiliar with the power tool or these instructions to operate the power tool.**

Power tools are dangerous in the hands of untrained users.

- e) **Maintain power tools. Check for misalignment or binding of moving parts, breakage of parts and any other condition that may affect the power tool's operation.**

If damaged, have the power tool repaired before use.
Many accidents are caused by poorly maintained power tools.

- f) **Keep cutting tools sharp and clean.**

Properly maintained cutting tools with sharp cutting edges are less likely to bind and are easier to control.

- g) **Use the power tool, accessories and tool bits etc. in accordance with these instructions, taking into account the working conditions and the work to be performed.**

Use of the power tool for operations different from those intended could result in a hazardous situation.

5) Service

- a) **Have your power tool serviced by a qualified repair person using only identical replacement parts.**

This will ensure that the safety of the power tool is maintained.

PRECAUTION

Keep children and infirm persons away.

When not in use, tools should be stored out of reach of children and infirm persons.

PRECAUTIONS ON USING JIG SAW

1. **Hold power tool by insulated gripping surfaces, when performing an operation where the cutting accessory may contact hidden wiring or its own cord.** Cutting accessory contacting a "live" wire may make exposed metal parts of the power tool "live" and could give the operator an electric shock.

2. This Jig saw employs a high-power motor. If the machine is used continuously at low speed, an extra load is applied to the motor which can result in motor seizure. Always operate the power tool so that the blade is not caught by the material during operation. Always adjust the blade speed to enable smooth cutting.

SPECIFICATIONS

Voltage (by areas)*	(110 V, 115 V, 120 V, 127 V, 220 V, 230 V, 240 V) ~
Power Input*	705 W
Max. Cutting Depth	Wood 90 mm Mild Steel 8 mm
No-Load Speed	850 – 3000 min ⁻¹
Stroke	20 mm
Min. Cutting Radius	25 mm
Weight (without cord)	2.2 kg

*Be sure to check the nameplate on product as it is subject to change by areas.

STANDARD ACCESSORIES

- (1) Blades (No. 41) 1
Refer to **Table 1** for use of the blades.
- (2) Hexagon bar wrench 1
Standard accessories are subject to change without notice.

OPTIONAL ACCESSORIES ... Sold separately

- (1) Various types of blades
Refer to **Table 1** for use of the blades.
 - (2) Guide
 - (3) Sub base
 - (4) Bench stand (Model TR12-B)
 - (5) Splinter guard
 - (6) Dust collection adapter
- Optional accessories are subject to change without notice.

APPLICATIONS

- Cutting various lumber and pocket cutting
- Cutting mild steel plate, aluminum plate, and copper plate
- Cutting synthetic resins, such as phenol resin and vinyl chloride
- Cutting thin and soft construction materials
- Cutting stainless steel plate (with No. 97 blade)

PRIOR TO OPERATION

1. **Power source**
Ensure that the power source to be utilized conforms to the power requirements specified on the product nameplate.
2. **Power switch**
Ensure that the power switch is in the OFF position. If the plug is connected to a receptacle while the power switch is in the ON position, the power tool will start operating immediately, which could cause a serious accident.

3. **Extension cord**
When the work area is removed from the power source, use an extension cord of sufficient thickness and rated capacity. The extension cord should be kept as short as practicable.
4. **Dust produced in operation**
The dust produced in normal operation may affect the operator's health. Either of following way is recommended.

- a) **Wear a dust mask**
- b) **Use external dust collection equipment**

When using the external dust collection equipment, connect the adapter with the hose from external dust collection equipment.

5. **Changing blades**
 - (1) Open the lever up to the stop. (Fig. 1-I)
 - (2) Remove fitted blade.
 - (3) Insert new blade up to the stop in the blade holder. (Fig. 1-II)
 - (4) Close the lever. (Fig. 1-III)

CAUTION:

- Be sure to switch power OFF and disconnect the plug from the receptacle when changing blades.
- Do not open the lever when plunger is moving.

NOTE:

- Confirm the protrusions of blade inserted to the blade holder surely. (Fig. 2)
- Confirm the blade located between the groove of roller. (Fig. 3)

6. **Adjusting the blade operating speed**
This Jig Saw is equipped with the electric control circuit which enables stepless speed control. To adjust the speed, turn the dial shown in Fig. 4. When the dial is set to "1", the jig saw operates at the minimum speed (850min⁻¹). When the dial set to "5", the jig saw operates at the maximum speed (3000min⁻¹). Adjust the speed according to the material to be cut and working efficiency.

CAUTION:

At low speed (dial setting: 1 or 2) do not cut a wood with a thickness of more than 10 mm or metal with a thickness of more than 1 mm.

7. Adjusting the orbital operation

- (1) This Jig Saw employs orbital operation which moves the blade back and forth, as well as up and down. Set the change knob shown in **Fig. 5** to "0" to eliminate the orbital operation (the blade moves only up and down). The orbital operation can be selected in 4 steps from "0" to "III".
- (2) For the hard material, such as a steel plate, etc., decrease the orbital operation. For the soft material, such as lumber, plastic, etc., increase the orbital operation to increase work efficiency. To cut the material accurately, decrease the orbital operation.

8. Cutting stainless steel plates

This Jig Saw can cut stainless steel plates by using No. 97 blade. Carefully read "Concerning cutting of stainless steel plates" for proper operation.

9. Splinter guard

Using the splinter guard when cutting wood materials will reduce splintering of cut surfaces.

Insert the splinter guard in the space on the base, and push it completely. (See **Fig. 6**)

10. Sub base

Using the sub base (made from steel) will reduce abrasion of aluminium base especially in cutting metals.

Using the sub base (made from resin) will reduce scratching of cut surface. Attach the sub base to the bottom surface of base by attached 4 screws.

11. RCD

The use of a residual current device with a rated residual current of 30mA or less at all times is recommended.

CUTTING

CAUTION:

- In order to prevent blade dislodging, damage or excessive wear on the Plunger, please make sure to have surface of the base plate attached to the work piece while sawing.

1. Rectilinear cutting

When cutting on a straight line, first draw a marking gauge line and advance the saw along that line. Using the guide (sold separately) will make it possible to cut accurately on a straight line.

- (1) Loosen the base bolt hexagonal bar wrench attached on base. (**Fig. 7**)
- (2) Move the base fully forward (**Fig. 8**), and tighten the base bolt again.
- (3) Attach the guide by passing it through the attachment hole on the base and tighten the M5 bolt. (**Fig. 9**)
- (4) Set the orbital position to "0".

NOTE:

To ensure accurate cutting when using the Guide (**Fig.9**), always set the orbital position to "0".

2. Sawing curved lines

When sawing a small circular arc, reduce the feeding speed of the machine. If the machine is fed too fast, it could cause the blade to break.

3. Cutting a circle or a circular arc

The guide also will be helpful for circular cutting.

After attaching the guide by same way noted as above, drive the nail or screw into the material through the hole on the guide, then use it for an axis when cutting. (**Fig. 10**)

NOTE:

Circular cutting must be done with the blade approximately vertical to the bottom surface of the base.

4. Cutting metallic materials

- (1) Adjust the speed Dial between scales "3" and "4".
- (2) Set the orbital position to "0" or "1".
- (3) Always use an appropriate cutting fluid (spindle oil, soapy water, etc.). When a liquid cutting fluid is not available, apply grease to the back surface of the material to be cut.

5. Pocket cutting

- (1) In lumber
Aligning the blade direction with the grain of the wood, cut step by step until a window hole is cut in the center of the lumber. (**Fig. 11**)
- (2) In other materials
When cutting a window hole in materials other than lumber, initially bore a hole with a drill or similar tool from which to start cutting.

6. Angular cutting

The base can be swiveled to both sides by up to 45° for angular cutting. (**Fig. 12**)

- (1) Loosen the base bolt by hexagonal bar wrench attached on base and move the base fully forward. (**Fig. 7, 8**)
- (2) Align the scale (from 0 degrees to 45 degrees by 15-degree increments) of the semi-circular part of the base with the [▽] mark on the gear cover. (**Fig. 13**)
- (3) Tighten the M5 bolt again. (**Fig. 7**)
- (4) Set the orbital position to "0".

NOTE:

Angular cutting can not be done when adopting dust collector.

CONNECTING WITH CLEANER

By connecting with cleaner (sold separately) through dust collector and adapter (sold separately), most of dust can be collected.

- (1) Remove the hexagonal bar wrench from the base.
- (2) Move the base fully forward. (**Fig. 7, 8**)
- (3) Connect the dust collector with adapter. (**Fig. 14**)
- (4) Connect the adapter with the nose of cleaner. (**Fig. 14**)
- (5) Insert dust collector into the rear hole of the base until the hook catches in the notch. (**Fig. 15**)
- (6) Press the hook to remove the dust collector.

NOTE:

Wear the dust mask additionally, if available.

CONCERNING CUTTING OF STAINLESS STEEL PLATES

CAUTION:

In order to prevent blade dislodging, damage or excessive wear on the Plunger, please make sure to have surface of the base plate attached to the work piece while sawing.

When cutting stainless steel plates, adjust the unit as described below:

1. Adjust the speed

Blade	Thickness of material	Dial Scale
No. 97	1.5 – 2.5 mm	Middle groove position between scales "2" and "3"

NOTE:

Dial scale reading is for reference only. The higher the speed is, the quicker the material is cut. But the service life of the blade will be reduced in this case. When the speed is too low, cutting will take longer, although the service life will be prolonged. Make adjustments as desired.

2. Set the orbital position to "0"

NOTE:

- When cutting use cutting fluid (oil base cutting fluid) to prolong the blade's service life.

SELECTION OF BLADES

○ Accessory blades

To ensure maximum operating efficiency and results, it is very important to select the appropriate blade best suited to the type and thickness of the material to be cut. Three types of blades are provided as standard accessories. The blade number is engraved in the vicinity of the mounting portion of each blade. Select appropriate blades by referring to **Table 1**.

HOUSING THE HEXAGONAL BAR WRENCH

It is possible to house the hexagonal bar wrench on the base. (See **Fig. 16**)

MAINTENANCE AND INSPECTION

1. Inspecting the blade

Continued use of a dull or damaged blade will result in reduced cutting efficiency and may cause overloading of the motor. Replace the blade with a new one as soon as excessive abrasion is noted.

2. Inspecting the mounting screws

Regularly inspect all mounting screws and ensure that they are properly tightened. Should any of the screws be loose, retighten them immediately. Failure to do so could result in serious hazard.

3. Maintenance of the motor

The motor unit winding is the very "heart" of the power tool.

Exercise due care to ensure the winding does not become damaged and/or wet with oil or water.

4. Inspecting the carbon brushes

For your continued safety and electrical shock protection, carbon brush inspection and replacement on this tool should ONLY be performed by a HiKOKI AUTHORIZED SERVICE CENTER.

5. Replacing supply cord

If the supply cord of Tool is damaged, the Tool must be returned to HiKOKI Authorized Service Center for the cord to be replaced.

6. Service parts list

CAUTION

Repair, modification and inspection of HiKOKI Power Tools must be carried out by an HiKOKI Authorized Service Center.

This Parts List will be helpful if presented with the tool to the HiKOKI Authorized Service Center when requesting repair or other maintenance.

In the operation and maintenance of power tools, the safety regulations and standards prescribed in each country must be observed.

MODIFICATIONS

HiKOKI Power Tools are constantly being improved and modified to incorporate the latest technological advancements.

Accordingly, some parts may be changed without prior notice.

GUARANTEE

We guarantee HiKOKI Power Tools in accordance with statutory/country specific regulation. This guarantee does not cover defects or damage due to misuse, abuse, or normal wear and tear. In case of complaint, please send the Power Tool, undismantled, with the GUARANTEE CERTIFICATE found at the end of this Handling instruction, to a HiKOKI Authorized Service Center.

NOTE:

Due to HiKOKI's continuing program of research and development, the specifications herein are subject to change without prior notice.

IMPORTANT:

Correct connection of the plug

The wires of the main lead and coloured in accordance with the following code:

Blue: -Neutral

Brown: -Live

As the colours of the wires in the main lead of this tool may not correspond with the coloured markings identifying the terminals in your plug proceed as follows: The wire coloured blue must be connected to the terminal marked with the letter N or coloured black.

The wire coloured brown must be connected to the terminal marked with the letter L or coloured red.

Neither core must be connected to the earth terminal.

NOTE:

This requirement is provided according to BRITISH STANDARD 2769: 1984.

Therefore, the letter code and colour code may not be applicable to other markets except The United Kingdom.

Information concerning airborne noise and vibration

The measured values were determined according to EN60745 and declared in accordance with ISO 4871.

Measured A-weighted sound power level: 96 dB (A).

Measured A-weighted sound pressure level: 85 dB (A).

Uncertainty KpA: 3 dB (A).

Wear hearing protection.

Vibration total values (triax vector sum) determined according to EN60745.

Cutting wood:

Vibration emission value **ah, CW** = 9.0 m/s²

Uncertainty K = 1.5 m/s²

Cutting sheet metal:

Vibration emission value **ah, CM** = 13.2 m/s²

Uncertainty K = 1.5 m/s²

The declared vibration total value has been measured in accordance with a standard test method and may be used for comparing one tool with another. It may also be used in a preliminary assessment of exposure.

WARNING

- The vibration emission during actual use of the power tool can differ from the declared total value depending on the ways in which the tool is used.
- To identify safety measures to protect the operator that are based on an estimation of exposure in the actual conditions of use (taking account of all parts of the operating cycle such as the times when the tool is switched off and when it is running idle in addition to the trigger time).

Table 1 List of appropriate blades

Material to be cut	Blade	No. 1 (Long)	No. 1 (Super Long)	No.11	No. 12, 42	No. 15	No. 16, 46	No. 21	No. 22	No.41	No. 97	123X
		Thickness of material (mm)										
Lumber	General lumber	Below 90	Below 90	10 ~ 55	Below 20			10 ~ 55	5 ~ 40	10 ~ 65		
	Plywood			5 ~ 30	Below 10			5 ~ 30	3 ~ 20			
Iron plate	Mild steel plate					3 ~ 6	Below 3				2 ~ 5	1.5 ~ 8
	Stainless steel plate										1.5 ~ 2.5	
Nonferrous metal	Aluminium copper, brass					3 ~ 12	Below 3				Below 5	
	Aluminium sash					Height up to 25					Height up to 25	Height up to 30
Plastics	Phenol resin, melamine, resin, etc.					5 ~ 20	Below 6	5 ~ 15	Below 6		5 ~ 15	
	Vinyl chloride, acryl resin, etc.			5 ~ 30	Below 10	5 ~ 20	Below 5	5 ~ 30	3 ~ 20		5 ~ 15	
	Foamed polyethylene, foamed styrol			10 ~ 55	3 ~ 25	5 ~ 25	3 ~ 25	10 ~ 55	3 ~ 40		5 ~ 25	
Pulp	Card board, corrugated paper			10 ~ 55	3 ~ 25			10 ~ 55	3 ~ 40			
	Hardboard					3 ~ 25	Below 6				3 ~ 25	
	Fiberboard						Below 6					

NOTE:

- The minimum cutting radius of No. 1 (Long), No. 1 (Super Long), No. 21, No. 22 and No. 41 blades is 100 mm.

ALLGEMEINE SICHERHEITSHINWEISE FÜR ELEKTROGERÄTE

WARNUNG

Lesen Sie sämtliche Sicherheitshinweise und Anweisungen durch. Wenn die Warnungen und Anweisungen nicht befolgt werden, kann es zu Stromschlag, Brand und/oder ernsthaften Verletzungen kommen.

Bitte bewahren Sie alle Warnhinweise und Anweisungen zum späteren Nachschlagen auf.

Der Begriff „Elektrowerkzeug“ bezieht sich in den Warnhinweisen auf Elektrowerkzeuge mit Netz- (schnurgebunden) oder Akkubetrieb (schnurlos).

1) Sicherheit im Arbeitsbereich

- a) Sorgen Sie für einen sauberen und gut ausgeleuchteten Arbeitsbereich.
Zugestellte oder dunkle Bereiche ziehen Unfälle förmlich an.
- b) Verwenden Sie Elektrowerkzeuge niemals an Orten, an denen Explosionsgefahr besteht – zum Beispiel in der Nähe von leicht entflammaren Flüssigkeiten, Gasen oder Stäuben.
Bei der Arbeit mit Elektrowerkzeugen kann es zu Funkenbildung kommen, wodurch sich Stäube oder Dämpfe entzünden können.
- c) Sorgen Sie bei der Arbeit mit Elektrowerkzeugen dafür, dass sich keine Zuschauer (insbesondere Kinder) in der Nähe befinden.
Wenn Sie abgelenkt werden, können Sie die Kontrolle über das Werkzeug verlieren.

2) Elektrische Sicherheit

- a) Elektrowerkzeuge müssen mit passender Stromversorgung betrieben werden.
Nehmen Sie niemals irgendwelche Änderungen am Anschlussstecker vor.
Verwenden Sie bei Elektrowerkzeugen mit Schutzkontakt (geerdet) niemals Adapterstecker.
Stecker im Originalzustand und passende Steckdosen reduzieren das Stromschlagrisiko.
- b) Vermeiden Sie Körperkontakt mit geerdeten Gegenständen wie Rohrleitungen, Heizungen, Herden oder Kühlschränken.
Bei Körperkontakt mit geerdeten Gegenständen besteht ein erhöhtes Stromschlagrisiko.
- c) Setzen Sie Elektrowerkzeuge niemals Regen oder sonstiger Feuchtigkeit aus.
Wenn Flüssigkeiten in ein Elektrowerkzeug eindringen, erhöht sich das Stromschlagrisiko.
- d) Verwenden Sie die Anschlusschnur nicht missbräuchlich.
Tragen Sie das Elektrowerkzeug niemals an der Anschlusschnur, ziehen Sie es nicht damit heran und ziehen Sie den Stecker nicht an der Anschlusschnur aus der Steckdose.
Halten Sie die Anschlusschnur von Hitzequellen, Öl, scharfen Kanten und beweglichen Teilen fern.
Beschädigte oder verdrehte Anschlusschnüre erhöhen das Stromschlagrisiko.
- e) Wenn Sie ein Elektrowerkzeug im Freien benutzen, verwenden Sie ein für den Außeneinsatz geeignetes Verlängerungskabel.
Ein für den Außeneinsatz geeignetes Kabel vermindert das Stromschlagrisiko.
- f) Falls sich der Betrieb des Elektrowerkzeuges in feuchter Umgebung nicht vermeiden lässt, verwenden Sie eine Stromversorgung mit Fehlerstromschutzeinrichtung (Residual Current Device, RCD).
Durch den Einsatz einer Fehlerstromschutzeinrichtung wird das Risiko eines elektrischen Schlages reduziert.

3) Persönliche Sicherheit

- a) Bleiben Sie wachsam, achten Sie auf das, was Sie tun, und setzen Sie Ihren Verstand ein, wenn Sie mit Elektrowerkzeugen arbeiten.
Benutzen Sie keine Elektrowerkzeuge, wenn Sie müde sind oder unter Einfluss von Drogen, Alkohol oder Medikamenten stehen.
Bei der Arbeit mit Elektrowerkzeugen können bereits kurze Phasen der Unaufmerksamkeit zu schweren Verletzungen führen.
 - b) Benutzen Sie eine persönliche Schutzausrüstung. Tragen Sie immer einen Augenschutz.
Schutzausrüstung wie Staubmaske, rutschsichere Sicherheitsschuhe, Schutzhelm und Gehörschutz senken das Verletzungsrisiko bei angemessenem Einsatz.
 - c) Vermeiden Sie unbeabsichtigten Anlauf. Achten Sie darauf, dass sich der Schalter in der Aus- (Off-) Position befindet, ehe Sie das Gerät mit der Stromversorgung und/oder Batteriestromversorgung verbinden, es aufheben oder herumtragen.
Das Herumtragen von Elektrowerkzeugen mit dem Finger am Schalter oder das Herstellen der Stromversorgung bei betätigtem Schalter zieht Unfälle regelrecht an.
 - d) Entfernen Sie sämtliche Einstellwerkzeuge (Einstellschlüssel), ehe Sie das Elektrowerkzeug einschalten.
Ein an einem beweglichen Teil des Elektrowerkzeuges angebrachter Schlüssel kann zu Verletzungen führen.
 - e) Sorgen Sie für einen festen Stand. Achten Sie jederzeit darauf, sicher zu stehen und das Gleichgewicht zu bewahren.
Dadurch haben Sie das Elektrowerkzeug in unerwarteten Situationen besser im Griff.
 - f) Kleiden Sie sich richtig. Tragen Sie keine lose Kleidung oder Schmuck. Halten Sie Haar, Kleidung und Handschuhe von beweglichen Teilen fern.
Lose Kleidung, Schmuck oder langes Haar kann von beweglichen Teilen erfasst werden.
 - g) Wenn Anschlüsse für Staubabsaug- und -sammelvorrichtungen vorhanden sind, sorgen Sie dafür, dass diese richtig angeschlossen und eingesetzt werden.
Durch Entfernen des Staubes können staubbezogene Gefahren vermindert werden.
- #### 4) Einsatz und Pflege von Elektrowerkzeugen
- a) Überansprechen Sie Elektrowerkzeuge nicht. Benutzen Sie das richtige Elektrowerkzeug für Ihren Einsatzzweck.
Das richtige Elektrowerkzeug erledigt seine Arbeit bei bestimmungsgemäßem Einsatz besser und sicherer.
 - b) Benutzen Sie das Elektrowerkzeug nicht, wenn es sich nicht am Schalter ein- und ausschalten lässt.
Jedes Elektrowerkzeug, das nicht mit dem Schalter betätigt werden kann, stellt eine Gefahr dar und muss repariert werden.
 - c) Stecken Sie den Stecker der Stromversorgung oder Batteriestromversorgung vom Gerät ab, ehe Sie Einstellarbeiten vornehmen, Zubehörteile tauschen oder das Elektrowerkzeug verstauen.
Solche präventiven Sicherheitsmaßnahmen verhindern den unbeabsichtigten Anlauf des Elektrowerkzeugs und die damit verbundenen Gefahren.
 - d) Lagern Sie nicht benutzte Elektrowerkzeuge außerhalb der Reichweite von Kindern, lassen Sie nicht zu, dass Personen das Elektrowerkzeug bedienen, die nicht mit dem Werkzeug selbst und/oder diesen Anweisungen vertraut sind.
Elektrowerkzeuge in ungeschulten Händen sind gefährlich.
 - e) Halten Sie Elektrowerkzeuge in Stand. Prüfen Sie auf Fehlaufrichtungen, sicheren Halt und Leichtgängigkeit beweglicher Teile, Beschädigungen von Teilen und auf jegliche andere Zustände, die sich auf den Betrieb des Elektrowerkzeugs auswirken können.

Bei Beschädigungen lassen Sie das Elektrowerkzeug reparieren, ehe Sie es benutzen.

Viele Unfälle mit Elektrowerkzeugen sind auf schlechte Wartung zurückzuführen.

f) Halten Sie Schneidwerkzeuge scharf und sauber. Richtig gewartete Schneidwerkzeuge mit scharfen Schneidkanten bleiben weniger häufig hängen und sind einfacher zu beherrschen.

g) Benutzen Sie Elektrowerkzeuge, Zubehör, Werkzeugspitzen und Ähnliches in Übereinstimmung mit diesen Anweisungen – beachten Sie dabei die jeweiligen Arbeitsbedingungen und die Art und Weise der auszuführenden Arbeiten.

Der Gebrauch des Elektrowerkzeuges für andere als die vorgesehenen Anwendungen kann zu gefährlichen Situationen führen.

5) Service

a) Lassen Sie Elektrowerkzeuge durch qualifizierte Fachkräfte und unter Einsatz passender, zugelassener Originalteile warten.

Dies sorgt dafür, dass die Sicherheit des Elektrowerkzeuges nicht beeinträchtigt wird.

VORSICHT

Von Kindern und gebrechlichen Personen fernhalten.

Werkzeuge sollten bei Nichtgebrauch außerhalb der Reichweite von Kindern und gebrechlichen Personen aufbewahrt werden.

VORSICHTSMASSNAHMEN BEI DER BEDIENUNG DER STICHSÄGE

- Halten Sie das Elektrowerkzeug an den isolierten Griffflächen fest, wenn Sie Arbeiten ausführen, bei denen das Schneidwerkzeug mit einer verdeckten Verdrahtung oder seiner eigenen Netzleitung in Kontakt kommen könnte. Wenn Schneidwerkzeuge auf einen "stromführenden" Draht treffen, können die freigelegten Metallteile das Elektrowerkzeug "unter Strom setzen" und dem Bediener einen elektrischen Schlag versetzen.
- Diese Maschine arbeitet mit einem starken Motor. Wenn die Maschine längere Zeit bei niedriger Geschwindigkeit verwendet wird, wird der Motor stark belastet und kann sich festfressen. Das Werkzeug immer so einsetzen, daß das Sägeblatt beim Betrieb nicht im Werkstück festsitzt. Immer die Geschwindigkeit so einstellen, daß gut gesägt werden kann.

TECHNISCHE DATEN

Spannung (je nach Gebiet)*	(110 V, 115 V, 120 V, 127 V, 220 V, 230 V, 240 V) ~
Leistungsaufnahme*	705 W
Max. Schneidtiefe	Holz 90 mm Flußstahl 8 mm
Leerlaufhubzahlen	850 – 3000 min ⁻¹
Hubstrecke	20 mm
Mindestschnittradius	25 mm
Gewicht (ohne Kabel)	2,2 kg

*Vergessen Sie nicht, die Produktangaben auf dem Typenschild zu überprüfen, da sich diese je nach Verkaufsgebiet ändern.

STANDARDZUBEHÖR

(1) Sägeblätter (Nr. 41) 1

Für Anwendung der Sägeblätter siehe **Tabelle 1**.

(2) Innensechskantchiüssel 1

Das Standardzubehör kann ohne vorherige Bekanntmachung jederzeit geändert werden.

SONDERZUBEHÖR ... separat zu beziehen

(1) Verschiedene Sägeblatt-Typen

Für Anwendung der Sägeblätter siehe **Tabelle 1**.

(2) Führung

(3) Hilfsgrundplatte

(4) Bankstütze (Modell TR12-B)

(5) Splitterschutz

(6) Adapter für Staubsammler

Das Sonderzubehör kann ohne vorherige Bekanntmachung jederzeit geändert werden.

ANWENDUNGEN

- Schneiden verschiedener Nutzhölzer (auch Aussparungen)

- Schneiden von Flußstahlblechen, Aluminiumblechen und Kupferblechen.
- Schneiden von Kunstharzen wie Phenolharz und Vinylchlorid
- Schneiden von dünnen und weichen Baumaterialien
- Schneiden von Blechen aus rostfreiem Stahl (mit Sägeblatt Nr. 97)

VOR DER INBETRIEBNAHME

1. Netzspannung

Prüfen, daß die zu verwendende Netzspannung der Angabe auf dem Typenschild entspricht.

2. Netzschalter

Prüfen, daß der Netzschalter auf „AUS“ steht. Wenn der Stecker an das Netz angeschlossen wird, während der Schalter auf „EIN“ steht, beginnt das Werkzeug sofort zu laufen, was gefährlich ist.

3. Verlängerungskabel

Wenn der Arbeitsbereich nicht in der Nähe des Netzanschlusses liegt, ist ein Verlängerungskabel ausreichenden Querschnitts und ausreichender Nennleistung zu verwenden. Das Verlängerungskabel sollte so kurz wie möglich gehalten werden.

4. Im Betrieb anfallender Staub

Im Betrieb anfallender Staub kann gesundheitsschädlich sein. Wir empfehlen Folgendes.

- a) Tragen Sie eine Staubschutzmaske
- b) Nutzen Sie eine externe Staubabsaugvorrichtung

Wenn Sie den externen Staubsammler verwenden, verbinden Sie das Adapterstück mit dem Schlauch des externen Staubsammlers.

5. Auswechseln des Sägeblatts

- (1) Den Hebel bis zum Anschlag öffnen. (Abb. 1-I)
- (2) Das angebrachte Sägeblatt entfernen.
- (3) Das neue Sägeblatt bis zum Anschlag in den Sägeblatthalter einschieben. (Abb. 1-II)
- (4) Den Hebel schließen. (Abb. 1-III)

ACHTUNG:

- Vor dem Sägeblattwechsel den Hauptschalter ausschalten (OFF) und den Stecker aus der Steckdose ziehen.
- Den Hebel nicht öffnen, während sich der Tauchkolben bewegt.

HINWEIS:

- Sicherstellen, dass das in den Sägeblatthalter eingeschobene Sägeblatt richtig hervorsteht. (Abb. 2)
- Sicherstellen, dass das Sägeblatt in der Nut der Rolle sitzt. (Abb. 3)

6. Einstellen der Arbeitsgeschwindigkeit des Sägeblattes

Diese Stichsäge ist mit einem elektrischen Steuerkreis ausgerüstet, der stufenlose Geschwindigkeitsregelung ermöglicht. Um die Geschwindigkeit einzustellen, die Skalenscheibe die auf **Abb. 4** gezeigt ist drehen. Wenn die Scheibe auf „1“ eingestellt ist, arbeitet die Stichsäge auf Mindestgeschwindigkeit (850min⁻¹). Wenn auf „5“ eingestellt, arbeitet die Stichsäge auf Höchstgeschwindigkeit (3000min⁻¹). Die Geschwindigkeit je nach Schnittmaterial und Arbeitsleistung einstellen.

ACHTUNG:

Bei kleiner Geschwindigkeit (Skalaeinstellung: 1 oder 2), kein Holzstück von einer Dicke über 10 mm oder Stahl von einer Dicke über 1 mm schneiden.

7. Einstellen des Umlaufbetriebs

- (1) Diese Stichsäge verwendet Umlaufbetrieb, der das Sägeblatt von vorn nach hinten und auch von oben nach unten bewegt.

Den Wechsellknopf der auf **Abb. 5** gezeigt ist auf „0“ einstellen um den Umlaufbetrieb auf das Mindestmaß herabzusetzen (das Sägeblatt bewegt sich nur von oben nach unten). Der Umlaufbetrieb kann in 4 Stufen von „0“ bis „III“ gewählt werden.

- (2) Für hartes Material, wie Stahlblech, usw., den Umlaufbetrieb herabsetzen. Für weiches Material, wie Bauholz, Kunststoff, usw, den Umlaufbetrieb, um die Arbeitsleistung zu erhöhen, steigern. Um Material mit Genauigkeit zu schneiden den Umlaufbetrieb herabsetzen.

8. Sägen von rostfreien Stahlblechen

Diese Stichsäge kann mit den Sägeblättern 97 rostfreies Stahlblech sägen. Für korrekte Bedienung bitte den Abschnitt „Betreffend Sägen von rostfreien Stahlblechen“ aufmerksam durchlesen.

9. Splitterschutz

Die Verwendung des Splitterschutzes beim Schneiden von Holzmaterialien reduziert das Splittieren an der Oberfläche. Den Splitterschutz in den Zwischenraum an der Grundplatte einsetzen und bis zum Anschlag einschieben. (Siehe **Abb. 6**)

10. Hilfsgrundplatte

Verwendung der (aus Stahl hergestellten) Hilfsgrundplatte verringert den Abrieb von Aluminium, besonders beim Sägen von Metall. Verwenden der (aus Kunstharz bestehenden) Hilfsgrundplatte verringert Verkratzen der Schnittoberfläche. Bringen Sie die Hilfsgrundplatte mit den vier mitgelieferten Schrauben an der Unterseite der Grundplatte an.

11. RCD

Wir empfehlen den ständigen Einsatz eines Fehlerstromschutzschalters (FI), Nennstrom bis 30 mA.

SCHNEIDEN

ACHTUNG:

- Zur Verhütung von Loslösen oder Beschädigung des Sägeblatts bzw. übermäßigen Verschleißes des Tauchkolbens bitte sicherstellen, dass die Grundplatte beim Sägen fest am Werkstück anliegt.

1. Parallelschneiden

Beim Sägen einer geraden Linie zuerst eine Führungslinie zeichnen und dann entlang dieser Linie sägen. Verwendung der Führung (separat verkauft) macht es möglich genau geradlinig zu sägen.

- (1) Die Grundplattenschraube mit dem mitgelieferten Sechskantinnenschlüssel lösen. (Abb. 7)
- (2) Die Grundplatte voll nach vorne bewegen (**Abb. 8**) und die Grundplattenschraube wieder anziehen.
- (3) Die Führung durch das Führen durch das Anbringungsloch und anziehen der M5-Schraube anbringen. (**Abb. 9**)
- (4) Die Ringposition auf „0“ stellen.

HINWEIS:

Um genaues Schneiden bei Verwendung der Führung (**Abb. 9**) sicherzustellen, immer die Ringposition auf „0“ stellen.

2. Sägen von krummen Linien

Beim Sägen eines kleinen Kreisbogens wird die Schiebgeschwindigkeit der Maschine verringert. Wenn die Maschine zu schnell geschoben wird, könnte das zum zerbrechen des Sägeblatts führen.

3. Schneiden eines Kreises oder eines Bogens

Die Führung ist auch bei Kreisschnitten hilfreich. Nach Anbringen der Führung wie oben beschrieben, einen Nagel oder eine Schraube durch das Loch in der Führung in das Material treiben, und dann diesen Punkt als Mittelpunkt für das Sägen benutzen. (**Abb. 10**)

HINWEIS:

Kreisschneiden muss mit dem Sägeblatt etwa senkrecht zur unteren Oberfläche der Grundplatte durchgeführt werden.

4. Schneiden von Metallen

- (1) Die Drehzahleinstellung auf einen Wert zwischen „3“ und „4“ einstellen.
- (2) Die Ringposition auf „0“ oder „1“ stellen.
- (3) Immer eine angemessene Schneidflüssigkeit (Spindelöl, Seifenwasser usw.) verwenden. Wenn keine Schneidflüssigkeit zur Verfügung steht, so tragen Sie Schmierfett auf die Rückseite des zu schneidenden Materials auf.

5. Schneiden von Löchern

- (1) In Schnittholz
Die Schnittrichtung wird der Faserrichtung des Holzes angepasst. Es wird Schritt für Schritt geschnitten, bis ein Fenster in der Mitte des Schnittholzes entstanden ist. (Abb. 11)
- (2) In anderen Materialien
Beim Schneiden eines Fensters in anderen Materialien als Holz wird zu Anfang ein Loch mit einer Bohrmaschine oder einem ähnlichen Werkzeug gebohrt, von dem aus das Schneiden beginnt.

6. Schrägschnitte

- Die Grundplatte kann für Winkelschnitte bis zu 45° nach beiden Seiten geschwenkt werden. (Abb. 12)
- (1) Die Grundplattenschraube mit dem mitgelieferten Sechskantinnenschlüssel lösen und die Grundplatte voll nach vorne bewegen. (Abb. 7, 8)
- (2) Die Skala (von 0 bis 45 Grad in Schritten von 45 Grad) des halbrunden Teils der Basis auf die Markierung [▽] an der Getriebeabdeckung ausrichten. (Abb. 13)
- (3) Die M5-Schraube wieder anziehen. (Abb. 7)
- (4) Die Ringposition auf „0“ stellen.

HINWEIS:

Winkelschnitte können nicht gemacht werden, wenn der Staubsammler angebracht ist.

ANSCHLUSS AN EINEN STAUBSAUGER

Durch Anschluss an einen Staubsauger (separat verkauft) über den Staubsammler und einen Adapter (separat verkauft) kann der größte Teil des Staubs gesammelt werden.

- (1) Den Sechskantinnenschlüssel von der Grundplatte entfernen.
- (2) Die Grundplatte voll nach vorne bewegen. (Abb. 7, 8)
- (3) Den Staubsammler mit dem Adapter anbringen. (Abb. 14)
- (4) Den Adapter mit der Nase des Staubsaugers verbinden. (Abb. 14)
- (5) Den Staubsammler in das hintere Loch der Grundplatte einschieben, bis der Haken in die Nut einrastet. (Abb. 15)
- (6) Den Haken drücken, um den Staubsammler zu entfernen.

HINWEIS:

Tragen Sie zusätzlich eine Staubmaske, sofern vorhanden.

BETREFFEND SÄGEN VON ROSTFREIEN STAHLBLECHEN

ACHTUNG:

Zur Verhütung von Loslösen oder Beschädigung des Sägeblatts bzw. übermäßigen Verschleißes des Tauchkolbens bitte sicherstellen, dass die Grundplatte beim Sägen fest am Werkstück anliegt.

Beim sägen von rostfreien Stahlblechen die Einheit wie unten angegeben einstellen:

1. Geschwindigkeitseinstellung

Sägeblatt	Dicke des Materials	Drehscheibenskala
Nr. 97	1,5 bis 2,5 mm	Mittellinienstellung zwischen den Werten „2“ und „3“ auf der Skala

HINWEIS:

Die Drehreglerskalen-Anzeige dient nur als Bezugswert. Je höher die Geschwindigkeit ist, destoschneller wird das Material gesägt. Die Lebensdauer des Sägeblattes aber wird in diesem Fall verringert. Wenn die Geschwindigkeit zu niedrig ist, nimmt das Sägen längere Zeit in Anspruch, aber die Lebensdauer wird verlängert. Die Einstellung nach Wunsch vornehmen.

2. Die Orbitalstellung „0“ wählen

HINWEIS:

- Beim Sägen immer Sägeflüssigkeit verwenden (Ölschneideflüssigkeit), um die Lebensdauer des Sägeblattes zu verlängern.

AUSWAHL DER SÄGEBLÄTTER

○ **Standardzubehör**

Für maximale Leistung ist es sehr wichtig, das Sägeblatt auszuwählen, das sich bei den Eigenschaften des zu schneidenden Materials am besten eignet. Als Standardzubehör werden drei Sägeblatttypen geliefert. Die Nummer des Sägeblatts ist in der Nähe der Halterung jedes Sägeblatts eingraviert. Das geeignete Sägeblatt wird anhand der **Tabelle 1** bestimmt.

AUFBEWAHRUNG DES SECHSKANTINNENSCHLÜSSELS

Der Sechskantinnenschlüssel kann an der Grundplatte angebracht werden. (siehe **Abb. 16**)

WARTUNG UND INSPEKTION

1. Inspektion des Sägeblatts

Die Weiterverwendung eines stumpfen oder beschädigten Sägeblatts führt zu verminderter Schnittleistung und kann eine Überbelastung des Motors hervorrufen. Das Sägeblatt wird durch ein neues ersetzt, wenn übermäßige Abnutzung festgestellt wird.

2. Inspektion der Befestigungsschrauben

Alle Befestigungsschrauben werden regelmäßig inspiziert und geprüft, ob sie gut angezogen sind. Wenn sich eine der Schrauben lockert, muß sie sofort wieder angezogen werden. Geschieht das nicht, kann das zu erheblichen Gefahren führen.

3. Wartung des Motors

Die Motorwicklung ist das „Herz“ des Elektrowerkzeugs. Daher ist besonders sorgfältig darauf zu achten, daß die Wicklung nicht beschädigt wird und/oder mit Öl oder Wasser in Berührung kommt.

4. Inspektion der Kohlebürsten

Zur Erhaltung Ihrer Sicherheit und des Schutzes gegen elektrischen Schlag sollten Inspektion und Auswechseln der Kohlebürsten **NUR DURCH EIN AUTORISIERTES HIKOKI-WARTUNGSZENTRUM** durchgeführt werden.

5. Auswechseln des Netzkabels

Wenn das Netzkabel des Werkzeugs beschädigt wird, muss das Werkzeug zum Auswechseln des Netzkabels an ein von HIKOKI autorisiertes Wartungszentrum zurückgegeben werden.

6. Liste der Wartungsteile

ACHTUNG

Reparatur, Modifikation und Inspektion von HiKOKI-Elektrowerkzeugen müssen durch ein Autorisiertes HiKOKI-Wartungszentrum durchgeführt werden.

Diese Teileliste ist hilfreich, wenn sie dem Autorisierten HiKOKI-Wartungszentrum zusammen mit dem Werkzeug für Reparatur oder Wartung ausgehändigt wird.

Bei Betrieb und Wartung von Elektrowerkzeugen müssen die Sicherheitsvorschriften und Normen beachtet werden.

MODIFIKATIONEN

HiKOKI-Elektrowerkzeuge werden fortwährend verbessert und modifiziert, um die neuesten technischen Fortschritte einzubauen.

Dementsprechend ist es möglich, daß einige Teile ohne vorherige Benachrichtigung geändert werden.

GARANTIE

Auf HiKOKI-Elektrowerkzeuge gewähren wir eine Garantie unter Zugrundelegung der jeweils geltenden gesetzlichen und landesspezifischen Bedingungen. Dieses Garantie erstreckt sich nicht auf Gehäusedefekte und nicht auf Schäden, die auf Missbrauch, bestimmungswidrigen Einsatz oder normalen Verschleiß zurückzuführen sind. Im Schadensfall senden Sie das nicht zerlegte Elektrowerkzeug zusammen mit dem GARANTIESCHEIN, den Sie am Ende der Bedienungsanleitung finden, an ein von HiKOKI autorisiertes Servicecenter.

HINWEIS:

Aufgrund des ständigen Forschungs- und Entwicklungsprogramms von HiKOKI sind Änderungen der hierin gemachten technischen Angaben nicht ausgeschlossen.

Information über Betriebslärm und Vibration

Die gemessenen Werte wurden entsprechend EN60745 bestimmt und in Übereinstimmung mit ISO 4871 ausgewiesen.

Gemessener A-gewichteter Schallpegel: 96 dB (A)

Gemessener A-gewichteter Schalldruck: 85 dB (A)

Messunsicherheit KpA: 3 dB (A)

Gehörschutz tragen.

Gesamtvibrationswerte (3-Achsen-Vektorsumme), bestimmt gemäß EN60745.

Sägen von Holz:

Vibrationsemissionswert **ah, CW** = 9,0 m/s²

Messunsicherheit K = 1,5 m/s²

Sägen von Blech:

Vibrationsemissionswert **ah, CM** = 13,2m/s²

Messunsicherheit K = 1,5 m/s²

Die angegebenen Gesamtvibrationswerte wurden entsprechend einem standardisierten Testverfahren gemessen und können dazu verwendet werden, Werkzeuge miteinander zu vergleichen.

Außerdem können sie zur vorbereitenden Expositionseinschätzung verwendet werden.

WARNUNG

- Der Vibrationsemissionswert während der tatsächlichen Benutzung des Elektrowerkzeugs kann von dem deklarierten Gesamtwert abweichen, abhängig davon, wie das Werkzeug verwendet wird.
- Zur Festlegung der Sicherheitsmaßnahmen zum Schutz des Bedieners, die auf einer Expositionseinschätzung unter den tatsächlichen Benutzungsbedingungen beruhen (unter Berücksichtigung aller Bereiche des Betriebszyklus, darunter neben der Triggerzeit auch die Zeiten, in denen das Werkzeug ausgeschaltet ist oder im Leerlaufbetrieb läuft).

Tabelle 1 Liste der geeigneten Sägeblätter

Zu schneiden- des Material	Sägeblätter	Nr. 1	Nr. 1	Nr. 11	Nr. 12,	Nr. 15	Nr. 16,	Nr. 21	Nr. 22	Nr. 41	Nr. 97	123X
		(Lang)	(Extralang)		42		46					
Materialqualität		Dicke des Materials (mm)										
Schnittholz	Allgemeines Schnittholz	Unter 90	Unter 90	10 ~ 55	Unter 20			10 ~ 55	5 ~ 40	10 ~ 65		
	Furnierplatten			5 ~ 30	Unter 10			5 ~ 30	3 ~ 20			
Eisenblech	Flßstahlblech					3 ~ 6	Unter 3				2 ~ 5	1,5 ~ 8
	Rostfreies Stahlblech										1,5 ~ 2,5	
Nichteisen- metalle	Aluminium, Kupfer, Messing					3 ~ 12	Unter 3				Unter 5	
	Aluminiumschürze					Hohe bis zu 25					Hohe bis zu 25	Hohe bis zu 30
Kunststoffe	Phenolharz, Melaminharz, usw.					5 ~ 20	Unter 6	5 ~ 15	Unter 6		5 ~ 15	
	Vinylchlorid, Acrylharz, usw.			5 ~ 30	Unter 10	5 ~ 20	Unter 5	5 ~ 30	3 ~ 20		5 ~ 15	
	Geschäumtes Polyäthylen, Geschäumtes Styrol			10 ~ 55	3 ~ 25	5 ~ 25	3 ~ 25	10 ~ 55	3 ~ 40		5 ~ 25	
Holzfaser- material	Pappe, Wellpappe			10 ~ 55	3 ~ 25			10 ~ 55	3 ~ 40			
	Hartfaserplatte					3 ~ 25	Unter 6				3 ~ 25	
	Faserplatte						Unter 6					

HINWEIS:

○ Der Mindest-Schnitttradius von Sägeblatt Nr. 1 (Lang), Nr. 1 (Extralang), Nr. 21, Nr. 22 und Nr. 41 ist 100 mm.

AVERTISSEMENTS DE SÉCURITÉ GÉNÉRAUX CONCERNANT LES OUTILS ÉLECTRIQUES

⚠ AVERTISSEMENT

Lire tous les avertissements de sécurité et toutes les instructions.

Tout manquement à observer ces avertissements et instructions peut engendrer des chocs électriques, des incendies et/ou des blessures graves.

Conservez tous les avertissements et toutes les instructions pour vous y référer ultérieurement.

Leterme "outil électrique", utilisé dans les avertissements, se réfère aux outils électriques (câblé) ou aux outils à piles (sans fil).

1) Sécurité sur l'aire de travail

- a) **Maintenir l'aire de travail propre et bien éclairée.**

Les endroits encombrés ou sombres sont propices aux accidents.

- b) **Ne pas utiliser d'outils électriques en présence de liquides, gaz ou poussière inflammables, au risque de provoquer une explosion.**

Les outils électriques créent des étincelles susceptibles d'enflammer la poussière ou les vapeurs.

- c) **Ne pas laisser les enfants et les visiteurs s'approcher de vous lorsque vous utilisez un outil électrique.**

Les distractions peuvent faire perdre le contrôle.

2) Sécurité électrique

- a) **Les prises de l'outil électrique doivent correspondre à la prise secteur.**

Ne jamais modifier la prise.

Ne pas utiliser d'adaptateurs avec les outils électriques mis à la masse.

Les prises non modifiées et les prises secteurs correspondantes réduisent les risques de choc électrique.

- b) **Éviter tout contact avec les surfaces mises à la masse telles que les tuyaux, radiateurs, bandes et réfrigérateurs.**

Le risque de choc électrique est accru en cas de mise à la masse du corps.

- c) **Ne pas exposer les outils électriques à la pluie ou à des conditions humides.**

Si l'eau pénètre dans l'outil, cela augmente les risques de choc électrique.

- d) **Ne pas utiliser le cordon à tort. Ne jamais utiliser le cordon pour transporter ou débrancher l'outil électrique.**

Maintenir le cordon loin de la chaleur, de l'huile, des bords pointus ou des pièces mobiles.

Les cordons endommagés ou usés augmentent les risques de choc électrique.

- e) **En cas d'utilisation d'un outil électrique à l'extérieur, utiliser un cordon de rallonge adapté à un usage extérieur.**

L'utilisation d'un cordon adapté à l'usage extérieur réduit les risques de choc électrique.

- f) **Si vous devez utiliser un outil électrique dans un endroit humide, utilisez une alimentation protégée contre les courants résiduels.**

L'utilisation d'un dispositif de protection contre les courants résiduels réduit le risque de choc électrique.

3) Sécurité personnelle

- a) **Restez alerte, regarder ce que vous faites et utilisez de votre bon sens en utilisant un outil électrique.**

Ne pas utiliser d'outil électrique si vous êtes sous l'influence de drogues, d'alcool ou de médicaments.

Pendant l'utilisation d'outils électrique, un instant d'inattention peut entraîner des blessures graves.

- b) **Utiliser un équipement de protection individuelle. Toujours porter des verres de protection.**

L'utilisation d'équipements de protection tels que les masques anti-poussière, les chaussures de sécurité anti-dérapantes, les casques ou les protections auditives dans des conditions appropriées réduisent les risques de blessures.

- c) **Empêcher les démarrages intempestifs. Veiller à ce que l'interrupteur soit en position d'arrêt avant de brancher à une source d'alimentation et/ou une batterie, de ramasser l'outil au sol ou de le transporter.**

Transporter les outils électriques avec le doigt sur l'interrupteur ou brancher les outils électriques avec l'interrupteur en position de marche peut entraîner des accidents.

- d) **Retirer toute clé de sécurité ou clé avant de mettre l'outil électrique en marche.**

Laisser une clé ou une clé de sécurité sur une partie mobile de l'outil électrique peut engendrer des blessures.

- e) **Ne pas trop se pencher. Toujours garder une bonne assise et un bon équilibre pendant le travail.**

Cela permet un meilleur contrôle de l'outil électrique dans des situations imprévisibles.

- f) **Porter des vêtements adéquats. Ne pas porter de vêtements amples ni de bijoux. Maintenir les cheveux, les vêtements et les gants loin des pièces mobiles.**

Les vêtements amples ou les cheveux longs peuvent se prendre dans les pièces mobiles.

- g) **En cas de dispositifs destinés au raccordement d'installations d'extraction et de recueil de la poussière, veiller à ce qu'ils soient correctement raccordés et utilisés.**

L'utilisation d'un dispositif de collecte de la poussière peut réduire les dangers associés à la poussière.

4) Utilisation et entretien d'un outil électrique

- a) **Ne pas forcer sur l'outil électrique. Utiliser l'outil électrique adapté à vos travaux.**

Le bon outil électrique fera le travail mieux et en toute sécurité au régime pour lequel il a été conçu.

- b) **Ne pas utiliser l'outil électrique si l'interrupteur ne le met pas en position de marche et d'arrêt.**

Tout outil ne pouvant être contrôlé par l'interrupteur est dangereux et doit être réparé.

- c) **Débrancher la prise et/ou la batterie avant de procéder à des réglages, au remplacement des accessoires ou au stockage des outils électriques.**

Ces mesures préventives de sécurité réduisent les risques de démarrage accidentel de l'outil électrique.

- d) **Stockez les outils électriques inutilisés hors de la portée des enfants et ne pas laisser des personnes non familiarisées avec l'outil ou ces instructions utiliser l'outil électrique.**

Les outils électriques sont dangereux entre les mains d'utilisateurs non habilités.

- e) **Entretien les outils électriques. Vérifier l'absence de mauvais alignement ou d'arrêt, d'endommagement de pièces ou toute autre condition susceptible d'affecter l'opération de l'outil.**

Si l'outil est endommagé, le faire réparer avant utilisation. De nombreux accidents sont dus à des outils mal entretenus.

- f) **Maintenir les outils coupants aiguisés et propres.**
Des outils coupants bien entretenus avec des bords aiguisés sont moins susceptibles de se coincer et plus simples à contrôler.
- g) **Utiliser l'outil électrique, les accessoires et les mèches de l'outil, etc. conformément à ces instructions en tenant compte des conditions d'utilisation et du travail à réaliser.**
L'utilisation de l'outil électrique pour des opérations différentes de celles pour lesquelles il a été conçu est dangereuse.

5) Service

- a) **Faire entretenir l'outil électrique par un technicien habilité à l'aide de pièces de rechange identiques exclusivement.**
Cela garantira le maintien de la sécurité de l'outil électrique.

PRECAUTIONS

Maintenir les enfants et les personnes infirmes éloignés.

Lorsque les outils ne sont pas utilisés, ils doivent être rangés hors de portée des enfants et des personnes infirmes.

SPECIFICATIONS

Tension (par zone)*	(110 V, 115 V, 120 V, 127 V, 220 V, 230 V, 240 V) ~
Puissance*	705 W
Profondeur max. de coupe	Bois 90 mm Acier doux 8 mm
Vitesse sans charge	850 – 3000 min ⁻¹
Course	20 mm
Rayon min. de coupe	25 mm
Poids (sans fil)	2,2 kg

*Assurez-vous de vérifier la plaque signalétique sur le produit qui peut changer suivant les régions.

ACCESSOIRES STANDARDS

- (1) Lames (No. 41) 1
 Se référer au **Tableau 1** pour l'utilisation des lames.
- (2) Clef à barre hexagonale 1
 Les accessoires standards sont sujets à changement sans préavis.

ACCESSOIRES A OPTION ... vendus séparément

- (1) Les différents types de lame
 Se référer au **Tableau 1** pour l'utilisation des lames.
- (2) Guide
- (3) Socle auxiliaire
- (4) Etabli (Modèle TR12-B)
- (5) Anti-éclats
- (6) Adaptateur pour la collecte de poussière
 Les accessoires à option sont sujets à changement sans préavis.

APPLICATIONS

- Coupe de différentes sortes de bois de charpente et découpe d'ouvertures
- Coupe de plaques en acier doux, plaques en aluminium et en cuivre
- Coupe de résines synthétiques comme résine phénolique et chlorure de vinyle
- Coupe de matériaux de construction peu épais et tendres
- Coupe de plaque d'acier inoxydable (avec les lames No. 97)

PRECAUTIONS POUR L'UTILISATION DE LA SCIE A SAUTEUSE

- 1. Tenir l'outil électrique par les surfaces isolées permettant de l'agripper pour effectuer une opération où l'accessoire de coupe peut entrer en contact avec des fils électriques masqués ou son propre cordon.**
 Le contact de l'accessoire de coupe avec un fil sous tension peut transmettre du courant dans les pièces métalliques exposées de l'outil et communiquer une décharge électrique à l'opérateur.
- 2. Cette machine utilise un moteur à puissance élevée.**
 Si la machine est utilisée continuellement à faible vitesse, une charge supplémentaire est appliquée au moteur et peut en provoquer son mauvais fonctionnement. Toujours utiliser la scie de façon à ne pas coincer la lame dans la pièce lors de son usage. Toujours régler la vitesse de la lame pour permettre une coupe en douceur.

AVANT LA MISE EN MARCHÉ

- 1. Source de puissance**
 S'assurer que la source de puissance à utiliser correspond à la puissance indiquée sur la plaque signalétique du produit.
- 2. Interrupteur de puissance**
 S'assurer que l'interrupteur de puissance est en position ARRET. Si la fiche est branchée alors que l'interrupteur est sur MARCHE, l'outil démarre immédiatement et peut provoquer un grave accident.
- 3. Fil de rallonge**
 Lorsque la zone de travail est éloignée de la source de puissance, utiliser un fil de rallonge d'une épaisseur suffisante et d'une capacité nominale suffisante. Le fil de rallonge doit être aussi court que possible.
- 4. Poussière produite en cours d'utilisation**
La poussière générée par une utilisation normale peut affecter la santé de l'opérateur. Nous vous recommandons de respecter l'une des mesures suivantes.

- a) **Port d'un masque anti-poussière**
- b) **Utilisation d'un équipement de collecte de poussière externe.**

En cas d'utilisation de l'équipement de collecte de la poussière externe, raccordez l'adaptateur au flexible de l'équipement de collecte de la poussière.

5. Remplacement des lames

- (1) Ouvrir le levier jusqu'à la butée. (Fig. 1-I)
- (2) Retirer la lame.
- (3) Insérer la nouvelle lame jusqu'à la butée dans le support de lame. (Fig. 1-II)
- (4) Refermer le levier. (Fig. 1-III)

ATTENTION :

- Bien mettre l'interrupteur sur OFF et débrancher la fiche de la prise secteur avant de remplacer les lames.
- Ne pas ouvrir le levier pendant que le plongeur bouge.

REMARQUE :

- S'assurer que les saillies de la lame rentrent à fond dans le support de lame. (Fig. 2)
- S'assurer que la lame est située dans la rainure du rouleau. (Fig. 3)

6. Réglage de la vitesse de fonctionnement de la lame

La scie à chantourner est équipée d'un circuit de contrôle électrique qui permet un contrôle de vitesse progressif.

Pour régler la vitesse, tourner le cadran montré à la Fig. 4. Quand le cadran est réglé sur "1", la scie sauteuse fonctionne à la vitesse minimale (850 min⁻¹).

Quand le cadran est réglé sur "5" la sauteuse fonctionne à la vitesse maximale (3000min⁻¹).

Régler la vitesse suivant le matériel devant être coupé et le rendement de travail.

ATTENTION :

A petite vitesse (réglage de l'échelle sur: 1 ou 2), ne pas couper une pièce de bois ayant plus de 10 mm d'épaisseur ou une pièce d'acier ayant plus de 1 mm d'épaisseur.

7. Réglage du fonctionnement orbital

- (1) La scie à chantourner utilise un fonctionnement orbital qui déplace la lame d'avant en arrière et de haut en bas. Régler le bouton de changement montré à la Fig. 5 sur "0" pour minimiser le fonctionnement orbital (la lame ne se déplace que de haut en bas). Le fonctionnement orbital peut être sélectionné en quatre étapes de "0" à "III".
- (2) Pour les matériaux durs, tels que plaques d'acier, etc., réduire le fonctionnement orbital. Pour les matériaux mous, tels que bois de charpente, matières plastiques, etc., augmenter le fonctionnement orbital pour accroître le rendement du travail. Pour couper les matériaux avec précision, réduire le fonctionnement orbital.

8. Découpage de plaques en acier inoxydable

Cette scie à chantourner pourra couper des plaques d'acier inoxydable si l'on utilise les lames No. 97. Lire avec attention la partie intitulée "Au sujet du découpage de plaques en acier inoxydable" pour un fonctionnement correct.

9. Anti-éclats

L'utilisation de l'anti-éclats pendant la coupe de matériaux en bois réduit considérablement les éclats de copeaux sur la surface de coupe.

Insérer l'anti-éclats dans l'espace sur la base, et le pousser à fond. (Voir Fig. 6)

10. Socle auxiliaire

L'utilisation du socle auxiliaire (en acier) réduira l'abrasion du socle en aluminium, en particulier lors de la coupe de métaux.

L'utilisation du socle auxiliaire (en résine) réduira les rayures de la surface de coupe. Fixer le socle auxiliaire sur le fond du socle à l'aide des 4 vis.

11. RCD

Il est recommandé de toujours utiliser un disjoncteur avec un courant résiduel de 30 mA ou moins.

COUPE

ATTENTION :

- Pour éviter un délogement de la lame, des dommages ou une usure excessive du plongeur, bien fixer la surface de la plaque du socle à la pièce pendant le sciage.

1. Coupe rectilinéaire

Pour couper en ligne droite, dessiner tout d'abord une ligne de repère et avancer la scie le long de cette ligne. L'utilisation du guide (vendu séparément) permettra de couper très précisément en ligne droite.

- (1) Desserrer le boulon de la base avec la clé à barre hexagonale fixée à la base. (Fig. 7)
- (2) Déplacer la base à fond vers l'avant (Fig. 8), puis resserrer le boulon de la base.
- (3) Fixer le guide en le faisant passer dans l'orifice de fixation de la base et serrer le boulon M5. (Fig. 9)
- (4) Régler la position orbitale sur "0".

REMARQUE :

Pour assurer une coupe précise lors de l'utilisation du guide (Fig. 9), toujours régler la position orbitale sur "0".

2. Sciage de lignes courbes

Pour scier un petit arc circulaire, réduire la vitesse d'alimentation de la machine. Une vitesse trop rapide pourrait provoquer la rupture de la lame.

3. Coupe d'un cercle ou d'un arc circulaire

Le guide est également utile pour la coupe en cercle. Après avoir fixé le guide de la même façon qu'expliqué ci-dessus, faire passer le clou ou la vis dans la pièce par l'orifice du guide, puis l'utiliser comme axe pour la coupe. (Fig. 10)

REMARQUE :

La coupe en cercle doit être effectuée avec la lame placée environ à la verticale par rapport à la surface du fond de la base.

4. Coupe de matériaux métalliques

- (1) Régler la bague de vitesse entre les échelles "3" et "4".
- (2) Régler la position orbitale sur "0" ou "1".
- (3) Toujours utiliser un liquide de coupe approprié (huile à broche, eau savonneuse, etc.). Si l'on ne possède pas de liquide de coupe, appliquer de la graisse sur la surface arrière du matériau à couper.

5. Découpe d'ouvertures

- (1) Dans du bois de charpente :
En alignant la direction de la lame sur le grain du bois, couper morceau par morceau jusqu'à ce qu'une ouverture soit coupée au centre du bois. (Fig. 11)
- (2) Dans d'autres matériaux :
Pour couper une ouverture dans des matériaux autres que le bois de charpente, percer d'abord un trou avec une perceuse ou un outil similaire à partir duquel commencera la coupe.

6. Coupe angulaire

La base peut pivoter de 45° des deux côtés pour la coupe angulaire. (Fig. 12)

- (1) Desserrer le boulon de la base avec la clé à barre hexagonale fixée à la base. (Fig. 7, 8)
- (2) Aligner l'échelle (de 0 degré à 45 degrés par incréments de 15 degrés) de la section semi-circulaire de la base sur le repère [▽] du couvercle du réducteur. (Fig. 13)
- (3) Resserrer le boulon M5. (Fig. 7)

(4) Régler la position orbitale sur "0".

REMARQUE :

La coupe angulaire n'est pas possible si l'on fixe le collecteur à poussière.

Choisir les lames appropriées en se référant au **Tableau 1**.

RACCORDEMENT AU NETTOYEUR

Si l'on raccorde le nettoyeur (vendu séparément) par le collecteur à poussière et l'adaptateur (vendus séparément), on pourra recueillir la plus grande partie des poussières.

- (1) Retirer la clé à barre hexagonale de la base.
- (2) Déplacer la base à fond vers l'avant. (**Fig. 7, 8**)
- (3) Raccorder le collecteur à poussière à l'adaptateur. (**Fig. 14**)
- (4) Raccorder l'adaptateur au bec du nettoyeur. (**Fig. 14**)
- (5) Insérer le collecteur à poussière dans l'orifice arrière de la base jusqu'à ce que le crochet s'enclenche dans la rainure. (**Fig. 15**)
- (6) Appuyer sur le crochet pour retirer le collecteur à poussière.

REMARQUE :

Portez un masque anti-poussière si nécessaire.

AU SUJET DU DÉCOUPAGE DE PLAQUES EN ACIER INOXYDABLE

ATTENTION :

Pour éviter un délogement de la lame, des dommages ou une usure excessive du plongeur, bien fixer la surface de la plaque du socle à la pièce pendant le sciage.

En coupant des plaques en acier inoxydable, régler l'appareil de la façon suivante.

1. Pour régler la vitesse

Lame	Épaisseur du matériau	Echelle du cadran gradué
No. 97	1,5 – 2,5 mm	A positionner sur le sillon à mi-chemin entre les graduations "2" et "3"

REMARQUE :

L'échelle du cadran gradué n'est qu'une référence. Plus la vitesse est élevée, le plus rapidement sera coupé le matériau, mais la durée de vie de la lame sera réduite dans ce cas là. Lorsque la vitesse est réduite, la coupe prendra plus de temps, mais la durée de vie sera prolongée. Faire les ajustements selon préférence.

2. Régler la position orbitale sur "0"

REMARQUE :

- En coupant, faire usage de fluide de coupe (fluide de coupe à base d'huile) pour prolonger la durée de vie de la lame.

CHOIX DES LAMES

○ **Lames accessoires**

Pour obtenir un fonctionnement optimal et les meilleurs résultats possibles, il est très important de choisir la lame la mieux appropriée au type et à l'épaisseur du matériau à couper. Trois modèles de lame sont fournis comme accessoires standards. Le numéro de lame est gravé près de la section de montage de chaque lame.

RANGEMENT DE LA CLÉ À BARRE HEXAGONALE

Il est possible de ranger la clé à barre hexagonale dans la base. (Voir **Fig. 16**)

ENTRETIEN ET CONTROLE

1. Contrôle de la lame

L'utilisation continue d'une lame émoussée ou abîmée peut conduire à une réduction de l'efficacité de coupe et provoquer une surcharge du moteur. Remplacer la lame par une nouvelle dès que des traces d'abrasion apparaissent.

2. Contrôle des vis de montage

Vérifier régulièrement les vis de montage et s'assurer qu'elles sont correctement serrées. Resserrer immédiatement toute vis desserrée. Sinon, il y a danger sérieux.

3. Entretien du moteur

Le bobinage de l'ensemble moteur set le "coeur" même de l'outil électro-portatif. Veiller soigneusement à ce que ce bobinage ne soit pas endommagé et/ou mouillé par de l'huile ou de l'eau.

4. Inspection des balais en carbone

Pour assurer à tout moment la sécurité et la protection contre les chocs électrique, confier l'inspection et le remplacement des balais en carbone de l'outil EXCLUSIVEMENT à un centre de service après-vente agréé par HiKOKI.

5. Remplacement du cordon d'alimentation

Si le cordon d'alimentation de l'outil est endommagé, rapporter l'outil à un service après-vente HiKOKI agréé pour faire remplacer le cordon.

6. Liste des pièces de rechange

ATTENTION

Les réparations, modifications et inspections des outils électriques HiKOKI doivent être confiées à un centre de service après-vente HiKOKI agréé.

Il sera utile de présenter cette liste de pièces à un centre de service après-vente HiKOKI agréé lorsqu'on apporte un outil nécessitant des réparations ou tout autre entretien.

Lors de l'utilisation et de l'entretien d'un outil électrique, respecter les règlements et les normes de sécurité en vigueur dans le pays en question.

MODIFICATIONS

Les outils électriques HiKOKI sont constamment améliorés et modifiés afin d'incorporer les tous derniers progrès technologiques.

En conséquence, il est possible que certaines pièces soient modifiées sans avis préalable.

GARANTIE

Nous garantissons que l'ensemble des Outils électriques HiKOKI sont conformes aux réglementations spécifiques statutaires/nationales. Cette garantie ne couvre pas les défauts ni les dommages inhérents à une mauvaise utilisation, une utilisation abusive ou l'usure et les dommages normaux. En cas de réclamation, veuillez envoyer l'Outil électrique, en l'état, accompagné du CERTIFICAT DE GARANTIE qui se trouve à la fin du Mode d'emploi, dans un service d'entretien autorisé.

REMARQUE :

Par suite du programme permanent de recherche et de développement HiKOKI, ces spécifications peuvent faire l'objet de modifications sans avis préalable.

Au sujet du bruit et des vibrations

Les valeurs mesurées ont été déterminées en fonction de la norme EN60745 et déclarées conforme à ISO 4871.

Niveau de puissance sonore pondérée A: 96 dB (A)
Niveau de pression acoustique pondérée A: 85 dB (A)
Incertitude K_{pA}: 3 dB (A)

Porter des protections anti-bruit.

Valeurs totales des vibration (somme vectorielle triaxiale) déterminée conformément à EN60745.

Couper du bois:
Valeur d'émission de vibration **a_h**, **CW** = 9,0 m/s²
Incertitude K = 1,5 m/s²

Couper de la tôle:
Valeur d'émission de vibration **a_h**, **CM** = 13,2 m/s²
Incertitude K = 1,5 m/s²

La valeur totale des vibrations a été mesurée par une méthode d'essai standard et peut être utilisée pour comparer un outil à un autre.

Elle peut également être utilisée pour une évaluation préliminaire du niveau d'exposition.

AVERTISSEMENT

- La valeur d'émission de vibration en fonctionnement de l'outil électrique peut être différente de la valeur totale déclarée, en fonction des utilisations de l'outil.
- Pour identifier les mesures de protection de l'utilisateur fondées sur une estimation de l'exposition en conditions d'utilisation (tenant compte de tous les aspects du cycle d'utilisation, tels que les moments où l'outil est mis hors tension ou lorsqu'il tourne à vide en plus des temps de déclenchements).

Tableau 1 Liste des lames appropriées

Matériau à couper	Lame	No. 1 (Long)	No. 1 (Super long)	No. 11	No. 12, 42	No. 15	No. 16, 46	No. 21	No. 22	No. 41	No. 97	123X
		Epaisseur du matériau (mm)										
Bois de charpene	Bois de charpente général	Moins 90	Moins 90	10 ~ 55	Moins 20			10 ~ 55	5 ~ 40	10 ~ 65		
	Contreplaqué			5 ~ 30	Moins 10			5 ~ 30	3 ~ 20			
Plaque en fer	Plaque en acier doux					3 ~ 6	Moins 3				2 ~ 5	1,5 ~ 8
	Plaque en acier inoxydable										1,5 ~ 2,5	
Métal nonferreux	Auminium, cuivre, lation					3 ~ 12	Moins 3				Moins 5	
	Chassis en aluminium					Hauteur allant jusqu'à 25					Hauteur allant jusqu'à 25	Hauteur allant jusqu'à 30
Matières plastiques	Résine phénolique, résine mélamine, etc.					5 ~ 20	Moins 6	5 ~ 15	Moins 6		5 ~ 15	
	Chlorure de vinyl, résine acrylique, etc.			5 ~ 30	Moins 10	5 ~ 20	Moins 5	5 ~ 30	3 ~ 20		5 ~ 15	
	Polyéthylène mousseux, styrène mousseux			10 ~ 55	3 ~ 25	5 ~ 25	3 ~ 25	10 ~ 55	3 ~ 40		5 ~ 25	
Pulpe	Carton, papier ondulé			10 ~ 55	3 ~ 25			10 ~ 55	3 ~ 40			
	Isorel					3 ~ 25	Moins 6				3 ~ 25	
	Panneau fibreux						Moins 6					

REMARQUE :

○ Le rayon de coupe minimal des lames No. 1 (Long), No. 1 (Super long), No. 21, No. 22 et No. 41 est de 100 mm.

AVVERTIMENTI GENERALI DI SICUREZZA SUGLI UTENSILI ELETTRICI

⚠ AVVERTENZA

Leggere tutti gli avvertimenti di sicurezza e tutte le istruzioni.

La mancata osservanza degli avvertimenti e delle istruzioni potrebbe essere causa di scosse elettriche, incendi e/o gravi lesioni.

Salvare tutti gli avvertimenti e le istruzioni per riferimenti futuri.

Il termine "elettroutensili" riportato nelle avvertenze si riferisce agli elettroutensili azionati con alimentazione di rete (via cavi) o a batterie (senza cavi).

1) Sicurezza dell'area operativa

a) Mantenere l'area operativa pulita e ordinata.

Aree operative sporche o disordinate possono favorire gli infortuni.

b) Non utilizzare gli elettroutensili in atmosfere esplosive, ad es. in presenza di liquidi, gas o polveri infiammabili. Gli elettroutensili generano delle scintille che potrebbero accendere la polvere o i fumi.

c) Tenere lontani bambini e astanti durante l'utilizzo degli elettroutensili.

Qualsiasi distrazione può essere causa di perdita di controllo.

2) Sicurezza elettrica

a) Le spine degli elettroutensili devono essere idonee alle prese disponibili.

Non modificare mai le prese.

Con gli elettroutensili a massa (messi a terra), non utilizzare alcun adattatore.

L'utilizzo di spine intatte e corrispondenti alle prese disponibili ridurrà il rischio di scosse elettriche.

b) Evitare qualsiasi contatto con le superfici a massa o a terra, quali tubi, radiatori, fornelli e frigoriferi.

In caso di messa a terra o massa del corpo, sussiste un maggior rischio di scosse elettriche.

c) Non esporre gli elettroutensili alla pioggia o all'umidità.

La penetrazione di acqua negli elettroutensili aumenterà il rischio di scosse elettriche.

d) Non tirare il cavo. Non utilizzarlo per il trasporto, o per tirare o scollegare l'elettroutensile.

Tenere il cavo lontano da fonti di calore, oli, bordi appuntiti o parti in movimento.

Cavi danneggiati o attorcigliati possono aumentare il rischio di scosse elettriche.

e) Durante l'uso degli elettroutensili all'esterno, utilizzare una prolunga idonea per usi esterni.

L'utilizzo di cavi per esterno riduce il rischio di scosse elettriche.

f) Se è impossibile evitare l'impiego di un utensile elettrico in un luogo umido, utilizzare l'alimentazione protetta da un dispositivo a corrente residua (RCD).

L'uso di un RCD riduce il rischio di scosse elettriche.

3) Sicurezza personale

a) Durante l'uso degli elettroutensili, state all'erta, verificate ciò che state eseguendo e adottate sempre il buon senso.

Non utilizzate gli elettroutensili qualora siate stanchi, sotto l'influenza di farmaci, alcol o cure mediche.

Anche un attimo di disattenzione durante l'uso degli elettroutensili potrebbe essere causa di gravi lesioni personali.

b) Indossate l'attrezzatura di protezione personale. Indossate sempre le protezioni oculari.

L'attrezzatura protettiva, quali maschera facciale, calzature antiscivolo, caschi o protezioni oculari ridurrà il rischio di lesioni personali.

c) Impedite le accensioni involontarie. Prima del collegamento a una sorgente di alimentazione e/o pacco batteria e prima di raccogliere o trasportare l'utensile, verificate che l'interruttore sia posizionato su OFF.

Il trasporto degli elettroutensili tenendo le dita sull'interruttore o l'attivazione elettrica degli utensile che hanno l'interruttore su ON, implica il rischio di incidenti.

d) Prima di attivare l'elettroutensile, rimuovete qualsiasi chiave di regolazione.

Lasciando la chiave in un componente in rotazione dell'elettroutensile, sussiste il rischio di lesioni personali.

e) Mantenersi in equilibrio. Mantenersi sempre su due piedi, in equilibrio stabile.

Ciò consente di controllare al meglio l'elettroutensile in caso di situazioni impreviste.

f) Vestirsi in modo adeguato. Non indossare abiti larghi o gioielli. Tenere i capelli, gli abiti e i guanti lontano dalle parti in movimento.

Abiti allentati, gioielli e capelli lunghi potrebbero impigliarsi nelle parti in movimento.

g) In caso di dispositivi provvisti di collegamento ad apparecchiature di rimozione e raccolta polveri, verificare che queste siano collegate e utilizzate in modo adeguato.

L'utilizzo della raccolta della polvere può ridurre i rischi connessi alle polveri.

4) Utilizzo e manutenzione degli elettroutensili

a) Non utilizzare elettroutensili non idonei. Utilizzare l'elettroutensile idoneo alla propria applicazione.

Utilizzando l'elettroutensile corretto, si garantirà un'esecuzione migliore e più sicura del lavoro, alla velocità di progetto.

b) Non utilizzare l'elettroutensile qualora non sia possibile accenderlo/spegnarlo tramite l'interruttore.

È pericoloso utilizzare elettroutensili che non possano essere azionati dall'interruttore. Provvedere alla relativa riparazione.

c) Prima di effettuare qualsiasi regolazione, sostituire gli accessori o depositare gli elettroutensili, scollegare la spina dalla presa elettrica e/o il pacco batteria dall'utensile elettrico.

Queste misure di sicurezza preventive riducono il rischio di avvio involontario dell'elettroutensile.

d) Depositare gli elettroutensili non utilizzati lontano dalla portata dei bambini ed evitare che persone non esperte di elettroutensili o non a conoscenza di quanto riportato sulle presenti istruzioni azionino l'elettroutensile.

È pericoloso consentire che utenti non esperti utilizzino gli elettroutensili.

e) Manutenzione degli elettroutensili. Verificare che non vi siano componenti in movimento disallineati o bloccati, componenti rotti o altre condizioni che potrebbero influenzare negativamente il funzionamento dell'elettroutensile.

In caso di guasti, provvedere alla riparazione dell'elettroutensile prima di riutilizzarlo.

Molti incidenti sono causati da una scarsa manutenzione.

- f) **Mantenere gli strumenti di taglio affilati e puliti.**
Gli strumenti di taglio in condizioni di manutenzione adeguata, con bordi affilati, sono meno soggetti al bloccaggio e sono più facilmente controllabili.
- g) **Utilizzare l'elettrotensile, gli accessori, le barrette, ecc. in conformità a quanto riportato nelle presenti istruzioni, tenendo in debita considerazione le condizioni operative e il tipo di lavoro da eseguire.**

L'uso dell'utensile elettrico per operazioni diverse da quelle previste potrebbe causare una situazione pericolosa.

5) Assistenza

- a) **Affidate le riparazioni dell'elettrotensile a persone qualificate che utilizzino solamente parti di ricambio identiche.**

Ciò garantirà il mantenimento della sicurezza dell'elettrotensile.

CARATTERISTICHE

Voltaggio (per zona)*	(110 V, 115 V, 120 V, 127 V, 220 V, 230 V, 240 V) ~
Potenza assorbita*	705 W
Profondità massima di taglio	Legno 90 mm Acciaio tenero 8 mm
Velocità senza carico	850 – 3000 min ⁻¹
Corsa	20 mm
Raggio minimo di taglio	25 mm
Peso (senza cavo)	2,2 kg

*Accertatevi di aver controllato bene la piastrina perchè essa varia da zona a zona.

ACCESSORI STANDARD

- (1) Lame (n. 41) 1
 Per quanto riguarda l'uso delle lame, consultare la **Tabella 1.**
- (2) Chiave marchio esagonale 1
 Gli accessori standard possono essere cambiati senza preavviso.

ACCESSORI DISPONIBILI A RICHIESTA

... venduti separatamente

- (1) Vari tipi di lama
 Per quanto riguarda l'uso delle lame, consultare la **Tabella 1.**
- (2) Guida
 (3) Base inferiore
 (4) Supporto del tavolo da lavoro (Modello TR12-B)
 (5) Para-schegge
 (6) Adattatore per raccogliitore polvere
 Gli accessori disponibili a richiesta possono essere cambiati senza preavviso.

IMPIEGHI

- Taglio di vari tipi di legno e lavori a traforo
- Taglio di lamiera d'acciaio tenero, alluminio e rame
- Taglio di resine sintetiche quali resine fenoliche e cloruro di vinile

PRECAUZIONI

Tenere lontano dalla portata di bambini e invalidi.

Quando non utilizzati, gli strumenti dovranno essere depositi lontano dalla portata di bambini e invalidi.

PRECAUZIONI DURANTE L'USO DEL SEGNETTO ALTERNATIVO

1. **Afferrare l'utensile dalle superfici isolate quando si eseguono operazioni in cui l'attrezzo di taglio potrebbe venire a contatto con fili elettrici nascosti o con il proprio cavo.** Il contatto dell'accessorio da taglio con un filo in tensione potrebbe mettere in tensione le parti metalliche esposte dell'utensile e dare una scossa elettrica all'operatore.
2. Questo apparecchio utilizza un motore a grande potenza. Se l'apparecchio viene usato continuamente a bassa velocità, un carico addizionale viene applicato al motore e questo può causare una crisi del motore. Usate sempre l'apparecchio in modo che la lama non resti bloccata dal pezzo in lavorazione durante il funzionamento. Regolate sempre la velocità della lama in modo da ottenere un taglio scorrevole.

- Taglio di materiali da costruzione sottili e teneri
- Taglio di lamiera di acciaio inossidabile (con lama No. 97)

PRIMA DELL'USO

1. **Alimentazione**
 Assicurarsi che la rete di alimentazione che si vuole usare sia compatibile con le caratteristiche relative all'alimentazione di corrente specificate nella piastrina dell'apparecchio.
2. **Interruttore di corrente**
 Mettere l'interruttore in posizione SPENTO. Se la spina è infilata in una presa mentre l'interruttore è acceso, l'utensile elettrico si mette immediatamente in moto, facilitando il verificarsi di incidenti gravi.
3. **Prolunga del cavo**
 Quando l'ambiente di lavoro è lontano da una presa di corrente, usare una prolunga del cavo di sufficiente spessore e di prestazione adeguata. La prolunga deve essere più corta possibile.
4. **Polvere generata durante l'uso**
La polvere generata durante il normale funzionamento può essere nociva per la salute dell'operatore. Si consiglia di prendere una delle seguenti precauzioni.

- a) **Indossare una maschera per la polvere**
- b) **Usare apparecchi esterni per la raccolta della polvere**

Durante l'uso di apparecchi esterni per la raccolta della polvere, collegare l'adattatore al tubo dell'apparecchio esterno di raccolta della polvere.

5. Sostituzione delle lame

- (1) Aprire la leva sollevandola fino al fermo. (Fig. 1-I)
- (2) Togliere la lama inserita.
- (3) Inserire la nuova lama fino al fermo nel portalama. (Fig. 1-II)
- (4) Chiudere la leva. (Fig. 1-III)

ATTENZIONE:

- Assicurarsi di spegnere l'alimentazione e staccare la spina dalla presa quando si sostituiscono le lame.
- Non aprire la leva quando lo stantuffo si sposta.

NOTA:

- Verificare le sporgenze della lama inserita saldamente nel portalama. (Fig. 2)
- Assicurarsi che la lama sia posta tra la scanalatura del rullo. (Fig. 3)

6. Regolazione della velocità di funzionamento della lama

Questo seghetto è dotato di un circuito di controllo elettrico che permette di regolare la velocità in modo continuo. Per regolare la velocità far girare il selettore nel modo illustrato in Fig. 4. Quando il selettore si trova in posizione "1", la sega funziona al regime minimo (850min⁻¹). Quando il selettore si trova in posizione "5", la sega funziona al regime massimo (3000min⁻¹). Regolare la velocità a seconda del materiale da tagliare e dell'efficienza richiesta.

ATTENZIONE:

Non tagliare tavole di legno di più di 10 mm di spessore o lamiera d'acciaio di più di 1 mm a bassa velocità (selettore su 1 o 2).

7. Regolazione del funzionamento orbitale

- (1) Questo seghetto utilizza il controllo orbitale per regolare il movimento in avanti, indietro, in alto e in basso della lama. Portare la rotella cambio di Fig. 5 in posizione "0" per ridurre al minimo il movimento orbitale (la lama si muove così solo verso l'alto e il basso). Il movimento orbitale può essere regolato su quattro posizioni, da "0" a "III".
- (2) Per tagliare del materiale duro, come per esempio lamiera di acciaio, diminuire il movimento orbitale. Per tagliare invece del materiale più soffice, come per esempio legno o plastica, aumentare il movimento orbitale; si aumenta così l'efficienza di lavoro.

8. Taglio di lastre di acciaio inossidabile

Questo seghetto può tagliare lastre di acciaio inossidabile mediante le lame n°97. Leggere con attenzione la sezione "Sul taglio di lastre di acciaio inossidabile" per un uso corretto.

9. Para-schegge

Utilizzando il paraschegge durante il taglio di materiali di legno si riduce la frantumazione delle superfici tagliate. Inserire il paraschegge nello spazio alla base e premerlo in avanti completamente. (vedere Fig. 6)

10. Base inferiore

Usando la base inferiore (in acciaio) si riduce l'abrasione della base in alluminio, particolarmente quando si tagliano metalli.

L'utilizzo della base inferiore (in resina) contribuisce a ridurre i graffi alla superficie tagliata.

Collegare la base inferiore alla superficie inferiore della base mediante le 4 viti in dotazione.

11. RCD

Si raccomanda di usare sempre un interruttore differenziale con una potenza nominale di 30mA o meno.

TAGLIO

ATTENZIONE:

- Per evitare che lama si stacchi, danni o usura eccessiva dello stantuffo, assicurarsi che la superficie della piastra base sia applicata al pezzo da lavorare durante la segatura.

1. Taglio rettilineo

Quando si praticano tagli rettilinei, praticare prima una linea di demarcazione e fare avanzare il seghetto lungo la linea.

Utilizzando la guida (venduta separatamente) è possibile tagliare precisamente lungo una linea retta.

- (1) Allentare il bullone di base mediante la chiave esagonale attaccata alla base. (Fig. 7)
- (2) Spostare la base completamente in avanti (Fig. 8) e stringere nuovamente il bullone della base.
- (3) Attaccare la guida facendola passare attraverso il foro di attacco sulla base e stringere il bullone M5. (Fig. 9)
- (4) Regolare la posizione orbitale su "0".

NOTA:

Per assicurare un taglio accurato quando si usa la Guida (Fig. 9), regolare sempre la posizione orbitale su "0".

2. Taglio di linee curve

Quando si sega un piccolo arco circolare, ridurre la velocità di avanzamento dell'utensile. Se la macchina è spinta troppo in fretta si può provocare la rottura della lama.

3. Taglio a cerchio o ad arco di cerchio

La guida serve anche per i tagli circolari.

Dopo aver attaccato la guida nello stesso modo descritto sopra, introdurre il chiodo o la vite nel materiale attraverso il foro sulla guida, quindi utilizzarlo come asse durante il taglio. (Fig. 10)

NOTA:

I tagli circolari devono essere eseguiti con la lama più o meno perpendicolare alla superficie inferiore della base.

4. Taglio di materiali metallici

- (1) Regolare la ghiera di velocità tra le posizioni "3" e "4".

- (2) Regolare la posizione orbitale su "0" o "I".
- (3) Usare sempre un fluido di taglio appropriato (olio da alberino, acqua saponata, ecc.). Quando il fluido di taglio non è disponibile, applicare grasso alla superficie posteriore del materiale da tagliare.

5. Lavori a traforo

- (1) Nel legno: Allineando la direzione della lama con la venatura del legno, tagliare poco a poco fino a produrre una apertura al centro del legno. (Fig. 11)
- (2) In altri materiali: Per praticare una apertura in materiali diversi dal legno, fare prima un foro con un trapano, o con un attrezzo similare, dal quale partire per l'esecuzione del taglio.

6. Taglio ad angolo

La base può essere orientata su entrambi i lati fino a 45° per i tagli angolari. (Fig. 12)

- (1) Allentare il bullone della base mediante la chiave esagonale attaccata alla base e portare completamente in avanti la base. (Fig. 7, 8)

- (2) Allentare la scala (da 0 gradi a 45 gradi in intervalli di 15 gradi) della parte semicircolare della base con il segno [▽] sul coperchio dell'ingranaggio. (Fig. 13)
- (3) Stringere nuovamente il bullone M5. (Fig. 7)
- (4) Regolare la posizione orbitale su "0".

NOTA:

I tagli angolari non sono possibili con il raccogli-polvere.

COLLEGAMENTO AL DISPOSITIVO DI PULIZIA

Collegando il dispositivo di pulizia (venduto separatamente) attraverso il raccogli-polvere e l'adattatore (venduti separatamente), è possibile raccogliere la maggior parte della polvere.

- (1) Togliere la chiave esagonale dalla base.
- (2) Spostare completamente in avanti la base. (Fig. 7, 8)
- (3) Collegare il raccogli-polvere con l'adattatore. (Fig. 14)
- (4) Collegare l'adattatore con l'estremità anteriore del dispositivo di pulizia. (Fig. 14)
- (5) Inserire il raccogli-polvere nel foro posteriore della base finché il gancio non si inserisce nella scanalatura. (Fig. 15)
- (6) Premere il gancio per togliere il raccogli-polvere.

NOTA:

Indossare anche una maschera protettiva per la polvere, se disponibile.

SUL TAGLIO DI LASTRE DI ACCIAIO INOSSIDABILE**ATTENZIONE:**

Per evitare che lama si stacchi, danni o usura eccessiva dello stantuffo, assicurarsi che la superficie della piastra base sia applicata al pezzo da lavorare durante la segatura.

Quando tagliate lastre di acciaio inossidabile regolate l'apparecchio come descritto sotto:

1. Regolate la velocità

Lama	Spessore del materiale	Scala del quadrante
No. 97	1,5 – 2,5 mm	Posizione del solco mediano tra la scala "2" e la scala "3"

NOTA:

La lettura della scala del quadrante è solo per riferimento. Quanto maggiore è la velocità, tanto più è rapido il taglio, ma la durata della lama in questo caso si riduce. Quando la velocità è troppo bassa, il taglio richiede più tempo, ma la durata può essere prolungata. Regolate come desiderate.

2. Regolate la posizione orbitale su "0"**NOTA:**

- Quando tagliate usate fluido da taglio (fluido da taglio a base olio) per prolungare la durata della lama.

SCELTA DELLE LAME**○ Lame accessorie**

Per assicurare la massima efficacia di funzionamento e di risultati, è molto importante scegliere la lama appropriata, che viene indicata al tipo ed allo spessore del materiale da tagliare. Tre tipi di lame sono forniti come accessori standard. Il numero della

lama è riportato nei pressi della porzione di fissaggio di ogni lama. Scegliere la lama opportuna facendo riferimento alla **Tabella 1**.

ALLOGGIAMENTO DELLA CHIAVE ESAGONALE

È possibile alloggiare la chiave esagonale sulla base (Fig. 16)

MANUTENZIONE E CONTROLLI**1. Controllo della lama**

L'uso continuativo di lame danneggiate o rovinate comporta una ridotta efficacia nel taglio e può causare sovraccarico del motore. Sostituire la lama con una nuova non appena si nota una eccessiva rottura.

2. Controllo delle viti di tenuta

Controllare regolarmente tutte le viti di tenuta e assicurarsi che siano esclusivamente serrate. Nel caso che una di queste viti dovesse allentarsi riserrarla immediatamente. Se si non ottiene di farlo, si può causare una grave incidente.

3. Manutenzione del motore

L'avvolgimento del motore il vero e proprio "cuore" degli attrezzi elettrici. Fare attenzione a non danneggiare l'avvolgimento e/o non bagnarlo con olio o acqua.

4. Ispezione delle spazzole di carbone

Per mantenere la vostra sicurezza e la protezione da scosse elettriche, l'ispezione delle spazzole di carbone e la loro sostituzione su questo utensile deve essere eseguita SOLO da un CENTRO ASSISTENZA AUTORIZZATO HiKOKI.

5. Sostituzione del cavo di alimentazione

Se il cavo di alimentazione dell'attrezzo è danneggiato, l'attrezzo deve essere rinviato ad un centro assistenza autorizzato HiKOKI per la sostituzione del cavo.

6. Lista dei pezzi di ricambio**ATTENZIONE**

Riparazioni, modifiche e ispezioni di utensili elettrici HiKOKI devono essere eseguite da un centro assistenza autorizzato HiKOKI.

Questa lista dei pezzi torna utile se viene presentata con l'utensile al centro assistenza HiKOKI autorizzato quando si richiedono riparazioni o altri interventi di manutenzione. Nell'uso e nella manutenzione degli utensili elettrici devono essere osservate le normative di sicurezza e i criteri prescritti in ciascun paese.

MODIFICHE

Gli utensili elettrici HiKOKI vengono continuamente migliorati e modificati per includere le più recenti innovazioni tecnologiche.

Di conseguenza, alcuni pezzi possono essere modificati senza preavviso.

GARANZIA

Garantiamo gli Utensili Elettrici HiKOKI in conformità alle specifiche normative imposte dalla legge e dai paesi. Questa garanzia non copre difetti o danni dovuti a uso erraneo, abuso o normale usura. In caso di lamentele, si prega di inviare l'Utensile Elettrico, non smontato, insieme al CERTIFICATO DI GARANZIA che si trova al termine di queste Istruzioni per l'uso, ad un Centro di Assistenza Autorizzato HiKOKI.

NOTA:

A causa del continuo programma di ricerca e sviluppo della HiKOKI, le caratteristiche riportate in questo foglio sono soggette a cambiamenti senza preventiva comunicazione.

Informazioni riguardanti i rumori trasmessi dall'aria e le vibrazioni

I valori misurati sono stati determinati in conformità a EN60745 e descritti in conformità alla normativa ISO 4871.

Livello misurato di potenza sonora pesato A: 96 dB (A)

Livello misurato di pressione sonora pesato A: 85 dB (A)

KpA incertezza: 3 dB (A)

Indossare i dispositivi di protezione acustica.

Valori totali di vibrazione (somma vettori triass.) determinati secondo la norma EN60745.

Taglio del legno:

Valore di emissione vibrazioni **a_h, CW** = 9,0 m/s²

Incertezza K = 1,5 m/s²

Taglio di lastre metalliche:

Valore di emissione vibrazioni **a_h, CM** = 13,2 m/s²

Incertezza K = 1,5 m/s²

Il valore totale di emissione vibrazioni dichiarato è stato misurato in base al metodo di test standard e può essere utilizzato per confrontare un utensile con un altro.

Può essere inoltre utilizzato per la stima preliminare dell'esposizione.

AVVERTENZA

- Il valore di emissione vibrazioni durante l'uso effettivo dell'utensile può essere diverso dal valore totale dichiarato in base alle modalità di utilizzo dell'utensile stesso.
- Per individuare le misure di sicurezza per la protezione dell'operatore basate su stima dell'esposizione nelle effettive condizioni di utilizzo (prendendo in considerazione tutte le parti del ciclo di funzionamento come i tempi in cui l'utensile resta spento e quando funziona senza essere utilizzato in aggiunta al tempo di avvio).

Tabella 1 Elenco delle lame adatte

Materiale da tagliare	Lama	n. 1 (Lungo)	n. 1 (Extra lungo)	n. 11	n. 12, 42	n. 15	n. 16, 46	n. 21	n. 22	n. 41	n. 97	123X
		Spessore del materiale (mm)										
Legno	Legno comune	Meno di 90	Meno di 90	10 ~ 55	Meno di 20			10 ~ 55	5 ~ 40	10 ~ 65		
	Compensato			5 ~ 30	Meno di 10			5 ~ 30	3 ~ 20			
Lamiera di ferro	Lamiera di acciaio tenero					3 ~ 6	Meno di 3				2 ~ 5	1,5 ~ 8
	Lastra di acciaio inossidabile										1,5 ~ 2,5	
Metalli non ferrosi	Aluminio, rame, otton					3 ~ 12	Meno di 3				Meno di 5	
	Fascia di alluminio					Altezza fino a 25					Altezza fino a 25	Altezza fino a 30
Plastica	Resina fenolica, resina, melaminica, ecc.					5 ~ 20	Meno di 6	5 ~ 15	Meno di 6		5 ~ 15	
	Cloruro di vinile, resina acrilica, ecc.			5 ~ 30	Meno di 10	5 ~ 20	Meno di 5	5 ~ 30	3 ~ 20		5 ~ 15	
	Schiuma polietilencica, schiuma stirolica			10 ~ 55	3 ~ 25	5 ~ 25	3 ~ 25	10 ~ 55	3 ~ 40		5 ~ 25	
Pasta	Cartone, cartone ondulato			10 ~ 55	3 ~ 25			10 ~ 55	3 ~ 40			
	Fibra di legno					3 ~ 25	Meno di 6				3 ~ 25	
	Ligno sintetico						Meno di 6					

NOTA:

○ Il raggio minimo di taglio delle lame n. 1 (Lungo), n. 1 (Extra lungo), n. 21, n. 22, n. 41 è di 100 mm.

ALGEMENE VEILIGHEIDSWAARSCHUWINGEN VOOR ELEKTRISCH GEREEDSCHAP

⚠ WAARSCHUWING

Lees alle waarschuwingen en instructies aandachtig door.

Nalating om de waarschuwingen en instructies op te volgen kan in een elektrische schok, brand en/of ernstig letsel resulteren.

Bewaar alle waarschuwingen en aanwijzingen voor eventuele naslag in de toekomst.

De term "elektrisch gereedschap" heeft zowel betrekking op elektrisch gereedschap dat via de netvoeding van stroom wordt voorzien als gereedschap dat via een accu (snoerloos) van stroom wordt voorzien.

1) Veiligheid van de werkplek

a) Zorg voor een schone en goed verlichte werkplek.

Een rommelige of donkere werkplek verhoogt de kans op ongelukken.

b) Gebruik het elektrisch gereedschap niet in een omgeving met ontplofbare vloeistoffen, gassen of stof.

Elektrisch gereedschap kan vonken afgeven. Deze vonkjes kunnen stofdeeltjes of gassen doen ontbranden.

c) Houd kinderen en andere toeschouwers tijdens het gebruik van elektrische gereedschap uit de buurt.

Afleidingen kunnen gevaarlijk zijn.

2) Elektrische veiligheid

a) De stekker op het elektrische gereedschap moet geschikt zijn voor aansluiting op de wandcontactdoos.

De stekker mag op geen enkele manier gemodificeerd worden. Gebruik geen verloopstekker met geaard elektrisch gereedschap.

Deugdelijke stekkers en geschikte wandcontactdozen verminderen het risico op een elektrische schok.

b) Vermijd lichamelijk contact met geaarde oppervlakken zoals leidingen, radiatoren, fornuizen en koelkasten.

Wanneer uw lichaam in contact staat met geaarde oppervlakken loopt u een groter risico op een elektrische schok.

c) Stel het elektrisch gereedschap niet bloot aan regen of vochtige omstandigheden.

Het risico op een elektrische schok wordt vergroot wanneer er water in het elektrisch gereedschap terechtkomt.

d) Behandel het snoer voorzichtig. Draag het gereedschap nooit door dit bij het snoer vast te houden. Trek niet aan het snoer wanneer u de stekker uit het stopcontact wilt halen.

Houd het snoer uit de buurt van warmtebronnen, olie, scherpe randen of bewegende onderdelen.

Een beschadigd of verward snoer verhoogt het risico op een elektrische schok.

e) Gebruik buitenshuis een verlengsnoer dat specifiek geschikt is voor het gebruik buiten.

Het gebruik van een snoer dat specifiek geschikt is voor gebruik buitenshuis vermindert het risico op een elektrische schok.

f) Als het elektrisch gereedschap in een vochtige omgeving gebruikt moet worden, dient een voeding met RCD (reststroom-apparaat) beveiliging te worden gebruikt.

Gebruik van een RCD vermindert de kans op een elektrische schok.

3) Persoonlijke veiligheid

a) Blijf waakzaam, let voortdurend op uw werk en gebruik uw gezond verstand wanneer u elektrisch gereedschap gebruikt.

Gebruik geen elektrisch gereedschap wanneer u moe bent of onder invloed van drugs, alcohol of medicijnen. Eén moment van onoplettendheid kan in ernstig lichamelijk letsel resulteren.

b) Gebruik persoonlijke beschermingsmiddelen. Draag altijd oogbescherming.

Beschermingsmiddelen zoals stofmaskers, niet-glijdende veiligheidsschoenen, een helm of oorbescherming vermindert het risico op lichamelijk letsel.

c) Voorkom dat het gereedschap per ongeluk kan starten. Controleer of de schakelaar in de uit-stand staat voordat u de voeding en/of de accu aansluit, het gereedschap oppakt of gaat dragen.

Zorg ervoor dat u tijdens het verplaatsen van het elektrisch gereedschap uw vingers uit de buurt van de schakelaar houdt en sluit de stroombron niet aan terwijl de schakelaar aan staat om ongelukken te vermijden.

d) Verwijder sleutels en moersleutels uit het gereedschap voordat u het elektrisch gereedschap aanzet.

Een (moer-)sleutel die op een bewegend onderdeel van het elektrisch gereedschap bevestigd is kan in lichamelijk letsel resulteren.

e) Reik niet te ver. Zorg ervoor dat u te allen tijde stevig staat en uw evenwicht behoudt.

Op deze manier heeft u tijdens een onverwachte situatie meer controle over het elektrisch gereedschap.

f) Draag geen loszittende kleding of sieraden. Houd uw haar, kleding en handschoenen uit de buurt van bewegende onderdelen.

Loszittende kleding, sieraden en lang haar kunnen in de bewegende onderdelen verstrikt raken.

g) Indien het elektrisch gereedschap van een aansluiting voor stofafzuiging is voorzien dan dient u ervoor te zorgen dat de stofafzuiging aangesloten en op de juiste manier gebruikt wordt.

Het gebruik van stofafzuiging vermindert eventuele stofgerelateerde risico's.

4) Bediening en onderhoud van elektrisch gereedschap

a) Het elektrisch gereedschap mag niet geforceerd worden. Gebruik het juiste gereedschap voor het karwei.

U kunt de klus beter en veiliger uitvoeren wanneer u het juiste elektrische gereedschap gebruikt.

b) Gebruik het elektrisch gereedschap niet als de schakelaar niet goed werkt.

Elektrisch gereedschap dat niet via de schakelaar bediend kan worden is gevaarlijk en moet onmiddellijk gerepareerd worden.

c) Haal de stekker uit het stopcontact voordat u de voeding en/of de accu van het elektrisch gereedschap losmaakt, afstellingen verricht, accessoires vervisselt of voordat u het elektrisch gereedschap opbergt.

Dergelijke preventieve veiligheidsmaatregelen verminderen het risico dat het elektrisch gereedschap per ongeluk opstart.

d) Berg elektrisch gereedschap buiten het bereik van kinderen op en sta niet toe dat personen die niet bekend zijn met het juiste gebruik van het gereedschap of deze voorschriften dit elektrisch gereedschap gebruiken.

Elektrisch gereedschap is gevaarlijk in onbevoegde handen.

e) Het elektrisch gereedschap moet regelmatig onderhouden worden. Controleer het gereedschap op een foutieve uitlijning, vastgelopen of defecte bewegende onderdelen en andere problemen die van invloed zijn op de juiste werking van het gereedschap.

Indien het gereedschap defect of beschadigd is moet het gerepareerd worden voordat u het gereedschap opnieuw gebruikt.

Slecht onderhouden elektrisch gereedschap is verantwoordelijk voor een groot aantal doe-het-zelf ongelukken.

f) **Houd snijwerktuigen scherp en schoon.**
Goed onderhouden snijwerktuigen met scherpe snijranden lopen minder snel vast en zijn gemakkelijker in het gebruik.

g) **Elektrisch gereedschap, toebehoren, bits enz. moeten in overeenstemming met deze instructies worden gebruikt waarbij de werkomstandigheden en het werk in overweging moeten worden genomen.**

Gebruik van het elektrisch gereedschap voor andere doeleinden dan waarvoor het is bedoeld, kan resulteren in een gevaarlijke situatie.

5) Onderhoudsbeurt

a) **Het gereedschap mag uitsluitend door bevoegd onderhoudspersoneel worden onderhouden die authentieke onderdelen gebruikt.**

Hierdoor kunt u erop aan dat de veiligheid van het elektrisch gereedschap behouden blijft.

TECHNISCHE GEGEVENS

Voltage (verschillend van gebied tot gebide)*	(110 V, 115 V, 120 V, 127 V, 220 V, 230 V, 240 V) ~
Opgenomen vermogen*	705 W
Max. Zaagdiepte	Hout 90 mm Vloeistaal 8 mm
Aantal slagen onbelast	850 – 3000 min ⁻¹
Slaglengte	20 mm
Laagste zaagstraal	25 mm
Gewicht (zonder kabel)	2,2 kg

*Kontroleer het naamplaatje op het apparaat daar het apparaat afhankelijk van het gebied waar het verkocht wordt gewijzigd kan worden.

STANDAARD TOEBEHOREN

- (1) Zaagbladen (nr. 41) 1
Zie **Tabel 1** voor gebruik van de zaagbladen.
- (2) Inbussleutel 1
De standaard toebehoren kunnen zonder aankondiging op ieder moment worden veranderd.

EXTRA TOEBEHOREN ... los te verkrijgen

- (1) Diverse typen bladen
Zie **Tabel 1** voor gebruik vande zaagbladen.
- (2) Geleider
- (3) Onder-voetplaat
- (4) Werkbank (Model TR12-B)
- (5) Anti-splinterstuk
- (6) Verloopstuk voor stofafzuiging
- De extra toebehoren kunnen zonder aankondiging op ieder moment worden veranderd.

VOORZORGMAATREGELEN

Houd kinderen en kwetsbare personen op een afstand.

Het gereedschap moet na gebruik buiten het bereik van kinderen en andere kwetsbare personen worden opgeborgen.

VOORZORGMAATREGELEN BIJ GEBRUIK VAN DE DECOUPEERZAAG

- Houd het gereedschap vast aan de geïsoleerde handgrepen tijdens het uitvoeren van een bewerking waarbij het snijtoebehoren in aanraking kan komen met verborgen bedrading of het eigen snoer.** Als het snijtoebehoren een onder stroom staande draad aanraakt, zorgt dit er voor dat niet-geïsoleerde delen van het gereedschap ook onder stroom komen, waardoor de gebruiker een elektrische schok kan krijgen.
- Dit apparaat heeft een motor met groot vermogen. Als het apparaat continu bij lage snelheid gebruikt wordt, betekent dit een extra belasting voor de motor, hetgeen kan resulteren in het vastlopen van de motor. Gebruik het elektrisch gereedschap tijdens gebruik altijd zodanig dat het zaagblad niet in het werkstuk vastraakt. Stel de bladsnelheid altijd zodanig in dat het apparaat gemakkelijk zaagt.

TOEPASSINGSGEBIEDEN

- Het zagen van verschillende timmerhoutsoorten
- Het zagen van vloeastalen platen, aluminium platen en koperen platen
- Het zagen van kunsthars, zoals phenolhars en vinylchloride
- Het zagen van dun en zacht
- Het zagen van roestvrij staal (met zaagblad 97)

VOOR BEGIN VAN HET WERK

- Netspanning**
Controlleren of de netspanning overeenkomt met de opgave op het naamplaatje.
- Netschakelaar**
Controlleren of de netschakelaar op „UIT“ staat. Wanneer de stekker op het net aangesloten is, terwijl de schakelaar op „AAN“ staat, begint het gereedschap onmiddellijk te draaien, hetwelk ernstig gevaar betekent.

3. Verlengsnoer

Wanneer het werkterrein niet in de buurt van een stopcontact ligt, dan moet men gebruik maken van een verlengsnoer, dat voldoende dwarsprofiel en voldoende nominaal vermogen heeft. Het verlengsnoer moet zo kort mogelijk gehouden worden.

4. Vrijgekomen stof tijdens het zagen

De stof die tijdens het zagen vrijkomt kan de gezondheid van de gebruiker benadelen. Wij adviseren dat u de volgende voorzorgsmaatregelen neemt.

a) Draag een stofmasker

b) Gebruik een externe stofverzamelaar

Wanneer u een externe stofverzamelaar gebruikt, dan moet de adapter op de slang van de stofverzamelaar worden aangesloten.

5. Verwisselen van bladen

(1) Open de hendel tot aan de aanslag. (Afb. 1-I)

(2) Verwijder het huidige blad.

(3) Breng het nieuwe blad in de bladhouder tot aan de aanslag. (Afb. 1-II)

(4) Sluit de hendel. (Afb. 1-III)

LET OP:

○ U moet de stroom UIT schakelen en de stekker uit het stopcontact halen voor u de bladen gaat verwisselen.

○ Open de hendel niet wanneer de pluiner nog beweegt.

OPMERKING:

○ Controleer of de uitsteeksels van het blad goed in de bladhouder zitten. (Afb. 2)

○ Controleer of het blad in de groef van de rol valt. (Afb. 3)

6. Het instellen van de arbeidssnelheid van het zaagblad

Deze decoupeerzaag is uitgerust met een elektrisch regelingscircuit hetgeen traploze snelheidsregeling mogelijk maakt. Draai de schijf op „5” is gezet, funktioneert de zaag met de maximum snelheid (3000min⁻¹). Stel de snelheid overeenkomstig de te behandelen materialen en de werkingsefficiëntie in.

LET OP:

Bij lage draaisnelheden (instelling: 1 of 2), kan geen hout gezaagd worden met een dikte van 10 mm of meer of staal met een dikte van 1 mm of meer.

7. Instellen van de baanfunctie

(1) Deze decoupeerzaag is voorzien van een pendelfunctie waarbij het zaagblad voor- en achterwaarts beweegt, en op en neer.

Zet de omstelknop die wordt aangetoond in Afb. 5 op „0” om de baanfunctie te minimaliseren (het zaagblad beweegt slechts op en neer). De baanfunctie kan worden gekozen in vier stappen van „0” tot „III”.

(2) Verminder de baanfunctie voor harde materialen, zoals staalplaat, enz. Verhoog de baanfunctie om de werkingsefficiëntie te verhogen voor de zachte materialen, zoals hout, plastic, enz. Verminder de baanfunctie voor het nauwkeurig zagen.

8. Zagen van roestvrije staalpalten

Deze decoupeerzaag kan roestvrij stalen platen zagen indien uitgerust met een No. 97 zaagblad. Lees zorgvuldig de paragraaf „Betreffende het zagen van roestvrije staalplaten” voor de juiste werkwijze.

9. Anti-splinterstuk

Door bij het zagen van hout het anti-splinterstuk te gebruiken, kunt u het splinteren van het oppervlak tegengaan.

Steek het anti-splinterstuk op de voetplaat en druk het stevig vast. (Zie Afb. 6)

10. Onder-voetplaat

Met de onder-voetplaat (staal) vermindert u de kans op krassen van de aluminium voetplaat, vooral bij het zagen van metaal.

Met de onder-voetplaat (kunststof) vermindert u de kans op krassen van het werkoppervlak. Bevestig de onder-voetplaat aan de onderkant van de voetplaat met de 4 meegeleverde schroeven.

11. RCD

Het gebruik van een reststroomapparaat met een nominale reststroom van 30 mA of minder wordt aanbevolen.

ZAGEN

LET OP:

○ Om te voorkomen dat het blad loskomt en dat de pluiner beschadigd raakt of te snel verslijt, moet u ervoor zorgen dat het oppervlak van de basisplaat het werkstuk raakt terwijl u aan het zagen bent.

1. Zagen met de parallelgeleider

Wanneer u een rechte lijn wilt zagen, kunt u het beste eerst een lijn aftekenen en deze volgen bij het zagen. Met de geleider (los verkrijgbaar) kunt u gemakkelijk in een rechte lijn zagen.

(1) Draai de bout van de voetplaat los met de inbussleutel. (Afb. 7)

(2) Doe de voetplaat helemaal naar voren (Afb. 8) en draai de bout van de voetplaat weer vast.

(3) Bevestig de geleider door deze in het bevestigingsgat in de voetplaat te steken en draai de M5 bout vast. (Afb. 9)

(4) Zet de pendelinstelling op „0”.

OPMERKING:

Om accuraat te kunnen zagen met de geleider (Afb. 9), moet de pendelinstelling op „0” gezet worden.

2. Het zagen van kromme lijnen

Bij het zagen van een kleine cirkelboog wordt de snelheid, waarmee de machine naar voren schuift, vermindert. Wanneer de machine te snel naar voren geschoven wordt, zou dat tot een breuk van het zaagblad kunnen leiden.

3. Het zagen van cirkels of een cirkelboog

De geleider is ook handig bij het zagen van cirkels. Nadat u de geleider heeft bevestigd op de hierboven beschreven manier, kunt u een spijker of schroef in uw werkstuk vastmaken door het gat in de geleider en deze zo als spil gebruiken bij het zagen van een cirkel. (Afb. 10)

OPMERKING:

Het zagen in een cirkel moet zo veel mogelijk gebeuren met het blad verticaal ten opzichte van het ondervlak van de voetplaat.

4. Het zagen van metaal

(1) Zet de snelheidsinstelling tussen „3” en „4”.

(2) Zet de pendelinstelling op „0” of „1”.

(3) Gebruik altijd de juiste zaagvloeistof (zaagolie, sop enz.). Wanneer u geen zaagvloeistof heeft, kunt u vet aanbrengen op de achterzijde van het te zagen materiaal.

5. Het zagen van gaten

(1) In bestekhout

De zaagrichting in één lijn brengen met de richting van de houtvezel. Men zaagt stap voor stap, tot er in het midden van het hout een venster ontstaan is. **(Afb. 11)**

(2) In overige materialen

Bij het zagen van een venster in ander materiaal dan hout boort men eerst met een boormachine of soortgelijk gereedschap een gat voor, van waaruit men begint te zagen.

6. Verstekzagen

De voetplaat kan naar beide zijden maximaal 45° kantelen zodat u onder een hoek kunt zagen. **(Afb. 12)**

(1) Draai de bout van de voetplaat los met de inbussleutel die zich op de voetplaat bevindt en doe de voetplaat helemaal naar voren. **(Afb. 7, 8)**

(2) Breng de gewenste hoek op de schaal (van 0 t/m 45 graden in stappen van 15 graden) op het halfcirkelvormige deel van de voetplaat in lijn met het [▽] merkteken op de behuizing. **(Afb. 13)**

(3) Draai de M5 bout weer vast. **(Afb. 7)**

(4) Zet de pendelinstelling op „0“.

OPMERKING:

U kunt niet onder een hoek zagen wanneer de stofkap is bevestigd.

AANSLUITING OP DE REINIGER

Door een reiniger (los verkrijgbaar) te gebruiken via de stofzak en de adapter (los verkrijgbaar) kan het meeste zaagsel en stof worden verzameld.

(1) Haal de inbussleutel van de voetplaat.

(2) Doe de voetplaat helemaal naar voren. **(Afb. 7, 8)**

(3) Sluit de stofzak en de adapter aan. **(Afb. 14)**

(4) Sluit de adapter aan op de neus van de reiniger. **(Afb. 14)**

(5) Doe de stofzak in het gat aan de achterkant tot de haak in de inkeping valt. **(Afb. 15)**

(6) Druk de haak in om de stofzak te kunnen verwijderen.

NB:

Draag een stofmasker, wanneer beschikbaar.

BETREFFENDE HET ZAGEN VAN ROESTVRIJE STAALPLATEN

LET OP:

Om te voorkomen dat het blad loskomt en dat de pluiner beschadigd raakt of te snel verslijt, moet u ervoor zorgen dat het oppervlak van de basisplaat het werkstuk raakt terwijl u aan het zagen bent.

Bij het zagen van roestvrije staalplaten, diet u het apparaat in te stellen, zoals hieronder beschreven staat:

1. Instellen van de snelheid

Zaagbladen	Dikte van het materiaal	Wijzerschaal
Nr. 97	1,5 – 2,5 mm	Middelste proefstand tussen de schalen „2” en „3”

OPMERKING:

Het aflezen van de wijzerschaal dient alleen voor referentie. Naarmate de snelheid, hoger is, wordt het materiaal sneller gezaagd. De levensduur van het zaagblad wordt hierdoor echter wel verkort. Wanneer de zaagsnelheid te laag is, duurt het zagen langer,

maar de levensduur van het zaagblad wordt hierdoor verlengd. Maak de instellingen naar eigen voorkeur.

2. Zet de draai-positie op „0”

OPMERKING:

- Gebruik tijdens het zagen zaagvloeistof (zaagvloeistof op oliebasis) om de levensduur van het zaagblad te verlengen.

KEUZE VAN DE ZAAGBLADEN

○ Standaard toebehoren

Om een maximaal prestatievermogen en goede resultaten te bereiken is het erg belangrijk het juiste zaagblad te kiezen, dat het beste geschikt is voor de soort en dikte van het te zagen materiaal. Drie soorten zaagbladen worden als standaard toebehoren bijgeleverd. Het nummer van het zaagblad is in de nabijheid van de houder van elk zaagblad ingegraveerd. Het geschikte zaagblad wordt aan de hand van **Table. 1** gekozen.

OPBERGEN VAN DE INBUSSLEUTEL

De inbussleutel kan opgeborgen worden in de zaagtafel (zie **Afb. 16**).

ONDERHOUD EN INSPECTIE

1. Inspectie van de zaagbladen

Het verder gebruiken van stompe of beschadigde zaagbladen leidt tot een verminderde zaagmoet worden prestatie en kan een overbelasting van de motor veroorzaken. Het zaagblad vernieuwd, wanneer een bovenmatige slijtage vastgesteld wordt.

2. Inspectie van de bevestigingsschroef

Alle bevestigingsschroeven worden regelmatig geïnspecteerd en gecontroleerd of zij juist aangedraaid zijn. Wanneer één van de schroeven losraakt, dan moet deze onmiddellijk opnieuw aangedraaid worden. Gebeurt dat niet, dan kan dat tot aanzienlijke gevaren leiden.

3. Onderhoud van de motor

De motorwikkeling is het „hart” van het elektrische gereedschap. Er moet daarom bijzonder zorgvuldig op gelet worden, dat de wikkeling niet beschadigd en/of met olie of water bevochtigd wordt.

4. Inspecteren van de koolborstels

Met het oog op uw veiligheid en om elektrische schokken te voorkomen, mag inspectie en vervanging van de koolborstels ALLEEN uitgevoerd worden door een ERKEND HiKOKI SERVICE-CENTRUM.

5. Vervangen van het stroomsnoer

Als het stroomsnoer van het gereedschap beschadigd raakt, moet het gereedschap aan een erkend HiKOKI Service-centrum worden geretourneerd om het stroomsnoer te laten vervangen.

6. Lijst vervangingsonderdelen

LET OP

Reparatie, modificatie en inspectie van HiKOKI elektrisch gereedschap dient te worden uitgevoerd door een erkend HiKOKI Service-centrum.

Deze Onderdelenlijst komt van pas wanneer u deze samen met het gereedschap aanbiedt bij het erkende HiKOKI Service-centrum wanneer u om reparatie of ander onderhoud verzoekt.

Bij gebruik en onderhoud van elektrisch gereedschap dienen de in het land waar u zich bevindt geldende veiligheidsregelgeving en veiligheidsstandaarden strikt te worden opgevolgd.

MODIFICATIES

HiKOKI elektrisch gereedschap wordt voortdurend verbeterd en gewijzigd teneinde gebruik te kunnen maken van de nieuwste technische ontwikkelingen. Daarom is mogelijk dat sommige onderdelen zonder voorafgaande kennisgeving gewijzigd worden.

GARANTIE

De garantie op het elektrisch gereedschap van HiKOKI is in overeenstemming met de wettelijke/landspecifieke richtlijnen. Deze garantie dekt geen defecten of schade als gevolg van foutief gebruik, misbruik of normale slijtage. In geval van klachten verzoeken wij u het elektrisch gereedschap samen met het GARANTIECERTIFICAAT dat u achterin deze handleiding aantreft naar een erkend servicecentrum van HiKOKI te sturen. Indien door de gebruiker de machine wordt gedemonteerd vervalt de aanspraak op garantie.

OPMERKING:

Op grond van het voortdurende research-en ontwikkelings-programma van HiKOKI zijn veranderingen van de hierin genoemde technische opgaven voorbehouden.

Informatie betreffende luchtgeluid en trillingen

De gemeten waarden zijn verkregen overeenkomstig EN60745 en voldoen aan de eisen van ISO 4871.

Gemeten A-gewogen geluidsniveau: 96 dB (A)

Gemeten A-gewogen geluidsdrukniveau: 85 dB (A)

Onzekerheid KpA: 3 dB (A)

Draag gehoorbescherming.

Totale trillingswaarden (triax vector som) bepaald overeenkomstig EN60745.

Hout zagen:

Trillingsemisiewaarde **ah, CW** = 9,0 m/s²

Onzekerheid K = 1,5 m/s²

Bladmetaal zagen:

Trillingsemisiewaarde **ah, CM** = 13,2 m/s²

Onzekerheid K = 1,5 m/s²

De totale bepaalde trillingswaarde is gemeten in overeenstemming met een standaardtestmethode en is bruikbaar op meerdere gereedschappen met elkaar te vergelijken.

U kunt dit ook als beoordeling vooraf aan de blootstelling gebruiken.

WAARSCHUWING

- De trillingsemisiewaarde tijdens het feitelijke gebruik van het elektrisch gereedschap kan afwijken van de opgegeven totale waarde afhankelijk van de manieren waarop het gereedschap wordt gebruikt.
- Neem kennis van de veiligheidsmaatregelen voor de bescherming van de operator welke gebaseerd zijn op een schatting van blootstelling onder feitelijke gebruiksomstandigheden (rekening houdend met alle onderdelen van de gebruikscyclus, zoals de tijd dat het gereedschap is uitgeschakeld en wanneer dit onbelast draait inclusief de triggertijd).

Table. 1 Lijst van geschikte zaagbladen

Te zagen materiaal	Zaagbladen	nr. 1 (Lang)	nr. 1 (Superlang)	nr. 11	nr. 12, 42	nr. 15	nr. 16, 46	nr. 21	nr. 22	nr. 41	nr. 97	123X
	Materiaalkaliteit	Dikte van het materiaal (mm)										
Bestekhout	Algemeen bestekhout	Onder 90	Onder 90	10 ~ 55	Onder 20			10 ~ 55	5 ~ 40	10 ~ 65		
	Fineerplaten			5 ~ 30	Onder 10			5 ~ 30	3 ~ 20			
Stalen platen	Vloeistalen platen					3 ~ 6	Onder 3				2 ~ 5	1,5 ~ 8
	Roestvrije staalplaat										1,5 ~ 2,5	
Metalen Non-ferro	Aluminium, koper, messing					3 ~ 12	Onder 3				Onder 5	
	Aluminium raamwerk					Maximaal 25					Maximaal 25	Maximaal 30
Plastic	Phenolhars, melaminehars, etc.					5 ~ 20	Onder 6	5 ~ 15	Onder 6		5 ~ 15	
	Vinylchloride, acrylhars, etc.			5 ~ 30	Onder 10	5 ~ 20	Onder 5	5 ~ 30	3 ~ 20		5 ~ 15	
	Geschuimd polyethleen, geschuimd styrol			10 ~ 55	3 ~ 25	5 ~ 25	3 ~ 25	10 ~ 55	3 ~ 40		5 ~ 25	
Houtvezel-materiaal	Karton, golfkarton			10 ~ 55	3 ~ 25			10 ~ 55	3 ~ 40			
	Hardboard					3 ~ 25	Onder 6				3 ~ 25	
	Vezelplaat						Onder 6					

OPMERKING:

- De minimum zaagradius van zaagbladen nr. 1 (Lang), nr. 1 (Superlang), nr. 21, nr. 22 en nr. 41 is 100 mm.

ADVERTENCIAS DE SEGURIDAD GENERAL DE LA HERRAMIENTA ELÉCTRICA

⚠ ADVERTENCIA

Lea todas las instrucciones y advertencias de seguridad. Si no se siguen las advertencias e instrucciones, podría producirse una descarga eléctrica, un incendio y/o daños graves.

Guarde todas las advertencias e instrucciones para futura referencia.

El término “herramienta eléctrica” en las advertencias hace referencia a la herramienta eléctrica que funciona con la red de suministro (con cable) o a la herramienta eléctrica que funciona con pilas (sin cable).

1) Seguridad del área de trabajo

- Mantenga la zona de trabajo limpia y bien iluminada.**
Las zonas desordenadas u oscuras pueden provocar accidentes.
- No utilice las herramientas eléctricas en entornos explosivos como, por ejemplo, en presencia de líquidos inflamables, gases o polvo.**
Las herramientas eléctricas crean chispas que pueden inflamar el polvo o los humos.
- Mantenga a los niños y transeúntes alejados cuando utilice una herramienta eléctrica.**
Las distracciones pueden hacer que pierda el control.

2) Seguridad eléctrica

- Los enchufes de las herramientas eléctricas tienen que ser adecuados a la toma de corriente. No modifique el enchufe. No utilice enchufes adaptadores con herramientas eléctricas conectadas a tierra.**
Si no se modifican los enchufes y se utilizan tomas de corriente adecuadas se reducirá el riesgo de descarga eléctrica.
- Evite el contacto corporal con superficies conectadas a tierra como tuberías, radiadores y frigoríficos.**
Hay mayor riesgo de descarga eléctrica si su cuerpo está en contacto con el suelo.
- No exponga las herramientas eléctricas a la lluvia o a la humedad.**
La entrada de agua en una herramienta eléctrica aumentará el riesgo de descarga eléctrica.
- No utilice el cable incorrectamente. No utilice el cable para transportar, tirar de la herramienta eléctrica o desenchufarla.**
Mantenga el cable alejado del calor, del aceite, de bordes afilados o piezas móviles.
Los cables dañados o enredados aumentan el riesgo de descarga eléctrica.
- Cuando utilice una herramienta eléctrica al aire libre, utilice un cable prolongador adecuado para utilizarse al aire libre.**
La utilización de un cable adecuado para usarse al aire libre reduce el riesgo de descarga eléctrica.
- Si no se puede evitar el uso de una herramienta eléctrica en un lugar húmedo, utilice un suministro protegido mediante un dispositivo de corriente residual (RCD).**
El uso de un RCD reduce el riesgo de descarga eléctrica.

3) Seguridad personal

- Esté atento, preste atención a lo que hace y utilice el sentido común cuando utilice una herramienta eléctrica. No utilice una herramienta eléctrica cuando esté cansado o esté bajo la influencia de drogas, alcohol o medicación.**

La distracción momentánea cuando utiliza herramientas eléctricas puede dar lugar a importantes daños personales.

- Utilice un equipo de protección. Utilice siempre una protección ocular.**

El equipo de protección como máscara para el polvo, zapatos de seguridad antiderrapantes, casco o protección para oídos utilizado para condiciones adecuadas reducirá los daños personales.

- Evite un inicio involuntario. Asegúrese de que el interruptor está en “off” antes de conectar la herramienta a una fuente de alimentación y/o batería, cogerla o transportarla.**

El transporte de herramientas eléctricas con el dedo en el interruptor o el encendido de herramientas eléctricas con el interruptor encendido puede provocar accidentes.

- Retire las llaves de ajuste antes de encender la herramienta eléctrica.**

Si se deja una llave en una pieza giratoria de la herramienta eléctrica podrían producirse daños personales.

- No se extralimite. Mantenga un equilibrio adecuado en todo momento.**

Esto permite un mayor control de la herramienta eléctrica en situaciones inesperadas.

- Vístase adecuadamente. No lleve prendas sueltas o joyas. Mantenga el pelo, la ropa y los guantes alejados de las piezas móviles.**

La ropa suelta, las joyas y el pelo largo pueden pillarse en las piezas móviles.

- Si se proporcionan dispositivos para la conexión de extracción de polvo e instalaciones de recogida, asegúrese de que están conectados y se utilizan adecuadamente.**

La utilización de un sistema de recogida de polvo puede reducir los riesgos relacionados con el polvo.

4) Utilización y mantenimiento de las herramientas eléctricas

- No fuerce la herramienta eléctrica. Utilice la herramienta eléctrica correcta para su aplicación.**

La herramienta eléctrica correcta trabajará mejor y de forma más segura si se utiliza a la velocidad para la que fue diseñada.

- No utilice la herramienta eléctrica si el interruptor no la enciende y apaga.**

Las herramientas eléctricas que no pueden controlarse con el interruptor son peligrosas y deben repararse.

- Desconecte el enchufe de la fuente eléctrica y/o la batería de la herramienta eléctrica antes de hacer ajustes, cambiar accesorios o almacenar herramientas eléctricas.**

Estas medidas de seguridad preventivas reducen el riesgo de que la herramienta eléctrica se ponga en marcha accidentalmente.

- Guarde las herramientas eléctricas que no se utilicen para que no las cojan los niños y no permita que utilicen las herramientas eléctricas personas no familiarizadas con las mismas o con estas instrucciones.**

Las herramientas eléctricas son peligrosas si son utilizadas por usuarios sin formación.

- Mantenimiento de las herramientas eléctricas. Compruebe si las piezas móviles están mal alineadas o unidas, si hay alguna pieza rota u otra condición que pudiera afectar al funcionamiento de las herramientas eléctricas.**

Si la herramienta eléctrica está dañada, llévala a reparar antes de utilizarla.

Se producen muchos accidentes por no realizar un mantenimiento correcto de las herramientas eléctricas.

f) Mantenga las herramientas de corte afiladas y limpias.

Las herramientas de corte correctamente mantenidas con los bordes de corte afilados son más fáciles de controlar.

g) Utilice la herramienta eléctrica, los accesorios y las brocas de la herramienta, etc. de acuerdo con estas instrucciones, teniendo en cuenta las condiciones laborales y el trabajo que se va a realizar.

La utilización de la herramienta eléctrica para operaciones diferentes a aquellas pretendidas podría dar lugar a una situación peligrosa.

5) Revisión

a) Lleve su herramienta a que la revise un experto cualificado que utilice sólo piezas de repuesto idénticas.

Esto garantizará el mantenimiento de la seguridad de la herramienta eléctrica.

ESPECIFICACIONES

Voltaje (por áreas)*	(110 V, 115 V, 120 V, 127 V, 220 V, 230 V, 240 V) ~
Acometida*	705 W
Profundidad de corte máxima	Madera 90 mm Acero pobre en carbono 8 mm
Velocidad de marcha en vacío	850 – 3000 min ⁻¹
Carrera	20 mm
Radio mín. de corte	25 mm
Peso (sin cable)	2,2 kg

*Verificar indefectiblemente los datos de la placa de características de la máquina, pues varían de acuerdo al país de destino.

ACCESORIOS ESTÁNDAR

(1) Cuchillas (N.º 41) 1
Con respecto a la utilización de las hojas de sierra, consulte la **Tabla 1**.

(2) Llave macho hexagonal 1
Los accesorios estándar están sujetos a cambio sin previo aviso.

ACCESORIOS OPCIÓN ... de venta por separado

(1) Diversos tipos de cuchillas
Con respecto a la utilización de las hojas de sierra, consulte la **Tabla 1**.

- (2) Guía
(3) Base secundaria
(4) Soporte de banco (Modelo TR12-B)
(5) Protector contra astillas
(6) Adaptador del colector de polvo

Los accesorios opcionales están sujetos a cambio sin previo aviso.

APLICACIONES

- Cortar diversas maderas útiles y recorte interior
- Cortar placa de acero pobre en carbono, aluminio y cobre

PRECAUCIÓN

Mantenga a los niños y a las personas enfermas alejadas.

Cuando no se utilicen, las herramientas deben almacenarse fuera del alcance de los niños y de las personas enfermas.

RECAUCIONES EN EL EMPLEO DE LA SIERRA DE CALAR

1. **Sostenga la herramienta eléctrica por las superficies de agarre aisladas cuando realice una operación en la que el accesorio de corte pueda entrar en contacto con el cableado oculto o con su propio cable.** Si el accesorio de corte entra en contacto con un cable con corriente, las partes metálicas expuestas de la herramienta eléctrica pueden transmitir esa corriente y producir una descarga eléctrica al operador.
2. Esta máquina emplea un motor de gran potencia. Si la utiliza continuamente a baja velocidad, el motor recibirá una carga extra que puede provocar el agrietamiento del mismo. Utilice siempre esta herramienta eléctrica de forma que la cuchilla no quede atascada en la pieza serrada durante la operación. Ajuste siempre la velocidad de la cuchilla de forma que se logre un serrado uniforme.

- Cortar resinas sintéticas como resina de fenol y cloruro de vinilo
- Cortar materiales de construcción delgados y blandos
- Corte de chapas de acero inoxidable (con cuchilla N.º 97)

ANTES DE LA PUESTA EN MARCHA

1. Alimentación

Asegurarse de que la alimentación de red que ha de ser utilizada responda a las exigencias de corriente especificadas en la placa de características del producto.

2. Conmutador de alimentación

Asegurarse de que el conmutador de alimentación esté en la posición OFF (desconectado). Si la clavija está conectada en la caja del enchufe mientras el conmutador de alimentación esté posición ON (conectado) las herramientas eléctricas empezarán a trabajar inmediatamente, provocando un serio accidente.

3. Cable de prolongación

Cuando está alejada el área de trabajo de la red de alimentación, usar un cable de prolongación de un grosor de potencia nominal y suficiente. El cable de prolongación debe ser mantenido lo más corto posible.

4. Polvo producido durante la operación

El polvo producido durante la operación normal puede afectar a la salud del operario. Se recomienda lo siguiente:

- a) Llevar máscara anti-polvo
- b) Utilizar equipo de recogida de polvo externo

Cuando utilice el equipo de recogida de polvo externo, conecte el adaptador al manguito del equipo de recogida de polvo externo.

5. Cambio de las cuchillas

- (1) Abra la palanca hacia arriba, hasta el tope. (Fig. 1-I)
- (2) Desmonte la cuchilla.
- (3) Inserte la cuchilla nueva hasta el tope del portacuchilla. (Fig. 1-II)
- (4) Cierre la palanca. (Fig. 1-III)

PRECAUCIÓN:

- Cuando cambie las cuchillas, asegúrese de desconectar (OFF) la alimentación y de desenchufar la clavija del tomacorriente.
- No abra la palanca mientras se está moviendo el émbolo.

NOTA:

- Confirme que los salientes de la cuchilla se encuentren firmemente insertados en el portacuchillas. (Fig. 2)
- Compruebe la cuchilla provista entre la ranura del rodillo. (Fig. 3)

6. Ajustar la velocidad de operación de la cuchilla

Esta sierra caladora está equipada con un circuito de control eléctrico que permite el control de velocidad continuo. Para ajustar la velocidad, girar el selector como se muestra en la Fig. 4. Cuando el selector indica "1", la sierra funciona a la mínima velocidad (850min⁻¹). Cuando el selector indique "5", la sierra funciona a la máxima velocidad (3000min⁻¹). Ajustar la velocidad de acuerdo al material a cortar y a la eficiencia de trabajo.

PRECAUCIÓN:

A poca velocidad (dial de ajuste en 1 o en 2), no cortar madera de más de 10 mm de espesor ni acero de más de 1 mm.

7. Ajuste del funcionamiento orbital

- (1) Esta sierra caladora emplea el funcionamiento orbital que mueve la cuchilla hacia adelante y atrás, y también hacia arriba y abajo. Poner la perilla de cambio, mostrada en la Fig. 5, en "0" para minimizar el funcionamiento orbital (la cuchilla se mueve hacia arriba y hacia abajo). El funcionamiento orbital puede seleccionarse en 4 pasos, desde "0" a "III".
- (2) Para materiales duros como por ejemplo, chapas de acero, etc., disminuir el funcionamiento orbital. Para materiales blandos como por ejemplo, madera, plásticos, etc., aumentar el funcionamiento orbital para incrementar la eficiencia de trabajo. Para cortar el material de forma precisa, disminuir el funcionamiento orbital.

8. Corte de chapas de acero inoxidable

Esta sierra caladora corta las placas de acero inoxidable utilizando cuchillas N° 97. Para realizar la operación apropiada, lea cuidadosamente "Sobre el corte de chapas de acero inoxidable".

9. Protector contra astillas

Empleando el protector contra astillas cuando corte madera, se reducirá el astillado de las superficies cortadas. Inserte el protector contra astillas en el espacio existente sobre la base, y empujelo completamente. (véase Fig. 6)

10. Base secundaria

Utilizando la base secundaria (hecha de acero), se conseguirá reducir la abrasión de la base de aluminio, especialmente durante el corte de metales.

Utilizando la base secundaria (hecha de resina) se conseguirá reducir los arañazos de la superficie de corte. Fije la base secundaria a la superficie inferior de la base por medio de los 4 tornillos suministrados.

11. RCD

Se recomienda el uso permanente de un dispositivo de corriente residual con una corriente residual nominal equivalente o inferior a 30 mA.

CORTAR

PRECAUCIÓN:

- Mientras esté serrando, para evitar que la cuchilla se salga o que el pistón se estropee o se desgaste demasiado, asegúrese de que la superficie de la placa base esté en contacto con la pieza de trabajo.

1. Corte para rectilíneo

Cuando corte en línea recta, primero trace una línea marcadora y haga avanzar la sierra a lo largo de esa línea.

Si utiliza la guía (en venta separadamente) podrá cortar con precisión sobre una línea recta.

- (1) Afloje el perno de base con la llave macho hexagonal provista en la base. (Fig.7)
- (2) Mueva la base completamente hacia adelante (Fig.8), y vuelva a apretar el perno de la base.
- (3) Fije la guía haciéndola pasar a través del orificio de fijación de la base y apriete el perno M5. (Fig.9)
- (4) Ajuste la posición orbital a "0".

NOTA:

Para cortar con precisión utilizando la guía (Fig. 9), ajuste siempre la posición orbital a "0".

2. Serrar líneas curvas

El serrar un arco circular pequeño, se reduce la velocidad de alimentación de la máquina. Si la máquina está demasiado alimentada, inmediatamente puede ocasionarse la rotura de la cuchilla.

3. Cortar en círculo o un arco circular

La guía también podrá ser útil para el corte circular. Después de fijar la guía de la manera indicada arriba, introduzca el clavo o el tornillo en el material a través del orificio de la guía, y luego utilícelo como eje durante el corte. (Fig.10)

NOTA:

El corte circular se puede realizar con la cuchilla colocada de forma aproximadamente vertical con respecto a la superficie inferior de la base.

4. Cortar materiales metálicos

- (1) Ajuste el dial de velocidad entre las escalas "3" y "4".
- (2) Ajuste la posición orbital a "0" o a "1".
- (3) Use siempre un fluido de corte apropiado (aceite para husos, agua jabonosa, etc.). Si no está disponible un fluido de corte líquido, aplique grasa a la superficie trasera del material que se va a cortar.

5. Recorte interior

- (1) En madera

Alinear la dirección de la cuchilla con la fibra de madera cortar poco a poco hasta haber cortado un orificio de ventana en el centro de la madera útil. (Fig. 11)

- (2) En otros materiales
Cortando un orificio de ventana en materiales distintos de la madera útil, taladrar inicialmente un orificio con un taladrador o una herramienta similar antes de empezar a cortar.

6. Corte angular

- La base puede ser inclinada hacia ambos lados en un ángulo de hasta 45° para el corte angular. (Fig.12)
- (1) Afloje el perno de base con la llave macho hexagonal provista en la base y mueva la base completamente hacia adelante. (Fig. 7, 8)
- (2) Alinee la escala (desde 0 grado a 45 grados en incrementos de 15 grados) del parte semicircular de la base con la marca [▽] de la cubierta del engranaje. (Fig.13)
- (3) Apriete de nuevo el perno M5. (Fig.7)
- (4) Ajuste la posición orbital a "0".

NOTA:

El corte angular no se puede realizar cuando se utiliza el colector de polvo.

CONEXION CON EL LIMPIADOR

Conectando con el limpiador (en venta separadamente) a través del colector de polvo y el adaptador (en venta separadamente), se podrá recolectar casi la totalidad del polvo.

- (1) Retire la llave macho hexagonal de la base.
- (2) Mueva la base completamente hacia adelante. (Figs. 7, 8)
- (3) Conecte el colector para polvo con el adaptador. (Fig.14)
- (4) Conecte el adaptador con la punta del limpiador. (Fig.14)
- (5) Inserte el colector de polvo en el orificio trasero de la base hasta que el gancho encaje en la muesca. (Fig.15)
- (6) Presione el gancho para desmontar el colector de polvo.

NOTA:

Utilice la máscara de protección contra el polvo si está disponible.

SOBRE EL CORTE DE CHAPAS DE ACERO INOXIDABLE

PRECAUCIÓN:

Mientras esté serrando, para evitar que la cuchilla se salga o que el pistón se estropee o se desgaste demasiado, asegúrese de que la superficie de la placa base esté en contacto con la pieza de trabajo.

Para cortar chapas de acero inoxidable, ajuste la sierra como se describe a continuación.

1. Ajuste la velocidad

Cuchilla	Grosor del material	Escala del dial
N.º 97	1,5 – 2,5 mm	Posición de la ranura central entre "2" y "3" de la escala

NOTA:

La indicación de la escala es solamente para referencia. Cuanto mayor sea la velocidad, más rápido será el serrado del material, pero, en este caso, la duración útil de la cuchilla disminuirá. Si la velocidad

es demasiado baja, el serrado será más lento, pero la duración útil aumentará. Efectúe los ajustes a su gusto.

2. Ajuste la posición orbital a "0"

NOTA:

- Para serrar, emplee líquido para serrado (derivado del petróleo) a fin de prolongar la duración útil de la cuchilla.

SELECCION DE LAS CUCHILLAS

○ Cuchillas accesorias

Para asegurar una eficiencia operativa máxima y resultados, es muy importante seleccionar la cuchilla mejor apropiada para el tipo y grosor del material a cortar. Tres tipos de cuchillas están suministradas en los accesorios estándar. El número de cuchilla está grabada cerca de la parte a montar de cada cuchilla. Seleccionar la cuchilla apropiada según **Tabla. 1**.

ALOJAMIENTO DE LA LLAVE MACHO HEXAGONAL

Es posible alojar la llave macho hexagonal en la base. (véase Fig.16)

MANTENIMIENTO E INSPECCION

1. Inspeccionar la cuchilla

El uso continuo de una cuchilla dañada resultaría una deficiencia de corte reducida y podría causar posible recalentamiento del motor. Reemplazar la cuchilla tan pronto como se note un desgaste excesivo por una nueva.

2. Inspeccionar los tornillos de montaje

Regularmente inspeccionar todos los tornillos de montaje y asegurarse de que estén apretados firmemente. Si cualquier tornillo estuviera suelto, volver a apretarlo inmediatamente. El no hacer esto provocaría un riesgo serio.

3. Mantenimiento de motor

La unidad de bobinado del motor es el verdadero "corazón" de las herramientas eléctricas. Prestar el mayor cuidado y asegurarse de que el bobinado no se dañe y/o se humedezca con aceite o agua.

4. Inspección de las escobillas

Por motivos de seguridad contra descargas eléctricas, la inspección y el reemplazo de las escobillas deberán realizarse SOLAMENTE en un CENTRO DE SERVICIO AUTORIZADO POR HiKOKI.

5. Reemplazo del cable de alimentación

Si el cable de alimentación de la herramienta está dañado, envíe la herramienta al Centro de Servicio Autorizado de HiKOKI para que le cambien el cable de alimentación.

6. Lista de repuestos

PRECAUCIÓN

La reparación, modificación e inspección de las herramientas eléctricas HiKOKI deben ser realizadas por un Centro de Servicio Autorizado de HiKOKI.

Esta lista de repuestos será de utilidad si es presentada junto con la herramienta al Centro de Servicio Autorizado de HiKOKI, para solicitar la reparación o cualquier otro tipo de mantenimiento.

En el manejo y el mantenimiento de las herramientas eléctricas, se deberán observar las normas y reglamentos vigentes en cada país.

MODIFICACIONES

HiKOKI Power Tools introduce constantemente mejoras y modificaciones para incorporar los últimos avances tecnológicos.

Por consiguiente, algunas partes pueden ser modificadas sin previo aviso.

GARANTÍA

Las herramientas motorizadas de HiKOKI incluye una garantía conforme al reglamento específico legal/nacional. Esta garantía no cubre los defectos o daños debidos al uso incorrecto, el abuso o el desgaste normal. En caso de reclamación, envíe la herramienta motorizada, sin desmontar y con el CERTIFICADO DE GARANTÍA que aparece al final de estas instrucciones de uso, al Centro de Servicio Autorizado de HiKOKI.

NOTA:

Debido al programa continuo de investigación y desarrollo de HiKOKI estas especificaciones están sujetas a cambio sin previo aviso.

Información sobre el ruido propagado por el aire y vibración

Los valores medidos se determinaron de acuerdo con EN60745 declararon de conformidad con ISO 4871.

Nivel de potencia auditiva ponderada A: 96 dB (A)

Nivel de presión auditiva ponderada A: 85 dB (A)

Duda K_{pA} : 3 dB (A)

Utilice protecciones auriculares.

Valores totales de la vibración (suma de vectores triax.) determinados de acuerdo con EN60745.

Cortar Madera:

Incertidumbre $K = 1,5 \text{ m/s}^2$

Valor de emisión de la vibración **a_h**, **CW** = 9,0 m/s^2

Incertidumbre $K = 1,5 \text{ m/s}^2$

Cortar placa metálica:

Valor de emisión de la vibración **a_h**, **CM** = 13,2 m/s^2

Incertidumbre $K = 1,5 \text{ m/s}^2$

El valor total de vibración declarado ha sido medido de acuerdo con un método de prueba estándar y permite comparar unas herramientas con otras.

También resulta útil para llevar a cabo evaluaciones preliminares de exposición.

ADVERTENCIA

- La emisión de vibración durante la utilización de la herramienta eléctrica puede ser diferente del valor total declarado dependiendo de las formas de utilización de la herramienta.
- Para identificar medidas seguras para proteger al operario basadas en una estimación de exposición en las condiciones reales de uso (teniendo en cuenta todas las partes del ciclo de funcionamiento como tiempos cuando la herramienta está apagada y cuando funciona lentamente además del tiempo de activación).

Tabla 1 Lista de cuchillas apropiadas

Material a cortar	Cuchilla	N.º 1	N.º 1	N.º 11	N.º 12,	N.º 15	N.º 16,	N.º 21	N.º 22	N.º 41	N.º 97	123X
		(Largo)	(Extralarga)		42		46					
	Calidad de material	Grosor del material (mm)										
Madera útil	Madera útil general	Menos 90	Menos 90	10 ~ 55	Menos 20			10 ~ 55	5 ~ 40	10 ~ 65		
	Madera contrachapada			5 ~ 30	Menos 10			5 ~ 30	3 ~ 20			
Plancha de hierro	Placa de acero pobre en carbono					3 ~ 6	Menos 3				2 ~ 5	1,5 ~ 8
	Chapa de acero inoxidable										1,5 ~ 2,5	
Metal no férrico	Aluminio, cpbre, latón					3 ~ 12	Menos 3				Menos 5	
	Vidriera corrediza de aluminio					Altura hasta 25					Altura hasta 25	Altura hasta 30
Plásticos	Resina de fenol, resina de melamina, etc					5 ~ 20	Menos 6	5 ~ 15	Menos 6		5 ~ 15	
	Cloruro de vinilo, resina acrílica, etc			5 ~ 30	Menos 10	5 ~ 20	Menos 5	5 ~ 30	3 ~ 20		5 ~ 15	
	Polietileno espumoso, estirolo espumoso			10 ~ 55	3 ~ 25	5 ~ 25	3 ~ 25	10 ~ 55	3 ~ 40		5 ~ 25	
Pasta de papel	Cartón, cartón ondulado			10 ~ 55	3 ~ 25			10 ~ 55	3 ~ 40			
	Fibra prensada dura					3 ~ 25	Menos 6				3 ~ 25	
	Fibra prensada						Menos 6					

NOTA:

○ El radio mínimo de corte de las cuchillas, N.º 1 (Largo), N.º 1 (Extralarga), N.º 21, N.º 22 y N.º 41 es de 100 mm.

AVISOS GERAIS DE SEGURANÇA PARA A FERRAMENTA ELÉCTRICA

⚠ AVISO

Leia todas as instruções e avisos de segurança.

Se não seguir todas as instruções e os avisos, pode provocar um choque eléctrico, incêndio e/ou ferimentos graves.

Guarde todos os avisos e instruções para referência futura. O termo "ferramenta eléctrica" em todos os avisos refere-se à sua ferramenta ligada à corrente (com fios) ou à ferramenta eléctrica a baterias (sem fios).

1) Segurança da área de trabalho

- Mantenha a área de trabalho limpa e bem iluminada. As áreas escuras ou cheias de material são propícias aos acidentes.
- Não trabalhe com ferramentas eléctricas em ambientes explosivos, tais como na presença de líquidos inflamáveis, gases ou pó. As ferramentas eléctricas criam faíscas que podem inflamar o pó dos fumos.
- Mantenha as crianças e outras pessoas afastadas quando trabalhar com uma ferramenta eléctrica. As distrações podem fazer com que perca controlo.

2) Segurança eléctrica

- As fichas da ferramenta eléctrica devem corresponder às tomadas. Nunca modifique a ficha. Não utilize fichas adaptadoras com ferramentas eléctricas ligadas à terra. As fichas não modificadas e tomadas correspondentes reduzirão o risco de choques eléctricos.
- Evite contacto corporal com superfícies ligadas à terra, tais como tubos, radiadores, máquinas e frigoríficos. Existe um risco acrescido de choque eléctrico se o seu corpo estiver ligado à terra.
- Não exponha ferramentas eléctricas à chuva ou condições de humidade. A entrada de água numa ferramenta eléctrica aumentará o risco de choques eléctricos.
- Não abuse do fio. Nunca utilize o fio para transportar, puxar ou desligar a ferramenta eléctrica. Mantenha o fio afastado do calor, óleo, margens afiadas ou peças em movimento. Os fios danificados ou entrelaçados podem aumentar o risco de choques eléctricos.
- Quando trabalhar com uma ferramenta eléctrica no exterior, utilize uma extensão adequada para utilização exterior. A utilização de um fio adequado para utilização no exterior reduz o risco de choques eléctricos.
- Se não for possível evitar a utilização de uma máquina eléctrica num local húmido, utilize uma fonte de alimentação protegida por um dispositivo de corrente residual (RCD). A utilização de um RCD reduz o risco de choque eléctrico.

3) Segurança pessoal

- Mantenha-se alerta, esteja atento ao que está a fazer e utilize senso comum quando trabalhar com uma ferramenta eléctrica. Não utilize uma ferramenta eléctrica quando estiver cansado ou sob a influência de drogas, álcool ou medicamentos. Um momento de desatenção enquanto trabalha com ferramentas eléctricas pode resultar em ferimentos pessoais graves.

- Utilize equipamento de protecção pessoal. Utilize sempre protecção para os olhos.

O equipamento de protecção, tal como uma máscara de pó, sapatos de segurança anti-derrapantes, chapéu rígido ou protecção auricular utilizados para condições adequadas reduzirá os ferimentos pessoais.

- Evite ligar por acidente. Certifique-se de que o interruptor está na posição de desligado antes de ligar a fonte de alimentação e/ou bateria, levantar ou transportar a ferramenta. Transportar ferramentas eléctricas com o dedo no interruptor ou activar ferramentas que estão com o interruptor ligado é propício a acidentes.
 - Remova qualquer chave de parafusos ou chave-inglesa de regulação antes de ligar a ferramenta. Uma chave-inglesa ou de parafusos ligada à parte rotativa da ferramenta pode provocar ferimentos pessoais.
 - Não se estique. Mantenha sempre o controlo e equilíbrio adequados. Isto permite obter um melhor controlo da ferramenta em situações inesperadas.
 - Use vestuário adequado. Não use roupas largas ou jóias. Mantenha o cabelo, roupas e luvas afastados das peças móveis. As roupas largas, jóias ou cabelo comprido podem ser apanhados em peças móveis.
 - Se forem fornecidos dispositivos para a ligação de extractores de pó e dispositivos de recolha, certifique-se de que estes estão ligados e são utilizados adequadamente. A utilização de uma recolha de pó pode reduzir os perigos relacionados com o pó.
- #### 4) Utilização da ferramenta e manutenção
- Não force a ferramenta eléctrica. Utilize a ferramenta correcta para a sua aplicação. A ferramenta correcta fará o trabalho melhor e com mais segurança à velocidade para a qual foi concebida.
 - Não utilize a ferramenta eléctrica se o interruptor não a ligar ou desligar. Qualquer ferramenta que não possa ser controlada com o interruptor é perigosa e deve ser reparada.
 - Desligue a ficha da rede antes e/ou a bateria da ferramenta eléctrica antes de efectuar quaisquer regulações, mudar os acessórios ou guardar ferramentas eléctricas. Tais medidas de segurança de prevenção reduzem o risco de ligar a ferramenta eléctrica acidentalmente.
 - Guarde as ferramentas eléctricas fora do alcance de crianças e não permita que pessoas não habituadas à ferramenta eléctrica ou estas instruções trabalhem com a ferramenta. As ferramentas eléctricas são perigosas nas mãos de utilizadores inexperientes.
 - Efectue a manutenção de ferramentas eléctricas. Verifique a existência de desalinhamentos ou dobragens das peças móveis, quebras de peças e quaisquer outras condições que possam afectar o funcionamento das ferramentas eléctricas. Se danificada, mande reparar a ferramenta antes de utilizar. Muitos acidentes são causados por ferramentas com má manutenção.
 - Mantenha as ferramentas de corte afiadas e limpas. As ferramentas de corte com uma manutenção adequada e extremidades afiadas são menos propensas a dobrar e mais fáceis de controlar.

- g) Utilize a ferramenta eléctrica, acessórios e pontas de ferramentas, etc., de acordo com estas instruções, tomando em consideração as condições de trabalho e o trabalho a ser efectuado.

A utilização de uma ferramenta eléctrica para operações diferentes das concebidas pode resultar num mau funcionamento.

5) Manutenção

- a) Faça a manutenção da sua ferramenta eléctrica por um pessoal de reparação qualificado e utilize apenas peças de substituição idênticas.

Isto garantirá que a segurança da ferramenta eléctrica é mantida.

AVISO

Mantenha afastadas das crianças e pessoas doentes.

Quando não estiverem a ser utilizadas, as ferramentas devem ser guardadas fora do alcance de crianças e pessoas doentes.

ESPECIFICAÇÕES

Voltagem (por áreas)*	(110 V, 115 V, 120 V, 127 V, 220 V, 230 V, 240 V) ~
Potência de entrada*	705 W
Profundidade máxima de corte	Madeira 90 mm Aço doce 8 mm
Rotação sem carga	850 – 3000 min ⁻¹
Golpe	20 mm
Raio mínimo de corte	25 mm
Peso (sem fio nem)	2,2 kg

*Não deixe de verificar a voltagem na placa identificadora constante do produto, pois ela está sujeita a mudanças conforme a área.

ACESSÓRIOS-PADRÃO

- (1) Lâminas (Nº 41) 1
Consulte a **Tabela 1** para o uso das lâminas.
(2) Chave de barra sextavada 1
Os acessórios-padrão estão sujeitos a mudanças sem aviso prévio.

ACESSÓRIOS OPCIONAIS

... vendidos separadamente

- (1) Vários tipos de lâminas.
Consulte a **Tabela 1** para o uso das lâminas.

- (2) Guia
(3) Sub base
(4) Suporte para bancada (Modelo TR12-B)
(5) Proteção contra lascas
(6) Colector de poeira

Os acessórios opcionais estão sujeitos a mudanças sem aviso prévio.

APLICAÇÕES

- Corte de várias madeiras e cortes de bolso
- Corte de chapas de aço doce, chapas de alumínio e chapas de cobre
- Corte de resinas sintéticas, como resinas de fenol e de cloreto de vinil
- Corte de materiais de construção finos e maleáveis
- Corte de chapas de aço inoxidável (com lâmina Nº 97)

PRECAUÇÕES QUANTO AO USO DA SERRA DE RECORTES

1. **Segure na ferramenta pelas superfícies isoladas, quando efectuar uma operação em que o acessório de corte possa entrar em contacto com cabos ocultos ou com o próprio cabo de alimentação.** O contacto do acessório de corte com um cabo com corrente poderá electrificar as partes metálicas da ferramenta podendo electrocutar o utilizador.
2. Esta máquina emprega um motor de alta potência. Se ela for usada continuamente em baixa velocidade, aplica-se uma carga extra sobre o motor, o que pode resultar num emperramento do motor. Opere sempre a ferramenta elétrica de maneira que a lâmina não seja presa pelo material durante a operação. Ajuste sempre a velocidade da lâmina de modo a permitir um corte regular.

ANTES DA OPERAÇÃO

1. **Fonte de energia**
Certifique-se de que a fonte de energia a ser utilizada está conforme às exigências especificadas na placa identificadora do produto.
2. **Interruptor**
Certifique-se de que o interruptor está na posição desligada. Se o plugue estiver conectado a um receptáculo quando o interruptor estiver ligado, a ferramenta elétrica vai começar a operar imediatamente, podendo provocar um grave acidente.
3. **Cabo de extensão**
Quando o local de trabalho não possuir uma fonte de energia, utilize um cabo de extensão de espessura e de potência nominal suficientes. A extensão deve ser mantida tão curta quanto possível.
4. **Pó produzido durante o funcionamento**
O pó produzido durante o funcionamento normal pode afectar a saúde do operador. Qualquer uma das soluções é recomendada.

- a) Use uma máscara contra o pó
- b) Use equipamento de recolha de pó externo

Quando usar equipamento de recolha de pó externo, ligue o adaptador ao tubo flexível a partir do equipamento de recolha de pó externo.

5. Troca de lâminas

- (1) Abra a alavanca até o fim. (Fig. 1-I)
- (2) Retire a lâmina ajustada.
- (3) Insira a nova lâmina até o fim no suporte de lâmina. (Fig. 1-II)
- (4) Feche a alavanca. (Fig. 1-III)

CUIDADO:

- Ao trocar lâminas, não deixe de desligar a ferramenta e desconectar o plugue da tomada.
- Não abra a alavanca quando o êmbolo estiver se movendo.

NOTA:

- Verifique se as saliências da lâmina foram inseridas firmemente no suporte da lâmina. (Fig. 2)
- Verifique se a lâmina está localizada entre os sulcos do cilindro. (Fig. 3)

6. Ajuste da velocidade de operação da lâmina

Esta serra tico-tico está equipada com circuito de controle elétrico que permite controle de velocidade sem etapas intermediárias. Ajuste da velocidade de operação da lâmina, gire o dial como mostra a Fig. 4. Quando o dial estiver ajustado em "1", a serra tico-tico opera na velocidade mínima (850min⁻¹). Quando o dial estiver ajustado em "5", a serra tico-tico opera na velocidade máxima (3000min⁻¹). Ajuste a velocidade de acordo com o material a ser cortado e a eficiência do trabalho.

CUIDADO:

Em velocidade baixa (ajuste no dial: 1 ou 2) não corte madeiras com espessura de mais de 10 mm ou metal com espessura de mais de 1 mm.

7. Ajuste de operação orbital

- (1) Ajuste o botão de câmbio mostrad na Fig. 5 em "0" para eliminar a operação orbital (a lâmina se desloca somente para cima e para baixo). A operação orbital pode ser selecionada em 4 passos de "0" a "III".
- (2) Para materiais duros, como chapas de aço, etc., diminua a operação orbital. Para materiais maleáveis, como madeira, plástico, etc., aumente a operação orbital para promover a eficiência do trabalho. Para cortar com precisão o material, diminua a operação orbital.

8. Corte de chapas de aço inoxidável

Esta serra de recortes pode cortar chapas de aço inoxidável usando lâminas N° 97.

Para uma operação correta, leia com atenção "Sobre o corte de chapas de aço inoxidável".

9. Proteção contra lascas

A utilização da proteção contra lascas ao cortar materiais de madeira reduz as lascas das superfícies cortadas.

Insira a proteção contra lascas no espaço sobre a base e empurre para frente. (Veja Fig. 6)

10. Sub base

O uso da sub base (feita de aço) reduz o desgaste da base de alumínio, especialmente no corte de metais. A utilização da sub base (feita de resina) reduz a formação de sulcos na superfície de corte.

Prenda a sub base na parte inferior da superfície da base com 4 parafusos.

11. RCD

Deve ser sempre utilizado um dispositivo diferencial com uma corrente diferencial igual ou inferior a 30mA.

CORTE

CUIDADO:

- Para evitar deslocamento da lâmina, danos ou desgaste excessivo no êmbolo, certifique-se de que a placa-base permanece presa na peça de trabalho durante a operação de serração.

1. Corte retilíneo

Ao cortar em linha reta, primeira desenhe uma linha de calibragem e avance a serra ao longo desta linha. O uso da guia (vendida separadamente) permite cortar com precisão em linha reta.

- (1) Desaperte o parafuso da base com a chave de barra hexagonal presa na base. (Fig. 7)
- (2) Desloque a base totalmente para a frente (Fig. 8) e aperte novamente o parafuso da base.
- (3) Prenda a guia passando-a através do furo de fixação na base e aperte o parafuso M5. (Fig.9)
- (4) Ajuste a posição orbital em "0".

NOTA:

Para garantir um corte preciso ao utilizar a Guia (Fig. 9), ajuste sempre a posição orbital em "0".

2. Corte de círculo ou de arco circular

Ao serrar um pequeno arco circular, reduza a velocidade de alimentação da máquina. Se a máquina for alimentada com muita rapidez, pode-se provocar a quebra da lâmina.

3. Cutting a circle or a circular arc

A guia também é útil para o corte circular. Depois de prender a guia da mesma forma descrita acima, fixe o prego ou o parafuso no material através do furo na guia, então use-o como um eixo ao cortar. (Fig. 10)

NOTA:

Corte circular deve ser feito com a lâmina quase vertical em relação à superfície inferior da base.

4. Corte de materiais metálicos

- (1) Ajuste o dial de velocidade entre as escalas "3" e "4".
- (2) Ajuste a posição orbital em "0" ou "1".
- (3) Use sempre um fluido de corte apropriado (óleo de eixo, água com sabão, etc). Quando um fluido de corte não estiver disponível, aplique lubrificante na superfície posterior do material a ser cortado.

5. Corte de bolso

- (1) Em madeira
Alinhe a direção da lâmina com o veio da madeira, corte passo a passo até que um furo de janela seja feito no centro da madeira. (Fig. 11)

- (2) Em outros materiais
Ao cortar um furo de janela em materiais diferentes de madeira, faça primeiro um orifício com uma broca ou ferramenta similar e daí comece a cortar.

6. Corte angular

A base pode ser inclinada para ambos os lados até 45° para cortes angulares. (Fig. 12)

- (1) Desaperte o parafuso da base com a chave de barra sextavada presa na base e desloque a base totalmente para frente. (Figs. 7 e 8)
- (2) Alinhe a escala (de 0 graus até 45 graus por incrementos de 15 graus) da parte semicircular da base com a marca [▽] na tampa da engrenagem. (Fig. 13)
- (3) Aperte novamente o parafuso M5. (Fig. 7)
- (4) Ajuste a posição orbital em "0".

NOTA:

O corte angular não pode ser feito quando estiver a utilizando o coletor de poeira.

CONEXÃO COM O LIMPADOR

Pode-se coletar a maior parte da poeira, conectando-se ao limpador (vendido separadamente) através do coletor de poeira e adaptador (vendido separadamente).

- (1) Retire a chave de barra sextavada da base.
- (2) Desloque a base totalmente para frente. (Figs. 7, 8)
- (3) Conecte o coletor de poeira ao adaptador. (Fig. 14)
- (4) Conecte o adaptador à ponta do limpador. (Fig. 14)
- (5) Insira o coletor de poeira no furo traseiro da base até que o gancho se prenda no encaixe. (Fig. 15)
- (6) Pressione o gancho para retirar o coletor de poeira.

NOTA:

Use ainda uma máscara para o pó, se disponível.

SOBRE O CORTE DE CHAPAS DE AÇO INOXIDÁVEL

CUIDADO:

Ao serrar, a base deve estar firmemente em contato com a superfície do material, e a lâmina deve ser mantida em ângulo reto. Se a base se separar do material, a lâmina pode quebrar.

Ao cortar chapas de aço inoxidável, ajuste o aparelho da maneira abaixo descrita:

1. Ajuste a velocidade

Lâmina	Espessura do material	Escala no dial
N° 97	1,5 ~ 2,5 mm	Posição da ranhura média entre as escalas "2" e "3"

NOTA:

A leitura da escala do dial é apenas para referência. Quanto maior for a velocidade, mais rápido será o corte do material. Mas, neste caso, a vida útil da lâmina será reduzida. Quando a velocidade for muito baixa, o corte levará mais tempo, embora a vida útil da lâmina seja prolongada. Faça os ajustes desejados.

2. Ajuste a posição orbital para "0"

NOTA:

- Ao cortar, use fluido de corte (fluido de corte oleoso) para prolongar a vida útil da lâmina.

SELEÇÃO DAS LÂMINAS

○ Lâminas acessórias

Para garantir uma eficiência máxima de operação e de resultados, é muito importante selecionar a lâmina mais adequada para o tipo e a espessura do material a ser cortado. São oferecidos três tipos de lâminas como acessórios-padrão. O número da lâmina está gravado perto da parte de montagem de cada lâmina. Selecione as lâminas apropriadas, consultando a Tabela 1.

ALOJANDO A CHAVE DE BARRA SEXTAVADA

É possível alojar a chave de barra sextavada na base (veja Fig. 16).

MANUTENÇÃO E INSPEÇÃO

1. Inspeção da lâmina

O uso contínuo de uma lâmina cega e danificada resulta em eficiência reduzida de corte e pode provocar sobrecarga do motor. Substitua a lâmina por uma nova tão logo observe uma abrasão excessiva.

2. Inspeção dos parafusos de montagem

Inspeccione regularmente todos os parafusos de montagem e se certifique de que estão corretamente apertados. Se algum deles estiver frouxo, reaperte-o imediatamente. Caso isso não seja feito, pode resultar em perigo grave.

3. Manutenção do motor

A unidade de enrolamento do motor é o verdadeiro "coração" da ferramenta elétrica. Cuide bem para assegurar que o enrolamento não se danifique e/ou se molhe com óleo ou água.

4. Inspeção das escovas de carvão

Para sua segurança duradoura e proteção contra choques elétricos, a inspeção das escovas de carvão e a substituição delas nesta ferramenta deve ser feita APENAS numa OFICINA AUTORIZADA DA HiKOKI.

5. Substituição do cabo de alimentação

Se o cabo de alimentação estiver danificado, a Ferramenta deve ser levada à Oficina Autorizada da HiKOKI para substituição do mesmo.

6. Lista de peças para conserto

CUIDADO

Consertos, modificações e inspeção de Ferramentas Elétricas da HiKOKI devem ser realizados por uma Oficina Autorizada da HiKOKI.

Esta lista de peças pode ser útil se apresentada com a ferramenta na Oficina Autorizada da HiKOKI ao solicitar conserto ou manutenção.

Na operação e na manutenção das ferramentas elétricas, devem-se observar as normas de segurança e os padrões prescritos por cada país.

MODIFICAÇÃO

As Ferramentas Elétricas da HiKOKI estão sempre sendo aperfeiçoadas e modificadas para incorporar os mais recentes avanços tecnológicos.

Dessa forma, algumas peças podem mudar sem aviso prévio.

GARANTIA

Garantimos que a HiKOKI Power Tools obedece às respectivas normas específicas estatutárias/de país. Esta garantia não cobre avarias ou danos derivados de má utilização, abuso ou desgaste normal. Em caso de queixa, envie a Ferramenta, não desmontada, juntamente com o CERTIFICADO DE GARANTIA que se encontra no fundo destas instruções de utilização, para um Centro de Serviço Autorizado HiKOKI.

NOTA:

Devido ao contínuo programa de pesquisa e desenvolvimento da HiKOKI, as especificações aqui contidas estão sujeitas a mudanças sem aviso prévio.

Informação a respeito de ruídos e vibração do ar

Os valores medidos foram determinados de acordo com a EN60745 e declarados em conformidade com a ISO 4871.

Nível de potência sonora ponderada A medida: 96 dB (A)
 Nível de pressão sonora ponderada A medida: 85 dB (A)
 Imprecisão KpA: 3 dB (A)

Use proteção auditiva.

Os valores totais da vibração (soma do vector triax) são determinados de acordo com a norma EN60745.

Cortar madeira:

Valor de emissão de vibrações **ah, CW** = 9,0 m/s²
 Incerteza de K = 1,5 m/s²

Cortar folha de metal:

Valor de emissão de vibrações **ah, CM** = 13,2 m/s²
 Incerteza K = 1,5 m/s²

O valor total de vibração declarado foi medido de acordo com um método de teste padrão e pode ser utilizado para comparar ferramentas.

Pode também ser utilizado numa avaliação preliminar de exposição.

AVISO

- O valor de emissão de vibrações durante a utilização da ferramenta eléctrica pode ser diferente do valor total declarado, consoante as formas de utilização da ferramenta.
- Para identificar as medidas de segurança para proteger o operador, que são baseadas numa estimativa de exposição nas actuais condições de utilização (tendo em conta todas as partes do ciclo de funcionamento, tais como os tempos em que a ferramenta é desligada e quando está a funcionar ao ralenti, além do tempo de accionamento do gatilho).

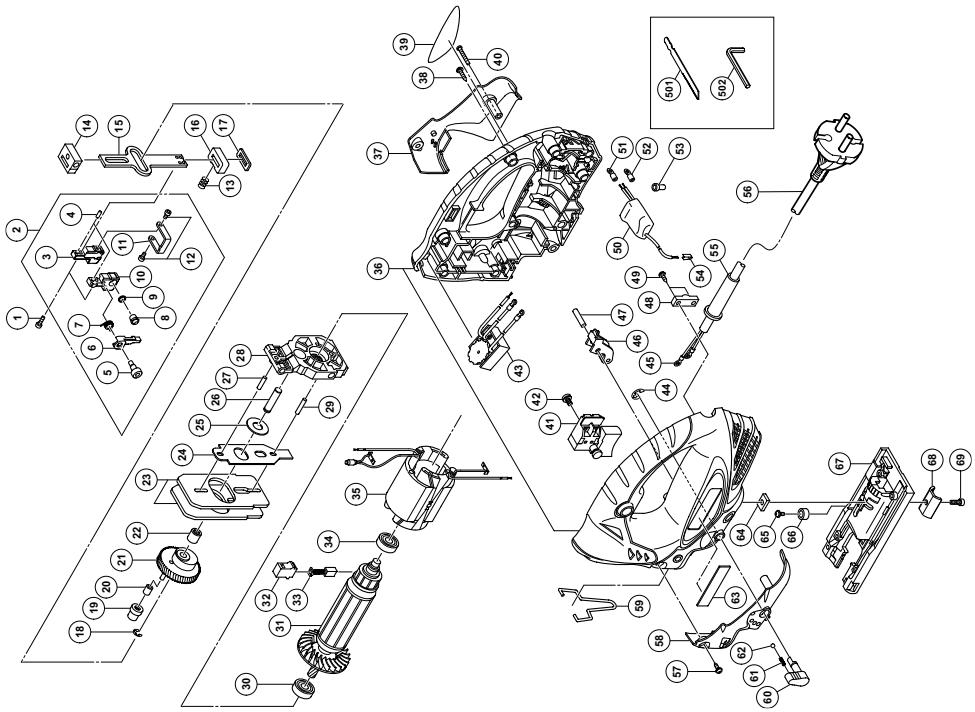
Tabela 1 Lista de lâminas apropriadas

Material a ser cortado	Lâmina	Nº 1	Nº 1	Nº 11	Nº 12,	Nº 15	Nº 16,	Nº 21	Nº 22	Nº 41	Nº 97	123X
		(Longa)	(Superlonga)		42,		46					
		Espessura do material (mm)										
Madeira	Madeira em geral	Abaixo 90	Abaixo 90	10 ~ 55	Abaixo 20			10 ~ 55	5 ~ 40	10 ~ 65		
	Compensado			5 ~ 30	Abaixo 10			5 ~ 30	3 ~ 20			
Chapa de ferro	Chapa de aço doce					3 ~ 6	Abaixo 3				2 ~ 5	1,5 ~ 8
	Chapa de aço inoxidável										1,5 ~ 2,5	
Metal não-ferroso	Alumínio, cobre, latão					3 ~ 12	Abaixo 3				Abaixo 5	
	Cinta de alumínio					Altura até 25					Altura até 25	Altura até 30
Plástico	Resina de fenol, melamina, resina, etc.					5 ~ 20	Abaixo 6	5 ~ 15	Abaixo 6		5 ~ 15	
	Cloreto de vinil, resina acrílica, etc.			5 ~ 30	Abaixo 10	5 ~ 20	Abaixo 5	5 ~ 30	3 ~ 20		5 ~ 15	
	Poliestireno espumoso, isopor espumoso			10 ~ 55	3 ~ 25	5 ~ 25	3 ~ 25	10 ~ 55	3 ~ 40		5 ~ 25	
Polpa	Papelão, papel corrugado			10 ~ 55	3 ~ 25			10 ~ 55	3 ~ 40			
	Papelão duro					3 ~ 25	Abaixo 6				3 ~ 25	
	Papelão de fibra						Abaixo 6					

NOTA:

- O raio de corte mínimo das lâminas Nº 1 (Longa), Nº 1 (Superlonga), Nº 21, Nº 22 e Nº 41 é de 100 mm.

Item No.	Part Name	QTY	Item No.	Part Name	QTY
1	SEAL LOCK HEX. SOCKET HD. BOLT M3	2	38	TAPPING SCREW (W/FLANGE) D4 x 20	8
2	BLADE HOLDER ASSY	1	39	NAME PLATE	1
3	BLADE HOLDER (A)	1	40	MACHINE SCREW M4 x 30	1
4	PIN D3	2	41	SWITCH (E)	1
5	SPECIAL BOLT M4	1	42	MACHINE SCREW (W/WASHER) M3.5 x 6	4
6	LEVER (A)	1	43	CONTROLLER CIRCUIT	1
7	SPRING (D)	1	44	RETAINING RING (E-TYPE) FOR D5 SHAFT	1
8	HOLDER PIN (B)	1	45	TERMINAL	2
9	SPRING (B)	1	46	ROLLER HOLDER	1
10	BLADE HOLDER (B)	1	47	NEEDLE ROLLER	1
11	HOLDER PLATE	1	48	CORD CLIP	1
12	SEAL LOCK HEX. SOCKET HD. BOLT M3 x 6	2	49	TAPPING SCREW (W/FLANGE) D4 x 16	2
13	SPRING	1	50	VARISTOR	1
14	PLUNGER HOLDER (A)	1	51	TERMINAL M3.5	1
15	PLUNGER	1	52	TERMINAL	1
16	PLUNGER HOLDER (B)	1	53	CONNECTOR 50091	1
17	PACKING	1	54	EARTH TERMINAL	1
18	RETAINING RING FOR D7 SHAFT	1	55	CORD ARMOR	1
19	CONNECTING PIECE	1	56	CORD	1
20	NEEDLE BEARING	1	57	TAPPING SCREW (W/FLANGE)	2
21	GEAR	1	58	SIDE COVER (A)	1
22	NEEDLE BEARING	1	59	GUARD BAR	1
23	BALANCE WEIGHT	2	60	CHANGE KNOB	1
24	ORBITAL CAM	1	61	SPRING (C)	1
25	WASHER (A)	1	62	STEEL BALL D3.97	1
26	SPINDLE	1	63	BRAND LABEL	1
27	NEEDLE ROLLER	1	64	PLATE NUT	1
28	GEAR HOLDER	1	65	MACHINE SCREW (W/WASHER) M4 x 8	1
29	NEEDLE ROLLER D4 x 20	1	66	RUBBER BUSHING	1
30	BALL BEARING	1	67	BASE	1
31	ARMATURE	2	68	BASE LOCKER	1
32	BRUSH HOLDER	2	69	HEX. SOCKET HD. BOLT M5 x 16	1
33	CARBON BRUSH	2	501	BLADE	1
34	BALL BEARING	1	502	HEX. BAR WRENCH 4MM	1
35	STATOR	1			
36	HOUSING (A),(B) SET	1			
37	SIDE COVER (B)	1			



<p>English</p> <p><u>GUARANTEE CERTIFICATE</u></p> <ol style="list-style-type: none"> ① Model No. ② Serial No. ③ Date of Purchase ④ Customer Name and Address ⑤ Dealer Name and Address (Please stamp dealer name and address) 	<p>Nederlands</p> <p><u>GARANTIEBEWIJS</u></p> <ol style="list-style-type: none"> ① Modelnummer ② Serienummer ③ Datum van aankoop ④ Naam en adres van de gebruiker ⑤ Naam en adres van de handelaar (Stempel a.u.b. naam en adres vande de handelaar)
<p>Deutsch</p> <p><u>GARANTIESCHEIN</u></p> <ol style="list-style-type: none"> ① Modell-Nr. ② Serien-Nr. ③ Kaufdatum ④ Name und Anschrift des Kunden ⑤ Name und Anschrift des Händlers (Bitte mit Namen und Anschrift des Handlers abstempeln) 	<p>Español</p> <p><u>CERTIFICADO DE GARANTIA</u></p> <ol style="list-style-type: none"> ① Número de modelo ② Número de serie ③ Fecha de adquisición ④ Nombre y dirección del cliente ⑤ Nombre y dirección del distribuidor (Se ruega poner el sellú del distribuidor con su nombre y dirección)
<p>Français</p> <p><u>CERTIFICAT DE GARANTIE</u></p> <ol style="list-style-type: none"> ① No. de modèle ② No. de série ③ Date d'achat ④ Nom et adresse du client ⑤ Nom et adresse du revendeur (Cachet portant le nom et l'adresse du revendeur) 	<p>Português</p> <p><u>CERTIFICADO DE GARANTIA</u></p> <ol style="list-style-type: none"> ① Número do modelo ② Número do série ③ Data de compra ④ Nome e morada do cliente ⑤ Nome e morada do distribuidor (Por favor, carimbe o nome e morada do distribuidor)
<p>Italiano</p> <p><u>CERTIFICATO DI GARANZIA</u></p> <ol style="list-style-type: none"> ① Modello ② N° di serie ③ Data di acquisto ④ Nome e indirizzo dell'acquirente ⑤ Nome e indirizzo del rivenditore (Si prega di apporre il timbro con questi dati) 	



HIKOKI

①	
②	
③	
④	
⑤	



Hikoki Power Tools Deutschland GmbH

Siemensring 34, 47877 Willich, Germany
Tel: +49 2154 49930
Fax: +49 2154 499350
URL: <http://www.hikoki-powertools.de>

Hikoki Power Tools Netherlands B.V.

Brabanthaven 11, 3433 PJ Nieuwegein, The Netherlands
Tel: +31 30 6084040
Fax: +31 30 6067266
URL: <http://www.hikoki-powertools.nl>

Hikoki Power Tools (U.K.) Ltd.

Precedent Drive, Rooksley, Milton Keynes, MK 13, 8PJ,
United Kingdom
Tel: +44 1908 660663
Fax: +44 1908 606642
URL: <http://www.hikoki-powertools.uk>

Hikoki Power Tools France S.A.S.

Parc de l'Eglantier 22, rue des Cerisiers, Lisses-C.E. 1541,
91015 EVRY CEDEX, France
Tel: +33 1 69474949
Fax: +33 1 60861416
URL: <http://www.hikoki-powertools.fr>

Hikoki Power Tools Belgium N.V./S.A.

Koningin Astridlaan 51, B-1780 Wommel, Belgium
Tel: +32 2 460 1720
Fax: +32 2 460 2542
URL: <http://www.hikoki-powertools.be>

Hikoki Power Tools Italia S.p.A


Via Piave 35, 36077, Altavilla Vicentina (VI), Italy
Tel: +39 0444 548111
Fax: +39 0444 548110
URL: <http://www.hikoki-powertools.it>

Hikoki Power Tools Ibérica, S.A.

C/ Puigbarral, 26-28, Pol. Ind. Can Petit, 08227 Terrassa
(Barcelona), Spain
Tel: +34 93 735 6722
Fax: +34 93 735 7442
URL: <http://www.hikoki-powertools.es>

Hikoki Power Tools Österreich GmbH

IndustrieZentrum NÖ –Süd, Straße 7, Obj. 58/A6 2355
Wiener Neudorf, Austria
Tel: +43 2236 64673/5
Fax: +43 2236 63373
URL: <http://www.hikoki-powertools.at>

<p>English</p> <p>EC DECLARATION OF CONFORMITY</p> <p>We declare under our sole responsibility that Jig Saw, identified by type and specific identification code *1), is in conformity with all relevant requirements of the directives *2) and standards *3). Technical file at *4) – See below. The European Standard Manager at the representative office in Europe is authorized to compile the technical file. The declaration is applicable to the product affixed CE marking.</p>	<p>Nederlands</p> <p>EC VERKLARING VAN CONFORMITEIT</p> <p>Wij verklaren onder onze eigen verantwoordelijkheid dat Decoupeerzaagmachine, geïdentificeerd door het type en de specifieke identificatiecode*1), voldoet aan alle relevante bepalingen van de richtlijnen*2) en normen*3). Technische documentatie bij*4) – zie onder. De Europese Normen Manager bij de vertegenwoordiging in Europa is gemachtigd om het technisch dossier samen te stellen. Deze verklaring is van toepassing op producten voorzien van de CE-markeringen.</p>
<p>Deutsch</p> <p>EG-KONFORMITÄTSERLÄRUNG</p> <p>Wir erklären in alleiniger Verantwortung, dass die durch den Typ und den spezifischen Identifizierungscode *1) identifizierte Stichsäge allen einschlägigen Bestimmungen der Richtlinien *2) und Normen *3) entspricht. Technische Unterlagen unter *4) – Siehe unten. Die Leitung der repräsentativen Behörde für europäische Normen und Richtlinien ist berechtigt, die technischen Unterlagen zusammenzustellen. Die Erklärung gilt für die an dem Produkt angebrachte CE-Kennzeichnung.</p>	<p>Español</p> <p>DECLARACIÓN DE CONFORMIDAD DE LA CE</p> <p>Declaramos bajo nuestra única responsabilidad que la Sierra de calar, identificada por tipo y por código de identificación específico *1), está en conformidad con todas las disposiciones correspondientes de las directivas *2) y de las normas *3). Documentación técnica en *4) – Ver a continuación. El Director de Normas Europeas en la oficina de representación en Europa está autorizado para elaborar el expediente técnico. La declaración se aplica al producto con marcas de la CE.</p>
<p>Français</p> <p>DECLARATION DE CONFORMITE CE</p> <p>Nous déclarons sous notre entière responsabilité que scie sauteuse, identifiée par le type et le code d'identification spécifique *1) est en conformité avec toutes les exigences applicables des directives *2) et des normes *3). Dossier technique en *4) – Voir ci-dessous. Le Gestionnaire des normes européennes du bureau de représentation en Europe est autorisé à constituer le dossier technique. Cette déclaration s'applique aux produits désignés CE.</p>	<p>Português</p> <p>DECLARAÇÃO DE CONFORMIDADE CE</p> <p>Declaramos, sob nossa única e inteira responsabilidade, que Serra de Recortes, identificada por tipo e código de identificação específico *1), está em conformidade com todos os requerimentos relevantes das diretivas *2) e normas *3). Ficheiro técnico em *4)–Consulte abaixo. O Gestor de Normas Europeias no escritório de representação na Europa está autorizado a compilar o ficheiro técnico. A declaração aplica-se aos produtos com marca CE.</p>
<p>Italiano</p> <p>DICHIARAZIONE DI CONFORMITÀ CE</p> <p>Dichiariamo sotto la nostra esclusiva responsabilità che il seghetto alternativo, identificato dal tipo e dal codice identificativo specifico *1), è conforme a tutti i requisiti delle direttive *2) e degli standard *3). Documentazione tecnica presso *4) – Vedere sotto. Il gestore delle norme europee presso l'ufficio di rappresentanza in Europa è autorizzato a compilare il fascicolo tecnico. La dichiarazione è applicabile ai prodotti cui sono applicati i marchi CE.</p>	
<p>*1) CJ90VST C340975R C340976M C342795E *2) 2006/42/EC, 2014/30/EU, 2011/65/EU *3) EN60745-1:2009+A11:2010 EN60745-2-11:2010 EN55014-1:2006+A1:2009+A2:2011 EN55014-2:1997+A1:2001+A2:2008 EN61000-3-2:2014 EN61000-3-3:2013</p>	
<p>*4) Representative office in Europe Hikoki Power Tools Deutschland GmbH Siemensring 34, 47877 Willich, Germany</p> <p>Head office in Japan Koki Holdings Co., Ltd. Shinagawa Intercity Tower A, 15-1, Konan 2-chome, Minato-ku, Tokyo, Japan</p>	<p>29. 6. 2018 Naoto Yamashiro European Standard Manager</p> <p>29. 6. 2018  A. Nakagawa Corporate Officer</p> 