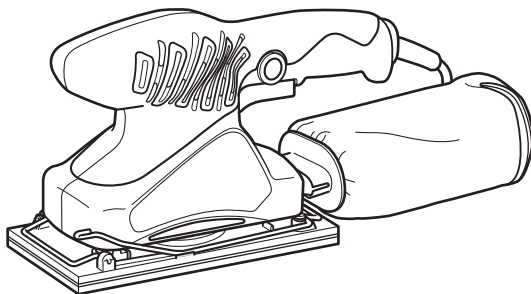


HIKOKI

**Orbital Sander
Schwingschleifer
Ponceuse orbitale
Levigatrice orbitale
Vlakschuurmachine
Lijadora orbital
Lixadeira orbital
Παλμικό τριβείο
Titreşimli Zımpara**

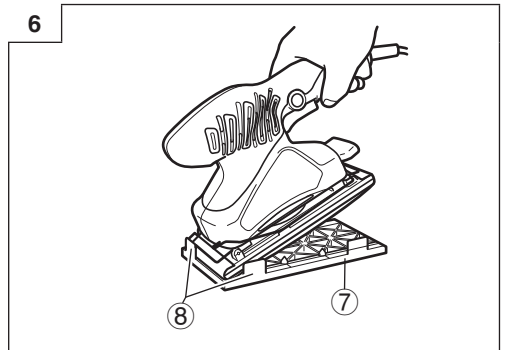
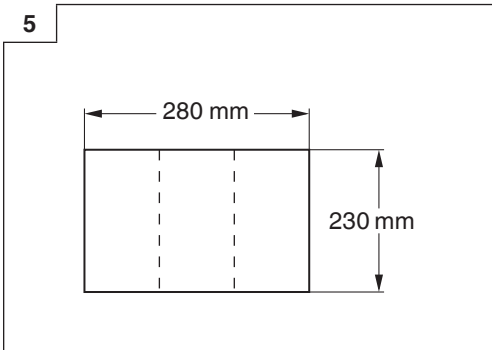
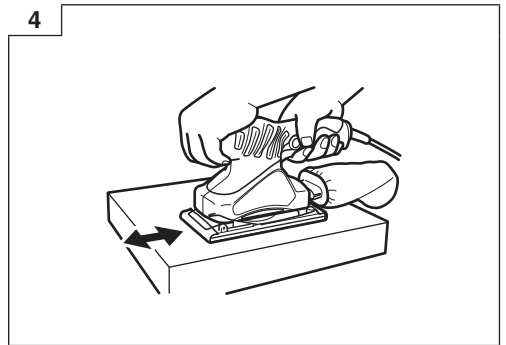
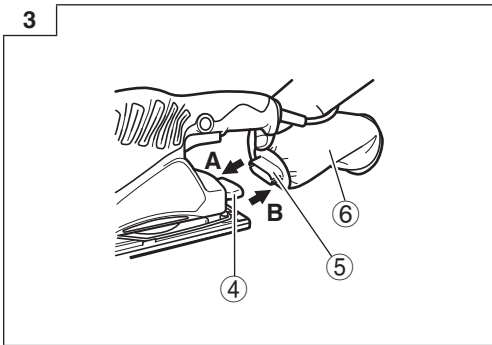
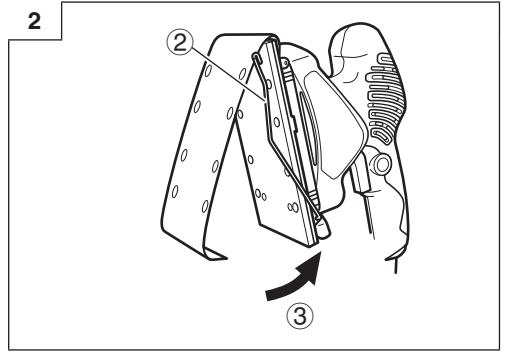
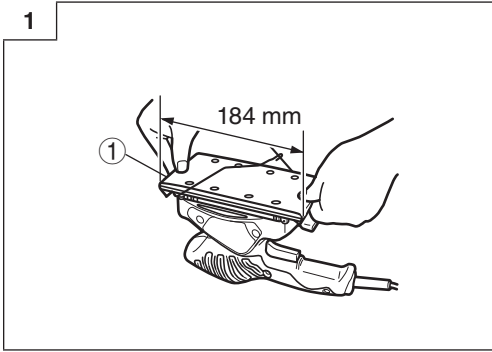
FSV 10SA



Read through carefully and understand these instructions before use.
Diese Anleitung vor Benutzung des Werkzeugs sorgfältig durchlesen und verstehen.
Lire soigneusement et bien assimiler ces instructions avant usage.
Prima dell'uso leggere attentamente e comprendere queste istruzioni.
Deze gebruiksaanwijzing s.v.p. voor gebruik zorgvuldig doorlezen.
Leer cuidadosamente y comprender estas instrucciones antes del uso.
Antes de usar, leia com cuidado para assimilar estas instruções.
Διαβάστε προσεκτικά και κατανοήστε αυτές τις οδηγίες πριν τη χρήση.
Aleti kullanmadan önce bu kılavuza iyice okuyun ve talimatları anlayın.







**Handling instructions
Bedienungsanleitung
Mode d'emploi
Istruzioni per l'uso
Gebruiksaanwijzing
Instrucciones de manejo
Instruções de uso
Οδηγίες χειρισμού
Kullanım talimatları**





	English	Deutsch	Français	Italiano
①	Fold	Falz	Pli	Piega
②	Paper holder	Papierhalter	Support du papier	Fermacarta
③	Bend	Knick	Coude	Curva
④	Dust bag clamp	Staubsaackklemme	Élément de serrage du sac à poussière	Morsetto per sacca di raccolta della polvere
⑤	Dust gate	Staubausgang	Volet à poussière	Uscita polvere
⑥	Dust bag	Staubsaack	Sac à poussière	Sacca di raccolta della polvere
⑦	Punch plate	Stanzplatte	Plaque de poinçonnage	Punzone
⑧	Guide	Führung	Guide	Guida

	Nerderlands	Español	Português	Ελληνικά
①	Vouw	Pliego	Dobra	Διπλώστε
②	Papierhouder	Sujección de papel	Suporte de papel	Εξάρτημα συγκράτησης χαρτιού
③	Buiging	Curva	Dobrar	Λυγίστε
④	Stofzakklem	Abrazadera de bolsa de polvo	Grampo do saco do pó	Σφιγκτήρας σάκου σκόνης
⑤	Stofschuif	Boca de salida del serrín	Boca de saída da poeira	Είσοδος σκόνης
⑥	Stofzak	Bolsa selector de polvo	Bolsa coletora de poeira	Σάκος σκόνης
⑦	Doorslagplaat	Placa perforadora	Placa perfuradora	Πλάκα διατρύπησης
⑧	Geleider	Guía	Guia	Οδηγός

	Türkçe
①	Kıvrım
②	Kağıt tutucu
③	Bük
④	Toz torbası kelepçesi
⑤	Toz kapağı
⑥	Toz torbası
⑦	Taban levhası
⑧	Kılavuz

	<p>Symbols ⚠ WARNING The following show symbols used for the machine. Be sure that you understand their meaning before use.</p>	<p>Symbole ⚠ WARNUNG Die folgenden Symbole werden für diese Maschine verwendet. Achten Sie darauf, diese vor der Verwendung zu verstehen.</p>	<p>Symboles ⚠ AVERTISSEMENT Les symboles suivants sont utilisés pour l'outil. Bien se familiariser avec leur signification avant d'utiliser l'outil.</p>
	<p>To reduce the risk of injury, user must read instruction manual. Failure to follow the warnings and instructions may result in electric shock, fire and/or serious injury.</p>	<p>Der Anwender muss die Bedienungsanleitung lesen, um das Risiko einer Verletzung zu verringern. Wenn die Warnungen und Anweisungen nicht befolgt werden, kann es zu Stromschlag, Brand und/oder ernsthaften Verletzungen kommen.</p>	<p>Pour réduire les risques de blessures, l'utilisateur doit lire le manuel d'utilisation. Tout manquement à observer ces avertissements et instructions peut engendrer des chocs électriques, des incendies et/ou des blessures graves.</p>
	<p>Only for EU countries Do not dispose of electric tools together with household waste material! In observance of European Directive 2002/96/EC on waste electrical and electronic equipment and its implementation in accordance with national law, electric tools that have reached the end of their life must be collected separately and returned to an environmentally compatible recycling facility.</p>	<p>Nur für EU-Länder Werfen Sie Elektrowerkzeuge nicht in den Hausmüll! Gemäss Europäischer Richtlinie 2002/96/EG über Elektro- und Elektronik-Altgeräte und Umsetzung in nationales Recht müssen verbrauchte Elektrowerkzeuge getrennt gesammelt und einer umweltgerechten Wiederverwertung zugeführt werden.</p>	<p>Pour les pays européens uniquement Ne pas jeter les appareils électriques dans les ordures ménagères! Conformément à la directive européenne 2002/96/EG relative aux déchets d'équipements électriques ou électroniques (DEEE), et à sa transposition dans la législation nationale, les appareils électriques doivent être collectés à part et être soumis à un recyclage respectueux de l'environnement.</p>
	<p>Simboli ⚠ AVVERTENZA Di seguito mostriamo i simboli usati per la macchina. Assicurarsi di comprenderne il significato prima dell'uso.</p>	<p>Symbolen ⚠ WAARSCHUWING Hieronder staan symbolen afgebeeld die van toepassing zijn op deze machine. U moet de betekenis hiervan begrijpen voor gebruik.</p>	<p> Símbolos ⚠ ADVERTENCIA A continuación se muestran los símbolos usados para la máquina. Asegúrese de comprender su significado antes del uso.</p>
	<p>Per ridurre il rischio di lesioni, l'utente deve leggere il manuale delle istruzioni. La mancata osservanza degli avvertimenti e delle istruzioni potrebbe essere causa di scosse elettriche, incendi e/o gravi lesioni.</p>	<p>Om het risico op verwondingen te verminderen, moet de gebruiker de instructiehandleiding lezen. Nalating om de waarschuwingen en instructies op te volgen kan in een elektrische schok, brand en/of ernstig letsel resulteren.</p>	<p>Para reducir el riesgo de lesiones, el usuario deberá leer el manual de instrucciones. Si no se siguen las advertencias e instrucciones, podría producirse una descarga eléctrica, un incendio y/o daños graves.</p>
	<p>Solo per Paesi UE Non gettare le apparecchiature elettriche tra i rifiuti domestici. Secondo la Direttiva Europea 2002/96/CE sui rifiuti di apparecchiature elettriche ed elettroniche e la sua attuazione in conformità alle norme nazionali, le apparecchiature elettriche esauste devono essere raccolte separatamente, al fine di essere reimpiagate in modo eco-compatibile.</p>	<p>Alleen voor EU-landen Geef elektrisch gereedschap niet met het huisvuil mee! Volgens de Europese richtlijn 2002/96/EG inzake oude elektrische en elektronische apparaten en de toepassing daarvan binnen de nationale wetgeving, dient gebruikt elektrisch gereedschap gescheiden te worden ingezameld en te worden afgevoerd naar een recycle bedrijf dat voldoet aan de geldende milieu-eisen.</p>	<p>Sólo para países de la Unión Europea ¡No deseche los aparatos eléctricos junto con los residuos domésticos! De conformidad con la Directiva Europea 2002/96/CE sobre residuos de aparatos eléctricos y electrónicos y su aplicación de acuerdo con la legislación nacional, las herramientas eléctricas cuya vida útil haya llegado a su fin se deberán recoger por separado y trasladar a una planta de reciclaje que cumpla con las exigencias ecológicas.</p>

	<p>Σύμβολο ⚠ AVISO A seguir aparecem os símbolos utilizados pela máquina. Assimile bem seus significados antes do uso.</p>	<p>Συμβολα ⚠ ΠΡΟΕΙΔΟΠΟΙΗΣΗ Τα παρακάτω δείχνουν τα σύμβολα που χρησιμοποιούνται στο μηχάνημα. Βεβαιωθείτε ότι κατανοείτε τη σημασία τους πριν τη χρήση.</p>	<p>Semboller ⚠ UYARI Aşağıda, bu makine için kullanılan simgeler gösterilmiştir. Makineyi kullanmadan önce bu simgelerin ne anlama geldiğini bildiğinizden emin olun.</p>
	<p>Para reduzir o risco de lesão, o utilizador deve ler o manual de instruções. Se não seguir todas as instruções e os avisos, pode provocar um choque eléctrico, incêndio e/ou ferimentos graves.</p>	<p>Για τον περιορισμό του κινδύνου τραυματισμού, ο χρήστης πρέπει να διαβάσει το εγχειρίδιο οδηγιών χρήσης. Η μη τήρηση των προειδοποιήσεων και οδηγιών μπορεί να προκαλέσει ηλεκτροπληξία, πυρκαγιά και/ή σοβαρό τραυματισμό.</p>	<p>Kullanıcı yaralanma riskini azaltmak için kullanım kılavuzunu okumalıdır. Uyarılara ve talimatlara uyulmaması elektrik çarpmasına, yangına ve/veya ciddi yaralanmaya neden olabilir.</p>
	<p>Apenas para países da UE Não deite ferramentas eléctricas no lixo doméstico! De acordo com a directiva europeia 2002/96/CE sobre ferramentas eléctricas e electrónicas usadas e a transposição para as leis nacionais, as ferramentas eléctricas usadas devem ser recolhidas em separado e encaminhadas a uma instalação de reciclagem dos materiais ecológica.</p>	<p>Mόνο για τις χώρες της ΕΕ Μην πετάτε τα ηλεκτρικά εργαλεία στον κάδο οικιακών απορριμμάτων! Σύμφωνα με την Ευρωπαϊκή Οδηγία 2002/96/ΕΚ περί ηλεκτρικών και ηλεκτρονικών συσκευών και την εφαρμογή της στην εθνική νομοθεσία, τα ηλεκτρικά εργαλεία που έχουν φτάσει στο τέλος της ζωής τους πρέπει να συλλέγονται ξεχωριστά και να επιστρέφονται για ανακύκλωση με τρόπο φιλικό προς το περιβάλλον.</p>	<p>Sadece AB ülkeleri için Elektrikli aletleri evdeki çöp kutusuna atmayın! Kullanım ömrünü dolduran elektrikli aletler, atık elektrikli ve elektronik cihazlarla ilgili 2002/96/EC Avrupa Direktifine ve bu Direktifi n ulusal kanunlar çerçevesinde uygulanma şekline göre ayrı olarak toplanmalı ve çevre şartlarına uygun bir geri dönüşüm tesisine gönderilmelidir.</p>

GENERAL POWER TOOL SAFETY WARNINGS**⚠ WARNING**

Read all safety warnings and all instructions.

Failure to follow the warnings and instructions may result in electric shock, fire and/or serious injury.

Save all warnings and instructions for future reference.

The term "power tool" in the warnings refers to your mains-operated (corded) power tool or battery-operated (cordless) power tool.

1) Work area safety

- a) **Keep work area clean and well lit.**
Cluttered or dark areas invite accidents.
- b) **Do not operate power tools in explosive atmospheres, such as in the presence of flammable liquids, gases or dust.**
Power tools create sparks which may ignite the dust or fumes.
- c) **Keep children and bystanders away while operating a power tool.**
Distractions can cause you to lose control.

2) Electrical safety

- a) **Power tool plugs must match the outlet. Never modify the plug in any way. Do not use any adapter plugs with earthed (grounded) power tools.**
Unmodified plugs and matching outlets will reduce risk of electric shock.
- b) **Avoid body contact with earthed or grounded surfaces, such as pipes, radiators, ranges and refrigerators.**
There is an increased risk of electric shock if your body is earthed or grounded.
- c) **Do not expose power tools to rain or wet conditions.**
Water entering a power tool will increase the risk of electric shock.
- d) **Do not abuse the cord. Never use the cord for carrying, pulling or unplugging the power tool. Keep cord away from heat, oil, sharp edges or moving parts.**
Damaged or entangled cords increase the risk of electric shock.
- e) **When operating a power tool outdoors, use an extension cord suitable for outdoor use.**
Use of a cord suitable for outdoor use reduces the risk of electric shock.
- f) **If operating a power tool in a damp location is unavoidable, use a residual current device (RCD) protected supply.**
Use of an RCD reduces the risk of electric shock.

3) Personal safety

- a) **Stay alert, watch what you are doing and use common sense when operating a power tool. Do not use a power tool while you are tired or under the influence of drugs, alcohol or medication.**
A moment of inattention while operating power tools may result in serious personal injury.
- b) **Use personal protective equipment. Always wear eye protection.**
Protective equipment such as dust mask, non-skid safety shoes, hard hat, or hearing protection used for appropriate conditions will reduce personal injuries.
- c) **Prevent unintentional starting. Ensure the switch is in the off position before connecting to power source and/or battery pack, picking up or carrying the tool.**

Carrying power tools with your finger on the switch or energising power tools that have the switch on invites accidents.

- d) **Remove any adjusting key or wrench before turning the power tool on.**
A wrench or a key left attached to a rotating part of the power tool may result in personal injury.
 - e) **Do not overreach. Keep proper footing and balance at all times.**
This enables better control of the power tool in unexpected situations.
 - f) **Dress properly. Do not wear loose clothing or jewellery. Keep your hair, clothing and gloves away from moving parts.**
Loose clothes, jewellery or long hair can be caught in moving parts.
 - g) **If devices are provided for the connection of dust extraction and collection facilities, ensure these are connected and properly used.**
Use of dust collection can reduce dust-related hazards.
- 4) Power tool use and care**
- a) **Do not force the power tool. Use the correct power tool for your application.**
The correct power tool will do the job better and safer at the rate for which it was designed.
 - b) **Do not use the power tool if the switch does not turn it on and off.**
Any power tool that cannot be controlled with the switch is dangerous and must be repaired.
 - c) **Disconnect the plug from the power source and/or the battery pack from the power tool before making any adjustments, changing accessories, or storing power tools.**
Such preventive safety measures reduce the risk of starting the power tool accidentally.
 - d) **Store idle power tools out of the reach of children and do not allow persons unfamiliar with the power tool or these instructions to operate the power tool.**
Power tools are dangerous in the hands of untrained users.
 - e) **Maintain power tools. Check for misalignment or binding of moving parts, breakage of parts and any other condition that may affect the power tool's operation.**
If damaged, have the power tool repaired before use.
Many accidents are caused by poorly maintained power tools.
 - f) **Keep cutting tools sharp and clean.**
Properly maintained cutting tools with sharp cutting edges are less likely to bind and are easier to control.
 - g) **Use the power tool, accessories and tool bits etc. in accordance with these instructions, taking into account the working conditions and the work to be performed.**
Use of the power tool for operations different from those intended could result in a hazardous situation.

5) Service

- a) **Have your power tool serviced by a qualified repair person using only identical replacement parts.**
This will ensure that the safety of the power tool is maintained.

PRECAUTION

Keep children and infirm persons away.

When not in use, tools should be stored out of reach of children and infirm persons.

SPECIFICATIONS

Voltage (by areas)*	(110V, 115V, 120V, 127V, 220V, 230V, 240V) ~
Power Input	180W*
No-load speed	10000 min ⁻¹
Sanding pad size	92 mm × 184 mm
Sanding paper size	93 mm × 228 mm
Weight (without cord)	1.3 kg

* Be sure to check the nameplate on product as it is subject to change by areas.

STANDARD ACCESSORIES

- Sanding paper.....6
(Grain: #60, #100, #150.....2 each)
 - Dust bag.....1
 - Punch plate.....1
- Standard accessories are subject to change without notice.

OPTIONAL ACCESSORIES (sold separately)

1. **Sanding paper**
Grain: #60, #100, #150 (3 types)
 2. **Sanding paper (Magic type)**
Grain: #60, #100, #150 (3 types)
 3. **Pad (Magic type)**
- Optional accessories are subject to change without notice.

APPLICATIONS

- Finish polishing of woodwork surfaces
- Sanding surfaces of woodwork or sheet metal prior to painting, etc.

PRIOR TO OPERATION

1. **Power source**
Ensure that the power source to be utilized conforms to the power requirements specified on the product nameplate.
2. **Power switch**
Ensure that the power switch is in the OFF position. If the plug is connected to a receptacle while the power switch is in the ON position, the power tool will start operating immediately, which could cause a serious accident.
3. **Extension cord**
When the work area is removed from the power source, use an extension cord of sufficient thickness and rated capacity. The extension cord should be kept as short as practicable.
4. **Installing the sanding paper**
Align the hole in the base with the sanding paper holes. Place the sanding paper over the base. Next line up both ends of the sanding paper with the base width-wise, and fold the sanding paper (Fig. 1).
Align the fold with the edge of the base, and grip one side with the paper holder (Fig. 2).
Now grip the opposite side of the sanding paper with the paper holder.

CAUTION

The sanding paper must be precisely installed on the pad, ensuring that there is ample tension (leaving no slack). Loosely installed sanding paper could result in unevenly sanded surfaces and/or damage to the sanding paper itself.

5. Attaching and Removing the Dust Bag

- (1) Attaching the Dust Bag
As shown in Fig. 3, hold the dust gate and push it in the direction of Arrow A to attach it to the dust outlet.
- (2) Removing the Dust Bag
As shown in Fig. 3, hold the dust gate and pull it in the direction of Arrow B to remove it from the dust outlet.

CAUTION

Prior to the sanding operation, make sure the material of surface you are going to sand.

If the surface under sanding operation is expected to generate harmful / toxic dusts such as lead painted surface, make sure the dust bag or appropriate dust extraction system is connected with dust outlet tightly. Wear the dust mask additionally, if available. Do not inhale or touch the harmful / toxic dusts generated in sanding operation, the dust can endanger the health of yourself and bystanders.

PRACTICAL OPERATING PROCEDURES

CAUTION

Never apply water or grinding fluid when sanding. This could result in electrical shock.

1. Switching the sander ON and OFF

The power can be turned on by setting the lever to ON (1) and turned off by setting the lever to OFF (0).

CAUTION

Never turn the power switch ON when the sander is contacting the surface to be sanded. This is necessary to preclude damage to the material. The same applies when switching the power OFF.

2. How to hold the orbital sander

While gripping the housing, lightly press the sander against the surface to be sanded so that the sanding paper uniformly contacts the surface, as shown in Fig. 4. DO NOT apply excessive pressure to the sander while sanding. Excessive-pressure may cause overload of the motor, reduced service life of the sanding paper, and lowered sanding or polishing efficiency.

3. How to move the orbital sander

For optimum operating efficiency, alternately move the sander forward and backward at a constant speed and balance.

4. After installing new sanding paper

Movement of the sander may tend to become unsteady after new sanding paper has been installed, because of the new, coarse grain of the paper. This can be avoided by slightly tilting the sander forward or backward during sanding or polishing. Sander movement will become steady as the sanding paper surface becomes properly abraded.

5. **Using commercial sanding paper having no holes**
Obtain 230 × 280 mm sanding paper and cut into 3 equal longitudinal portions (Fig. 5).

Before using, make holes in the sanding paper to boost its dust absorbing efficiency.

To make the holes (perforations), align the sanding paper with the guide in the accessory punch plate and apply pressure (Fig. 6).

MOUNTING THE OPTIONAL ACCESSORIES

1. Attaching a sponge pad (magic type) or a stick-on pad

Loosen the M4 x 10 screws (4) and remove the attached pad. Next, attach a sponge pad (magic type) or a stick-on pad.

CAUTION

Replace the pad only. Use the other parts without removing them.

2. Attaching magic type sanding paper or stick-on type sanding paper

Match the sanding paper's hole with the pad's hole and strongly push the sanding paper with the palm of your hand to fasten it securely in place.

MAINTENANCE AND INSPECTION

1. Emptying and cleaning the Dust Bag

If the dust bag contains too much saw dust, dust collection will be affected. Empty the dust bag when it gets full.

Remove the dust bag, open the fastener, and dispose of the contents.

2. Inspecting the sanding paper

Since use of worn-out sanding paper will degrade efficiency and cause possible damage to the pad, replace the sanding paper as soon as a excessive abrasion is noted.

3. Inspecting the mounting screws

Regularly inspect all mounting screws and ensure that they are properly tightened. Should any of the screws be loose, retighten them immediately. Failure to do so could result in serious hazard.

4. Maintenance of the motor

The motor unit winding is the very "heart" of the power tool.

Exercise due care to ensure the winding does not become damaged and/or wet with oil or water.

5. Replacing supply cord

If the supply cord of Tool is damaged, the Tool must be returned to HiKOKI Authorized Service Center for the cord to be replaced.

6. Servicing

Consult an authorized Service Agent in the event of power tool failure.

7. Service parts list

CAUTION

Repair, modification and inspection of HiKOKI Power Tools must be carried out by an HiKOKI Authorized Service Center.

This Parts List will be helpful if presented with the tool to the HiKOKI Authorized Service Center when requesting repair or other maintenance.

In the operation and maintenance of power tools, the safety regulations and standards prescribed in each country must be observed.

MODIFICATIONS

HiKOKI Power Tools are constantly being improved and modified to incorporate the latest technological advancements.

Accordingly, some parts may be changed without prior notice.

GUARANTEE

We guarantee HiKOKI Power Tools in accordance with statutory/country specific regulation. This guarantee does not cover defects or damage due to misuse, abuse, or normal wear and tear. In case of complaint, please send the Power Tool, undismantled, with the GUARANTEE CERTIFICATE found at the end of this Handling instruction, to a HiKOKI Authorized Service Center.

NOTE

Due to HiKOKI's continuing program of research and development, the specifications herein are subject to change without prior notice.

IMPORTANT

Correct connection of the plug

The wires of the main lead are coloured in accordance with the following code:

Blue: — Neutral

Brown: — Live

As the colours of the wires in the main lead of this tool may not correspond with the coloured markings identifying the terminals in your plug proceed as follows:

The wire coloured blue must be connected to the terminal marked with the letter N or coloured black. The wire coloured brown must be connected to the terminal marked with the letter L or coloured red. Neither core must be connected to the earth terminal.

NOTE:

This requirement is provided according to BRITISH STANDARD 2769: 1984.

Therefore, the letter code and colour code may not be applicable to other markets except The United Kingdom.

Information concerning airborne noise and vibration

The measured values were determined according to EN60745 and declared in accordance with ISO 4871.

Measured A-weighted sound power level: 91 dB (A).

Measured A-weighted sound pressure level: 80 dB (A).

Uncertainty K: 3 dB (A).

Wear hearing protection.

Vibration total values (triax vector sum) determined according to EN60745.

Sanding a horizontal steel plate:

Vibration emission value $a_h = 4.0 \text{ m/s}^2$

Uncertainty K = 1.5 m/s^2

The declared vibration total value has been measured in accordance with a standard test method and may be used for comparing one tool with another.

It may also be used in a preliminary assessment of exposure.

WARNING

○ The vibration emission during actual use of the power tool can differ from the declared total value depending in the ways in which the tool is used.

○ Identify safety measures to protect the operator that are based on an estimation of exposure in the actual conditions of use (taking account of all parts of the operating cycle such as the times when the tool is switched off and when it is running idle in addition to the trigger time).

(Übersetzung der Original-Gebrauchsanweisung)

ALLGEMEINE SICHERHEITSHINWEISE FÜR ELEKTROGERÄTE**⚠ WARNUNG**

Lesen Sie sämtliche Sicherheitshinweise und Anweisungen durch.

Wenn die Warnungen und Anweisungen nicht befolgt werden, kann es zu Stromschlag, Brand und/oder ernsthaften Verletzungen kommen.

Bitte bewahren Sie alle Warnhinweise und Anweisungen zum späteren Nachschlagen auf.

Der Begriff „Elektrowerkzeug“ bezieht sich in den Warnhinweisen auf Elektrowerkzeuge mit Netz- (schnurgebunden) oder Akkubetrieb (schnurlos).

1) Sicherheit im Arbeitsbereich

- a) Halten Sie den Arbeitsbereich sauber und gut beleuchtet.

Zugestellte oder dunkle Bereiche ziehen Unfälle förmlich an.

- b) Verwenden Sie keine Elektrowerkzeuge in explosionsfähiger Atmosphäre, z.B. bei Vorhandensein von brennbaren Flüssigkeiten, Gasen oder Staub.

Bei der Arbeit mit Elektrowerkzeugen kann es zu Funkenbildung kommen, wodurch sich Stäube oder Dämpfe entzünden können.

- c) Halten Sie Kinder und Umstehende fern, während Sie ein Elektrowerkzeug bedienen.

Wenn Sie abgelenkt werden, können Sie die Kontrolle über das Werkzeug verlieren.

2) Elektrische Sicherheit

- a) Der Stecker des Elektrowerkzeugs muss zur Steckdose passen.

Nehmen Sie niemals irgendwelche Änderungen am Anschlussstecker vor.

Verwenden Sie bei Elektrowerkzeugen mit Schutzkontakt (geerdet) niemals Adapterstecker.

Stecker im Originalzustand und passende Steckdosen reduzieren das Stromschlagrisiko.

- b) Vermeiden Sie Körperkontakt mit geerdeten Oberflächen wie Rohren, Heizkörpern, Herden und Kühlschränken.

Bei Körperkontakt mit geerdeten Gegenständen besteht ein erhöhtes Stromschlagrisiko.

- c) Setzen Sie Elektrowerkzeuge niemals Regen oder Feuchtigkeit aus.

Wenn Flüssigkeiten in ein Elektrowerkzeug eindringen, erhöht sich das Stromschlagrisiko.

- d) Verwenden Sie das Anschlusskabel nicht missbräuchlich. Tragen Sie das Elektrowerkzeug niemals am Stromkabel, ziehen Sie es nicht damit heran und ziehen Sie den Stecker nicht an der Anschlusschnur aus der Steckdose.

Halten Sie die Anschlusschnur von Hitzequellen, Öl, scharfen Kanten und beweglichen Teilen fern.

Beschädigte oder verdrehte Anschlusschnüre erhöhen das Stromschlagrisiko.

- e) Verwenden Sie, wenn Sie ein Elektrowerkzeug im Freien benutzen, ein für den Außeneinsatz geeignetes Verlängerungskabel.

Ein für den Außeneinsatz geeignetes Kabel vermindert das Stromschlagrisiko.

- f) Falls sich der Betrieb des Elektrowerkzeugs in feuchter Umgebung nicht vermeiden lässt, verwenden Sie eine Stromversorgung mit Fehlerstromschutzeinrichtung (Residual Current Device, RCD).

Durch den Einsatz einer Fehlerstromschutzeinrichtung wird das Risiko eines elektrischen Schlages reduziert.

3) Persönliche Sicherheit

- a) Bleiben Sie wachsam, achten Sie auf das, was Sie tun, und setzen Sie Ihren Verstand ein, wenn Sie mit Elektrowerkzeugen arbeiten.

Benutzen Sie keine Elektrowerkzeuge, wenn Sie müde sind oder unter Einfluss von Drogen, Alkohol oder Medikamenten stehen.

Bei der Arbeit mit Elektrowerkzeugen können bereits kurze Phasen der Unaufmerksamkeit zu schweren Verletzungen führen.

- b) Benutzen Sie eine persönliche Schutzausrüstung. Tragen Sie immer einen Augenschutz.

Schutzausrüstung wie Staubmaske, rutschsichere Sicherheitsschuhe, Schutzhelm und Gehörschutz senken das Verletzungsrisiko bei angemessenem Einsatz.

- c) Vermeiden Sie unbeabsichtigtes Einschalten. Achten Sie darauf, dass sich der Schalter in der Aus- (Off-) Position befindet, ehe Sie das Gerät mit der Stromversorgung und/oder Batteriestromversorgung verbinden, es aufheben oder herumtragen.

Das Herumtragen von Elektrowerkzeugen mit dem Finger am Schalter oder das Herstellen der Stromversorgung bei betätigtem Schalter zieht Unfälle regelrecht an.

- d) Entfernen Sie sämtliche Einstellwerkzeuge (Einstellschlüssel), ehe Sie das Elektrowerkzeug einschalten.

Ein an einem beweglichen Teil des Elektrowerkzeugs angebrachter Schlüssel kann zu Verletzungen führen.

- e) Überstrecken Sie sich nicht. Achten Sie jederzeit darauf, sicher zu stehen und das Gleichgewicht zu bewahren.

Dadurch haben Sie das Elektrowerkzeug in unerwarteten Situationen besser im Griff.

- f) Tragen Sie entsprechende Kleidung. Tragen Sie keine lose Kleidung oder Schmuck. Halten Sie Haar, Kleidung und Handschuhe von beweglichen Teilen fern.

Lose Kleidung, Schmuck oder langes Haar kann von beweglichen Teilen erfasst werden.

- g) Wenn Geräte zum Anschluss von Staubabsaug- und -sammelvorrichtungen vorhanden sind, sorgen Sie dafür, dass diese richtig angeschlossen und eingesetzt werden.

Durch Entfernen des Staubes können staubbezogene Gefahren vermindert werden.

4) Einsatz und Pflege von Elektrowerkzeugen

- a) Überbeanspruchen Sie Elektrowerkzeuge nicht. Benutzen Sie das richtige Elektrowerkzeug für Ihren Einsatzzweck.

Das richtige Elektrowerkzeug erledigt seine Arbeit bei bestimmungsgemäßem Einsatz besser und sicherer.

b) **Benutzen Sie das Elektrowerkzeug nicht, wenn es sich nicht am Schalter ein- und ausschalten lässt.**

Jedes Elektrowerkzeug, das nicht mit dem Schalter betätigt werden kann, stellt eine Gefahr dar und muss repariert werden.

c) **Ziehen Sie den Stecker der Stromversorgung und/oder Batteriestromversorgung vom Gerät ab, ehe Sie Einstellarbeiten vornehmen, Zubehörteile tauschen oder das Elektrowerkzeug verstauen.**

Solche präventiven Sicherheitsmaßnahmen verhindern den unbeabsichtigten Anlauf des Elektrowerkzeugs und die damit verbundenen Gefahren.

d) **Legern Sie nicht benutzte Elektrowerkzeuge außerhalb der Reichweite von Kindern, lassen Sie nicht zu, dass Personen das Elektrowerkzeug bedienen, die nicht mit dem Elektrowerkzeug oder diesen Anweisungen vertraut sind.**

Elektrowerkzeuge in ungeschulten Händen sind gefährlich.

e) **Halten Sie Elektrowerkzeuge instand. Prüfen Sie sie auf Fehlausrichtungen, Leichtgängigkeit beweglicher Teile, Beschädigungen von Teilen und auf jegliche andere Zustände, die sich auf den Betrieb des Elektrowerkzeugs auswirken können.**

Lassen Sie das Elektrowerkzeug bei Beschädigungen reparieren, ehe Sie es benutzen.

Viele Unfälle mit Elektrowerkzeugen sind auf schlechte Wartung zurückzuführen.

f) **Halten Sie Schneidwerkzeuge scharf und sauber.**

Richtig gewartete Schneidwerkzeuge mit scharfen Schneiden bleiben weniger häufig hängen und sind einfacher zu beherrschen.

g) **Benutzen Sie Elektrowerkzeuge, Zubehör, Werkzeugspitzen und Ähnliches in Übereinstimmung mit diesen Anweisungen, beachten Sie dabei die jeweiligen Arbeitsbedingungen und die Art der auszuführenden Arbeiten.**

Der Gebrauch des Elektrowerkzeugs für andere als die vorgesehenen Anwendungen kann zu gefährlichen Situationen führen.

5) **Service**

a) **Lassen Sie Elektrowerkzeuge durch qualifizierte Fachkräfte und nur unter Einsatz passender Originalersatzteile warten.**

Dies sorgt dafür, dass die Sicherheit des Elektrowerkzeugs nicht beeinträchtigt wird.

VORSICHT

Von Kindern und gebrechlichen Personen fernhalten. Werkzeuge sollten bei Nichtgebrauch außerhalb der Reichweite von Kindern und gebrechlichen Personen aufbewahrt werden.

TECHNISCHE DATEN

Spannung (je nach Gebiet)*	(110V, 115V, 120V, 127V, 220V, 230V, 240V) ~
Leistungsaufnahme	180W*
Leerlaufdrehzahl	10000 min ⁻¹
Größe des Schleifschuhs	92 mm x 184 mm
Größe des Schleifpapiers	93 mm x 228 mm
Gewicht (Ohne Kabel)	1,3 kg

* Vergessen sie nicht, die Produktangaben auf dem Typenschild zu überprüfen, da sich diese je nach Verkaufsgebiet ändern.

STANDARDZUBEHÖR

- Schleifpapier6
(Körnung: #60, #100, #150 jeweils 2)
 - Staubsack1
 - Stanzplatte1
- Das Standardzubehör kann ohne vorherige Bekanntmachung jederzeit geändert werden.

SONDERZUBEHÖR (separat zu beziehen)

1. **Schleifpapier**
Körnung: #60, #100, #150 (3 Sorten)
2. **Schleifpapier (Typ Magic)**
Körnung: #60, #100, #150 (3 Sorten)
3. **Schuh (Typ Magic)**
Das Sonderzubehör kann ohne vorherige Bekanntmachung jederzeit geändert werden.

ANWENDUNGSGEBIETE

- Fertigpolieren von Holzoberflächen
- Schleifen von Holz oder Blech vor dem Anstreichen usw.

VOR INBETRIEBNAHME

1. **Netzspannung**
Prüfen, daß die zu verwendende Netzspannung der Angabe auf dem Typenschild entspricht.
2. **Netzschalter**
Prüfen, daß der Netzschalter auf "AUS" steht. Wenn der Stecker an das Netz angeschlossen wird, während der Schalter auf "EIN" steht, beginnt das Werkzeug sofort zu laufen, was gefährlich ist.
3. **Verlängerungskabel**
Wenn der Arbeitsbereich nicht in der Nähe des Netzanschlusses liegt, ist ein Verlängerungskabel ausreichenden Querschnitts und ausreichender Nennleistung zu verwenden. Das Verlängerungskabel sollte so kurz wie möglich gehalten werden.

4. Anbringen des Schleifpapiers

Bringen Sie die Bohrungen in der Basis mit den Löchern im Schleifpapier in Deckung. Legen Sie das Schleifpapier über die Basis. Richten Sie beide Enden des Schleifpapiers entlang der Basiskanten aus und biegen Sie die Enden um (**Abb. 1**).

Richten Sie den Knick an der Basiskante aus und erfassen Sie mit dem Papierhalter die eine Seite des Schleifpapiers (**Abb. 2**).

Erfassen Sie mit dem Papierhalter nun die gegenüberliegende Seite des Schleifpapiers.

ACHTUNG

Das Schleifpapier muß präzise und mit ausreichender Spannung (nicht zu lose) an den Schleifschuh angebracht werden. Lose angebrachtes Schleifpapier kann zu ungleichmäßig geschliffenen Flächen und/oder Beschädigungen des Schleifpapiers führen.

5. Anbringen und Abnehmen des Staubsaugers**(1) Anbringen des Staubsaugers**

Wie in **Abb. 3** gezeigt, die Staubverbindung halten und in Richtung des Pfeils A drücken, um sie am Staubauslaß anzubringen.

(2) Abnehmen des Staubsaugers

Wie in **Abb. 3** gezeigt, die Staubverbindung halten und in Richtung des Pfeils B drücken, um sie vom Staubauslaß abzunehmen.

ACHTUNG

Achten Sie vor dem Schleifen auf die Oberfläche des zu schleifenden Materials.

Falls die Oberfläche beim Schleifen voraussichtlich schädliche oder gar giftige Stäube freisetzen könnte – wie bei mit Bleifarben behandelten Oberflächen – achten Sie darauf, dass der Staubfangbehälter oder ein geeignetes Staubabsaugsystem dicht mit dem Staubauslass verbunden ist.

Tragen Sie zusätzlich eine Staubschutzmaske, wenn vorhanden.

Atmen Sie keine beim Schleifen entstehenden schädlichen oder gar giftigen Stäube ein – der Staub kann Ihre oder die Gesundheit von Zuschauern gefährden.

PRAKTISCHE ARBEITSWEISE**ACHTUNG**

Niemals Wasser oder Schleifflüssigkeit beim Schleifen verwenden. Das kann zu elektrischen Schlägen führen.

1. Ein- und Ausschalten des Schleifers

Durch Einstellung des Hebels auf ON (1) wird der Schleifer ein- und durch Einstellung auf OFF (0) ausgeschaltet.

ACHTUNG

Den Schleifer niemals einschalten, wenn die Maschine die zu schleifende Fläche berührt, um Beschädigungen des Werkstücks zu verhindern. Das gleiche gilt beim Ausschalten.

2. Halten des Schwingschleifers

Das Gehäuse halten und den Schleifer leicht gegen die zu schleifende Fläche drücken, so daß das Schleifpapier einen gleichmäßigen Kontakt hat, siehe **Abb. 4**. Beim Schleifen keine übermäßigen Druck auf den Schwingschleifer ausüben, weil dadurch der Motor überlastet, die Nutzungsdauer des Schleifpapiers verkürzt und die Schleif- oder Polierleistung vermindert wird.

3. Bewegen des Schwingschleifers

Zur Erzielung einer optimalen Arbeitsleistung den Schwingschleifer mit konstanter Geschwindigkeit und mit gleichbleibendem Druck abwechselnd vor und zurück bewegen.

4. Nach Einsetzen von neuem Schleifpapier

Nach Einsetzen von neuem Schleifpapier kann der Schwingschleifer wegen des anfänglich gröberen Korns des Papiers zu ungleichmäßiger Bewegung tendieren. Dies läßt sich vermeiden, wenn der Schleifer beim Schleifen oder Polieren leicht nach vorne oder hinten geneigt wird. Die Bewegung des Schwingschleifers wird stetig, wenn das Schleifpapier etwas abgeschliffen ist.

5. Verwendung von kommerziellem Schleifpapier ohne Löcher

Beschaffen Sie 230 × 280 mm-Schleifpapier und schneiden Sie es in drei gleichgroße, längliche Stücke (**Abb. 5**).

Bohren Sie vor der Verwendung Löcher in das Schleifpapier, damit Staub besser aufgenommen wird. Zum Stanzen der Löcher (Perforationen) richten Sie das Schleifpapier an der Führung der Zubehör-Stanzplatte aus und üben Druck aus (**Abb. 6**).

ANBRINGEN VON SONDERZUBEHÖRTEILEN**1. Einen Hafts Schuh (Typ Magic) oder einen Schuh mit Klebschicht anbringen**

Die M4 × 10 Schrauben (4) lösen, und den vorhandenen Schuh abnehmen. Danach einen Hafts Schuh (Typ Magic) oder einen Schuh mit Klebschicht anbringen.

ACHTUNG

Nur den Schuh austauschen. Die anderen Teile so verwenden, wie vorhanden.

2. Anbringen von Schleifpapier des Typs Magic oder Schleifpapier mit Klebschicht

Das Loch im Schleifpapier mit dem Loch im Schuh anpassen, und das Schleifpapier mit der Handfläche zum Befestigen fest andrücken.

WARTUNG UND INSPEKTION**1. Leeren und Reinigen des Staubsocks**

Die Aufnahmefähigkeit verringert sich, wenn der Staubbeutel bereits zu viel Staub enthält. Der Staubbeutel soll geleert werden noch bevor dieser ganz voll ist. Den Staubbeutel abnehmen, die Halterung öffnen und den Inhalt ausleeren.

2. Inspektion des Schleifpapiers

Die Weiterverwendung von abgenutztem Schleifpapier führt zu verminderter Leistung und kann eine Beschädigung des Schleifschuhs verursachen. Daher sollte das Schleifpapier erneuert werden, sobald übermäßiger Abrieb festgestellt wird.

3. Inspektion der Befestigungsschrauben

Alle Befestigungsschrauben werden regelmäßig inspiziert und geprüft, ob sie gut angezogen sind. Wenn sich eine der Schrauben lockert, muß sie sofort wieder angezogen werden. Geschieht das nicht, kann das zu erheblichen Gefahren führen.

4. Wartung des Motors:

Die Motorwicklung ist das "Herz" des Elektrowerkzeugs. Daher ist besonders sorgfältig darauf zu achten, daß die Wicklung nicht beschädigt wird und/oder mit Öl oder Wasser in Berührung kommt.

5. Auswechseln des Netzkabels

Wenn das Netzkabel des Werkzeugs beschädigt wird, muss das Werkzeug zum Auswechseln des Netzkabels an ein von Autorisiertes HiKOKI-Wartungszentrum zurückgegeben werden.

6. Instandhaltung

Im Falle eines Versagens eine autorisierte Wartungswerkstatt zu Rate ziehen.

7. Liste der Wartungsteile

ACHTUNG

Reparatur, Modifikation und Inspektion von HiKOKI-Elektrowerkzeugen müssen durch ein autorisiertes HiKOKI-Kundendienstzentrum durchgeführt werden.

Diese Teileliste ist hilfreich, wenn sie dem autorisierten HiKOKI-Kundendienstzentrum zusammen mit dem Werkzeug für Reparatur oder Wartung ausgehändigt wird.

Bei Betrieb und Wartung von Elektrowerkzeugen müssen die Sicherheitsvorschriften und Normen beachtet werden.

MODIFIKATIONEN

HiKOKI-Elektrowerkzeuge werden fortwährend verbessert und modifiziert, um die neuesten technischen Fortschritte einzubauen.

Dementsprechend ist es möglich, daß einige Teile ohne vorherige Benachrichtigung geändert werden.

GARANTIE

Auf HiKOKI-Elektrowerkzeuge gewähren wir eine Garantie unter Zugrundelegung der jeweils geltenden gesetzlichen und landesspezifischen Bedingungen. Dieses Garantie erstreckt sich nicht auf Gehäusedefekte und nicht auf Schäden, die auf Missbrauch, bestimmungswidrigen Einsatz oder normalen Verschleiß zurückzuführen sind. Im Schadensfall senden Sie das nicht zerlegte Elektrowerkzeug zusammen mit dem GARANTIESCHEIN, den Sie am Ende der Bedienungsanleitung finden, an ein von HiKOKI autorisiertes Servicecenter.

ANMERKUNG

Aufgrund des ständigen Forschungs-und Entwicklungsprogramms von HiKOKI sind Änderungen der hierin gemachten technischen Angaben nicht ausgeschlossen.

Information über Betriebslärm und Vibration

Die gemessenen Werte wurden entsprechend EN60745 bestimmt und in Übereinstimmung mit ISO 4871 ausgewiesen.

Gemessener A-gewichteter Schallpegel: 91 dB (A).

Gemessener A-gewichteter Schalldruck: 80 dB (A).

Messunsicherheit K: 3 dB (A).

Gehörschutz tragen.

Gesamtvibrationswerte (3-Achsen-Vektorsumme), bestimmt gemäß EN60745.

Abschleifen einer horizontalen Stahlplatte:

Vibrationsemissionswert $a_h = 4,0 \text{ m/s}^2$

Messunsicherheit K = 1,5 m/s^2

Der angegebene Vibrationsgesamtwert wurde nach einer Standardtestmethode gemessen und kann zum Vergleich zwischen verschiedenen Werkzeugen dienen.

Er kann auch für eine Vorbeurteilung der Aussetzung verwendet werden.

WARNUNG

- Der Vibrationsemissionswert während der tatsächlichen Benutzung des Elektrowerkzeugs kann von dem deklarierten Gesamtwert abweichen, abhängig davon, wie das Werkzeug verwendet wird.
- Legen Sie Sicherheitsmaßnahmen zum Schutz des Bedieners fest, die auf einer Expositionseinschätzung unter den tatsächlichen Benutzungsbedingungen beruhen (unter Berücksichtigung aller Bereiche des Betriebszyklus, darunter neben der Triggerzeit auch die Zeiten, in denen das Werkzeug ausgeschaltet ist oder im Leerlaufbetrieb läuft).

AVERTISSEMENTS DE SÉCURITÉ GÉNÉRAUX POUR L'OUTIL

⚠ AVERTISSEMENT

Lire tous les avertissements de sécurité et toutes les instructions.

Tout manquement à observer ces avertissements et instructions peut engendrer des décharges électriques, des incendies et/ou des blessures graves.

Conserver tous les avertissements et toutes les instructions pour pouvoir s'y reporter ultérieurement.

Le terme « outil » dans les avertissements fait référence à l'outil électrique alimenté par le secteur (avec cordon d'alimentation) ou à l'outil fonctionnant sur batterie (sans cordon d'alimentation).

1) Sécurité de la zone de travail

- a) **Conserver la zone de travail propre et bien éclairée.**

Les zones en désordre ou sombres sont propices aux accidents.

- b) **Ne pas faire fonctionner les outils électriques en atmosphère explosive, par exemple en présence de liquides inflammables, de gaz ou de poussières.**

Les outils électriques produisent des étincelles qui peuvent enflammer les poussières ou les fumées.

- c) **Maintenir les enfants et les badauds à l'écart pendant l'utilisation de l'outil.**

Les distractions peuvent faire perdre le contrôle de l'outil à l'utilisateur.

2) Sécurité électrique

- a) **Il faut que les fiches de l'outil électrique soient adaptées au socle.**

Ne jamais modifier la fiche de quelque façon que ce soit.

Ne pas utiliser d'adaptateurs avec des outils à branchement de terre.

Des fiches non modifiées et des socles adaptés réduiront le risque de décharge électrique.

- b) **Éviter tout contact du corps avec des surfaces reliées à la terre telles que les tuyaux, les radiateurs, les cuisinières et les réfrigérateurs.**

Il existe un risque accru de décharge électrique si le corps de l'utilisateur est relié à la terre.

- c) **Ne pas exposer les outils à la pluie ou à des conditions humides.**

La pénétration d'eau à l'intérieur d'un outil augmentera le risque de décharge électrique.

- d) **Ne pas maltraiter le cordon. Ne jamais utiliser le cordon pour porter, tirer ou débrancher l'outil.**

Maintenir le cordon à l'écart de la chaleur, du lubrifiant, des arêtes ou des parties en mouvement.

Des cordons endommagés ou emmêlés augmentent le risque de décharge électrique.

- e) **Lorsqu'on utilise un outil à l'extérieur, il faut utiliser un prolongateur adapté à l'utilisation extérieure.**

L'utilisation d'un cordon adapté à l'utilisation extérieure réduit le risque de décharge électrique.

- f) **Si l'usage d'un outil dans un emplacement humide est inévitable, utiliser une alimentation protégée par un dispositif différentiel à courant résiduel (DDR).**

L'usage d'un DDR réduit le risque de décharge électrique.

3) Sécurité des personnes

- a) **Rester vigilant, regarder ce que l'on est en train de faire et faire preuve de bon sens dans son utilisation de l'outil.**

Ne pas utiliser un outil lorsqu'on est fatigué ou sous l'emprise de drogues, d'alcool ou de médicaments.

Un moment d'inattention en cours d'utilisation d'un outil peut entraîner des blessures graves.

- b) **Utiliser un équipement de sécurité. Toujours porter des verres de protection.**

Les équipements de sécurité tels que les masques contre les poussières, les chaussures de sécurité antidérapantes, les casques ou les protections acoustiques utilisés pour les conditions appropriées réduiront les blessures corporelles.

- c) **Éviter tout démarrage intempestif. S'assurer que l'interrupteur est en position d'arrêt avant de brancher l'outil au secteur et/ou à la batterie, de le ramasser ou de le porter.**

Porter un outil en ayant le doigt sur l'interrupteur ou brancher un outil dont l'interrupteur est en position de marche est source d'accidents.

- d) **Retirer toute clé de réglage avant de mettre l'outil en marche.**

Une clé laissée fixée sur une partie tournante de l'outil peut donner lieu à des blessures.

- e) **Ne pas se pencher trop loin. Garder une position et un équilibre adaptés à tout moment.**

Cela permet un meilleur contrôle de l'outil dans des situations inattendues.

- f) **S'habiller de manière adaptée. Ne pas porter de vêtements amples ou de bijoux. Maintenir cheveux, vêtements et gants à l'écart des pièces en mouvement.**

Les pièces en mouvement peuvent happer les vêtements amples, les bijoux ou les cheveux longs.

- g) **Si des dispositifs sont fournis pour le raccordement d'équipements pour l'extraction et la récupération des poussières, s'assurer qu'ils sont connectés et correctement utilisés.**

Utiliser des collecteurs de poussière peut réduire les risques dus aux poussières.

4) Utilisation et entretien de l'outil

- a) **Ne pas forcer l'outil. Utiliser l'outil adapté à l'application souhaitée.**

Si l'on utilise l'outil électrique adéquat en respectant le régime pour lequel il a été conçu, il réalisera un travail de meilleure qualité et plus sûr.

- b) **Ne pas utiliser l'outil si l'interrupteur ne permet pas de passer de l'état de marche à arrêt et vice versa.**

Un outil électrique ne pouvant être contrôlé par l'interrupteur représente un danger et doit être réparé.

- c) **Débrancher la fiche de la source d'alimentation et/ou la batterie de l'outil avant tout réglage, changement d'accessoires ou avant de ranger l'outil.**

Ces mesures de sécurité préventives réduiront les risques de démarrage accidentel de l'outil électrique.

- d) **Après utilisation, ranger l'outil électrique hors de portée des enfants et ne laisser aucune personne l'utiliser si elle n'est pas familiarisée avec les outils électriques ou ces instructions.**

Les outils électriques représentent un danger entre des mains inexpertes.

- e) **Observer la maintenance de l'outil. S'assurer que les pièces en mouvement ne sont pas désalignées ou coincées, qu'aucune pièce n'est cassée ou que l'outil électrique n'a subi aucun dommage pouvant affecter son bon fonctionnement.**
Si l'outil électrique est endommagé, le faire réparer avant de le réutiliser.
De nombreux accidents sont dus à des outils mal entretenus.
- f) **Garder affûtés et propres les outils permettant de couper.**
Un outil bien entretenu aux bords bien affûtés risquera moins de se coincer et sera plus facile à maîtriser.
- g) **Utiliser l'outil, les accessoires et les lames, etc., conformément à ces instructions, en tenant compte des conditions de travail et du travail à réaliser.**
L'utilisation d'un outil électrique à des fins autres que celles prévues est potentiellement dangereuse.

- 5) **Maintenance et entretien**
a) **Confier l'entretien de l'outil à un réparateur qualifié utilisant uniquement des pièces de rechange identiques.**
Cela assurera le maintien de la sécurité de l'outil.

PRÉCAUTIONS

Maintenir les enfants et les personnes infirmes éloignés.

Lorsque les outils ne sont pas utilisés, ils doivent être rangés hors de portée des enfants et des personnes infirmes.

CARACTERISTIQUES

Tension (par zone)*	(110V, 115V, 120V, 127V, 220V, 230V, 240V) ~
Puissance d'entrée	180W*
Vitesse sans charge	10000 min ⁻¹
Dimension du coussinet	92 mm x 184 mm
Dimension du papier du verre	93 mm x 228 mm
Poids (sans fil)	1,3 kg

* Assurez-vous de vérifier la plaque signalétique se trouvant sur le produit, car elle peut changer suivant les régions.

ACCESSOIRES STANDARD

- Papier de verre6
(Grain: #60, #100, #1502 chacun)
 - Sac à poussière.....1
 - Plaque de poçonnage1
- L'accessoire standard est sujet à changement sans préavis.

ACCESSOIRES EN OPTION (vendus séparément)

1. **Papier de verre**
Grain: #60, #100, #150 (3 types)
2. **Papier de verre (type Velcro)**
Grain: #60, #100, #150 (3 types)
3. **Patin (type Velcro)**
Les accessoires en option sont sujets à changement sans préavis.

APPLICATIONS

- Polissage de finition des surfaces en bois.
- Ponçage des surfaces en bois ou métalliques avant peinture, etc.

AVANT LA MISE EN MARCHÉ

1. **Source de puissance**
S'assurer que la source de puissance à utiliser correspond à la puissance indiquée sur la plaque signalétique du produit.

2. Interrupteur de puissance

S'assurer que l'interrupteur de puissance est en position **ARRÊT**. Si la fiche est branchée alors que l'interrupteur est sur **MARCHE**, l'outil démarre immédiatement et peut provoquer un grave accident.

3. Fil de rallonge

Lorsque la zone de travail est éloignée de la source de puissance, utiliser un fil de rallonge d'une épaisseur suffisante et d'une capacité nominale suffisante. Le fil de rallonge doit être aussi court que possible.

4. Mise en place du papier de verre

Aligner le trou de la base avec les trous du papier de verre. Placer le papier de verre au dessus de la base. Ensuite, aligner les deux extrémités du papier de verre avec la base dans le sens de la largeur, et plier le papier de verre (**Fig. 1**).

Aligner le pli avec le bord de la base et saisir une extrémité du support du papier (**Fig. 2**). Ensuite, saisir l'extrémité opposée du papier de verre avec le support de papier.

ATTENTION

Le papier de verre doit être mis en place sur le coussinet avec beaucoup de précision. Vérifier qu'il soit suffisamment tendu (sans partie lâche). Si le papier de verre n'est pas tendu suffisamment, les surfaces pourraient ne pas être poncées uniformément et/ou le papier de verre pourrait être endommagé.

5. Fixation et retrait du sac à poussière

- (1) **Fixation du sac à poussière**
Tenir l'entonnoir de poussière et le pousser dans le sens de la flèche A pour le fixer au déversoir de poussière, comme indiqué par la **Fig. 3**.

(2) Retrait du sac à poussière

Tenir l'entonnoir de poussière et le tirer dans le sens de la flèche B pour le détacher du déversoir de poussière, comme indiqué par la Fig. 3.

ATTENTION

Avant de commencer le ponçage, contrôlez le type de matériau que vous allez poncer.

Si la surface de ponçage risque de dégager des poussières dangereuses / toxiques telle qu'une surface en plomb peinte, assurez-vous que le sac récupérant la poussière ou le système d'extraction de la poussière est bien connecté à la sortie de poussière.

Portez un masque contre la poussière si vous en possédez un.

N'inhaliez pas et ne touchez pas les poussières dangereuses / toxiques générées lors du ponçage car ces poussières pourraient nuire à votre santé ou à celle des personnes se trouvant près de vous.

MARCHE A SUIVRE POUR L'UTILISATION DE LA PONCEUSE**ATTENTION**

Ne jamais utiliser d'eau ou de fluide de ponçage au cours des opérations de ponçage. Cela peut entraîner un risque de commotion électrique.

1. Mise en MARCHE et ARRÊT de la ponceuse

La ponceuse peut être mise sous tension en mettant le levier sur la position MARCHE (ON) (1) et hors tension en mettant ce levier sur ARRÊT (OFF) (0).

ATTENTION

Ne jamais mettre l'interrupteur d'alimentation sur MARCHE (ON) lorsque la ponceuse est en contact avec la surface à poncer. Cette précaution est nécessaire pour éviter d'endommager la pièce à travailler. La même précaution doit être prise lorsque l'interrupteur d'alimentation est mis sur ARRÊT (OFF).

2. Comment tenir la ponceuse orbitale

Tenir l'enveloppe et presser légèrement la ponceuse sur la surface à poncer de manière à ce que le papier de verre soit uniformément en contact avec la surface à poncer, comme indiqué par la Fig. 4. NE JAMAIS appliquer une pression excessive sur la ponceuse au cours du ponçage. Une pression excessive peut provoquer une surcharge du moteur, réduire la durée de vie du papier de verre et diminuer l'efficacité du ponçage ou du polissage.

3. Comment déplacer la ponceuse orbitale

Pour obtenir une efficacité de fonctionnement optimale, déplacer la ponceuse alternativement vers l'avant et vers l'arrière tout en maintenant la vitesse et l'équilibre constants.

4. Après la mise en place d'un papier de verre neuf

Le mouvement de la ponceuse a tendance à devenir irrégulier après la mise en place d'un papier de verre neuf, le grain d'un papier neuf étant toujours grossier. Ce phénomène peut être évité en inclinant légèrement la ponceuse vers l'avant ou vers l'arrière pendant le ponçage ou le polissage. Le mouvement de la ponceuse deviendra de plus en plus régulier au fur et à mesure que la surface du papier de verre s'use.

5. Utilisation d'un papier de verre commercial sans trous

Se procurer du papier de verre de 230 x 280 mm et le couper en 3 portions longitudinales égales (Fig. 5). Avant utilisation, faire des trous dans le papier de verre pour renforcer son efficacité d'absorption de poussière. Pour faire les trous (perforations), aligner le papier de verre avec le guide dans la plaque de poinçonnage et appliquer une pression (Fig. 6).

MONTAGE DES ACCESSOIRES EN OPTION**1. Fixation d'un patin en caoutchouc (type Velcro) ou d'un patin adhésif**

Desserrer les vis M4 x 10 (4) et enlever le patin en place. Ensuite, attacher un patin en caoutchouc (type Velcro) ou un patin adhésif.

ATTENTION

Remplacer uniquement le patin. Ne pas enlever les autres pièces.

2. Attacher un papier de verre de type Velcro ou un papier de verre de type adhésif

Faire correspondre l'orifice sur le papier de verre avec l'orifice sur le patin et appuyer fermement de la paume de la main sur le papier de verre pour le fixer.

ENTRETIEN EN CONTROLE**1. Vidage et nettoyage du sac à poussière**

Si le sac à poussière contient trop de sciure de bois, la récupération de poussière sera difficile. Vider le sac lorsqu'il est plein.

Enlever le sac à poussière, ouvrir la fermeture et jeter le contenu.

2. Vérification du papier de verre

Remplacer le papier de verre dès que des traces d'usure excessive sont visibles, car l'utilisation d'un papier de verre trop usé diminuera l'efficacité des opérations et risque, de plus, d'endommager le coussinet.

3. Contrôle des vis de montage

Vérifier régulièrement les vis de montage et s'assurer qu'elles sont correctement serrées. Resserrer immédiatement toute vis desserrée. Sinon, il y a danger sérieux.

4. Entretien du moteur

Le bobinage de l'ensemble moteur est le "coeur" même de l'outil électro-portatif. Veiller soigneusement à ce que ce bobinage ne soit pas endommagé et/ou mouillé par de l'huile ou de l'eau.

5. Remplacement du cordon d'alimentation

Si le cordon d'alimentation de l'outil est endommagé, rapporter l'outil à un centre de service après-vente HiKOKI agréé pour faire remplacer le cordon.

6. Entretien

Consulter un agent agréé en cas de panne.

7. Liste des pièces de rechange**ATTENTION**

Les réparations, modifications et inspections des outils électriques HiKOKI doivent être confiées à un service après-vente HiKOKI agréé.

Il sera utile de présenter cette liste de pièces au service après-vente HiKOKI agréé lorsqu'on apporte un outil nécessitant des réparations ou tout autre entretien.

Lors de l'utilisation et de l'entretien d'un outil électrique, respecter les règlements et les normes de sécurité en vigueur dans le pays en question.

MODIFICATIONS

Les outils électriques HiKOKI sont constamment améliorés et modifiés afin d'incorporer les tous derniers progrès technologiques.

En conséquence, il est possible que certaines pièces soient modifiées sans avis préalable.

GARANTIE

Nous garantissons que l'ensemble des Outils électriques HiKOKI sont conformes aux réglementations spécifiques statutaires/nationales. Cette garantie ne couvre pas les défauts ni les dommages inhérents à une mauvaise utilisation, une utilisation abusive ou l'usure et les dommages normaux. En cas de réclamation, veuillez envoyer l'Outil électrique, en l'état, accompagné du CERTIFICAT DE GARANTIE qui se trouve à la fin du Mode d'emploi, dans un service d'entretien autorisé.

NOTE

Par suite du programme permanent de recherche et de développement HiKOKI, ces spécifications peuvent faire l'objet de modifications sans avis préalable.

Au sujet du bruit et des vibrations

Les valeurs mesurées ont été déterminées en fonction de la norme EN60745 et déclarées conformes à ISO 4871.

Niveau de puissance sonore pondérée A : 91 dB (A)
Niveau de pression acoustique pondérée A : 80 dB (A)
Incertitude K : 3 dB (A).

Porter des protections anti-bruit.

Valeurs totales des vibrations (somme vectorielle triaxiale) déterminées conformément à EN60745.

Ponçage d'une plaque d'acier horizontale:
Valeur d'émission de vibration $a_h = 4,0 \text{ m/s}^2$
Incertitude K = 1,5 m/s^2

La valeur totale des vibrations a été mesurée par une méthode d'essai standard et peut être utilisée pour comparer un outil à un autre.

Elle peut également être utilisée pour une évaluation préliminaire du niveau d'exposition.

AVERTISSEMENT

- La valeur d'émission de vibrations en fonctionnement de l'outil électrique peut être différente de la valeur totale déclarée, en fonction des utilisations de l'outil.
- Identifier les mesures de protection de l'utilisateur fondées sur une estimation de l'exposition en conditions d'utilisation (tenant compte de tous les aspects du cycle d'utilisation, tels que les moments où l'outil est mis hors tension ou lorsqu'il tourne à vide en plus des temps de déclenchements).

(Traduzione delle istruzioni originali)

AVVERTIMENTI GENERALI DI SICUREZZA SUGLI UTENSILI ELETTRICI

⚠ ATTENZIONE

Leggere tutti gli avvertimenti di sicurezza e tutte le istruzioni.

La mancata osservanza degli avvertimenti e delle istruzioni potrebbe essere causa di scosse elettriche, incendi e/o gravi lesioni.

Salvare tutti gli avvertimenti e le istruzioni per riferimenti futuri.

Il termine "elettroutensili" riportato nelle avvertenze si riferisce agli elettroutensili azionati con alimentazione di rete (via cavi) o a batterie (senza cavi).

1) Sicurezza dell'area operativa

a) Mantenere l'area operativa pulita e ordinata.

Aree operative sporche o disordinate possono favorire gli infortuni.

b) Non utilizzare gli elettroutensili in atmosfere esplosive, ad es. in presenza di liquidi, gas o polveri infiammabili.

Gli elettroutensili generano delle scintille che potrebbero accendere la polvere o i fumi.

c) Tenere lontani bambini e astanti durante l'utilizzo degli elettroutensili.

Qualsiasi distrazione può essere causa di perdita di controllo.

2) Sicurezza elettrica

a) Le spine degli elettroutensili devono essere idonee alle prese disponibili.

Non modificare mai le prese.

Con gli elettroutensili a massa (messi a terra), non utilizzare alcun adattatore.

L'utilizzo di spine intatte e corrispondenti alle prese disponibili ridurrà il rischio di scosse elettriche.

b) Evitare qualsiasi contatto con le superfici a massa o a terra, quali tubi, radiatori, fornelli e frigoriferi.

In caso di messa a terra o massa del corpo, sussiste un maggior rischio di scosse elettriche.

c) Non esporre gli elettroutensili alla pioggia o all'umidità.

La penetrazione di acqua negli elettroutensili aumenterà il rischio di scosse elettriche.

d) Non tirare il cavo. Non utilizzarlo per il trasporto, o per tirare o scollegare l'elettroutensile.

Tenere il cavo lontano da fonti di calore, oli, bordi appuntiti o parti in movimento.

Cavi danneggiati o attorcigliati possono aumentare il rischio di scosse elettriche.

e) Durante l'uso degli elettroutensili all'esterno, utilizzare una prolunga idonea per usi esterni.

L'utilizzo di cavi per esterno riduce il rischio di scosse elettriche.

f) Se è impossibile evitare l'impiego di un elettroutensile in un luogo umido, utilizzare l'alimentazione protetta da un dispositivo a corrente residua (RCD).

L'uso di un RCD riduce il rischio di scosse elettriche.

3) Sicurezza personale

a) Durante l'uso degli elettroutensili, state all'erta, verificate ciò che state eseguendo e adottate sempre il buon senso.

Non utilizzate gli elettroutensili qualora siate stanchi, sotto l'influenza di farmaci, alcol o cure mediche.

Anche un attimo di disattenzione durante l'uso degli elettroutensili potrebbe essere causa di gravi lesioni personali.

b) Indossate l'attrezzatura di protezione personale. Indossate sempre le protezioni oculari.

L'attrezzatura protettiva, quali maschera facciale, calzature antiscivolo, caschi o protezioni oculari ridurrà il rischio di lesioni personali.

c) Impedite le accensioni involontarie. Prima del collegamento a una sorgente di alimentazione e/o pacco batteria e prima di raccogliere o trasportare l'utensile, verificate che l'interruttore sia posizionato su OFF.

Il trasporto degli utensili elettrici tenendo le proprie dita sull'interruttore o l'attivazione elettrica degli utensili che hanno l'interruttore acceso, favorisce gli incidenti.

d) Prima di attivare l'elettroutensile, rimuovete qualsiasi chiave di regolazione.

Lasciando la chiave in un componente in rotazione dell'elettroutensile, sussiste il rischio di lesioni personali.

e) Mantenersi in equilibrio. Mantenersi sempre su due piedi, in equilibrio stabile.

Ciò consente di controllare al meglio l'elettroutensile in caso di situazioni impreviste.

f) Vestirsi in modo adeguato. Non indossare abiti larghi o gioielli. Tenere i capelli, gli abiti e i guanti lontano dalle parti in movimento.

Abiti allentati, gioielli e capelli lunghi potrebbero impigliarsi nelle parti in movimento.

g) In caso di dispositivi provvisti di collegamento ad apparecchiature di rimozione e raccolta polveri, verificare che queste siano collegate e utilizzate in modo adeguato.

Raccogliere la polvere può ridurre i rischi connessi alle polveri.

4) Utilizzo e manutenzione degli elettroutensili

a) Non utilizzare elettroutensili non idonei.

Utilizzare l'elettroutensile idoneo alla propria applicazione.

Utilizzando l'elettroutensile corretto, si garantirà un'esecuzione migliore e più sicura del lavoro, alla velocità di progetto.

b) Non utilizzare l'elettroutensile qualora non sia possibile accenderlo/spegnere tramite l'interruttore.

È pericoloso utilizzare elettroutensili che non possano essere azionati dall'interruttore. Provvedere alla relativa riparazione.

c) Prima di effettuare qualsiasi regolazione, sostituire gli accessori o depositare gli elettroutensili, scollegare la spina dalla presa elettrica e/o il pacco batteria dall'utensile elettrico.

Queste misure di sicurezza preventive riducono il rischio di avvio involontario dell'elettroutensile.

d) Depositare gli elettroutensili non utilizzati lontano dalla portata dei bambini ed evitare che persone non esperte di elettroutensili o non a conoscenza di quanto riportato sulle presenti istruzioni azionino l'elettroutensile.

È pericoloso consentire che utenti non esperti utilizzino gli elettroutensili.

- e) **Manutenzione degli elettrotensili. Verificare che non vi siano componenti in movimento disallineati o bloccati, componenti rotti o altre condizioni che potrebbero influenzare negativamente il funzionamento dell'elettrotensile.**
In caso di guasti, provvedere alla riparazione dell'elettrotensile prima di riutilizzarlo.
Molti incidenti sono causati da una scarsa manutenzione.
- f) **Mantenere gli strumenti di taglio affilati e puliti.**
Gli strumenti di taglio in condizioni di manutenzione adeguata, con bordi affilati, sono meno soggetti al bloccaggio e sono più facilmente controllabili.
- g) **Utilizzare l'elettrotensile, gli accessori, le punte, ecc. in conformità a quanto riportato nelle presenti istruzioni, tenendo in debita considerazione le condizioni operative e il tipo di lavoro da eseguire.**

L'uso dell'utensile elettrico per operazioni diverse da quelle previste potrebbe causare una situazione pericolosa.

- 5) **Assistenza**
 - a) **Affidate le riparazioni dell'elettrotensile a persone qualificate che utilizzino solamente parti di ricambio identiche.**
Ciò garantirà il mantenimento della sicurezza dell'elettrotensile.

PRECAUZIONI

Tenere lontano dalla portata di bambini e invalidi. Quando non utilizzati, gli strumenti dovranno essere depositi lontano dalla portata di bambini e invalidi.

CHARATTERISTICHE

Voltaggio (per zona)*	(110V, 115V, 120V, 127V, 220V, 230V, 240V) ~
Potanza assorbita	180W*
Velocità senza carico	10000 min-1
Misura del cuscinio abrasivo	92 mm x 184 mm
Misura della carta abrasiva	93 mm x 228 mm
Peso (escluso il cavo)	1,3 kg

* Accertatevi di aver controllato bene la piastrina perché essa varia da zona.

ACCESSORI STANDARD

- Carta abrasiva.....6
(Grana: #60, #100, #150.....2 ciascuno)
 - Sacca di raccolte della polvere.....1
 - Punzone.....1
- L'accessorio standard può essere modificato senza preavviso.

ACCESSORI DISPONIBILI A RICHIESTA (Venduti separatamente)

- 1. **Carta abrasiva**
Grana: #60, #100, #150 (3 tipi)
- 2. **Carta abrasiva (Tipo Velcro)**
Grana: #60, #100, #150 (3 tipi)
- 3. **Cuscinetto (Tipo Velcro)**
Gli accessori disponibili a richiesta possono essere modificati senza preavviso.

APPLICAZIONI

- Levigatura di raffinamento di lavori di falegnameria.
- Smerigliatura di superfici nei lavori di falegnameria o di metalli in fogli prima della verniciatura.

PRIMA DI INIZIARE LE OPERAZIONE

- 1. **Alimentazione**
Assicurarsi che la rete di alimentazione che si vuole usare sia compatibile con le caratteristiche relative all'alimentazione di corrente specificate nella piastrina dell'apparecchio.

2. Interruttore di corrente

Mettere l'interruttore in posizione SPENTO. Se la spina è infilata in una presa mentre l'interruttore è acceso, l'utensile elettrico si mette immediatamente in moto, facilitando il verificarsi di incidenti gravi.

3. Prolunga del cavo

Quando l'ambiente di lavoro è lontano da una presa di corrente, usare una prolunga del cavo di sufficiente spessore e di prestazione adeguata. La prolunga deve essere più corta possibile.

4. Montaggio della carta abrasiva

Allineare il foro nella base con i fori della carta abrasiva. Posizionare la carta abrasiva sulla base. Quindi, allineare entrambe le estremità della carta abrasiva con la base nel senso della larghezza, e piegare la carta abrasiva (Fig. 1).

Allineare la piega con l'estremità della base, e afferrare un lato con il fermacarta (Fig. 2). Quindi afferrare il lato opposto della carta abrasiva con il fermacarta.

ATTENZIONE

La carta abrasiva deve essere montata esattamente sul cuscinio assicurandosi che sia sempre ben tesa (che non sia allentata). Se la carta abrasiva non fosse montata ben tesa, la lavorazione potrebbe risultare perfetta e/o la carta stessa potrebbe essere danneggiata.

5. Applicazione e rimozione della sacca di raccolta della polvere

- (1) Applicazione della sacca di raccolta della polvere
Come mostrato nella Fig. 3, trattenere l'ingresso polvere e spingerlo in direzione della freccia A per applicarlo all'uscita polvere.

- (2) Rimozione della sacca di raccolta della polvere
Come mostrato nella **Fig. 3**, trattenere l'ingresso polvere e tirarlo in direzione della freccia B per staccarlo dall'uscita polvere.

ATTENZIONE

Prima di eseguire le operazioni di carteggiatura, verificare il materiale della superficie da carteggiare.

Nel caso in cui la superficie da carteggiare potrebbe generare polveri dannose / tossiche, ad es. le superfici con vernice a base di piombo, verificare che il sacco raccogli-polvere o il sistema di estrazione polveri sia adeguatamente collegato all'uscita di eliminazione polveri.

Se disponibile, indossare anche la maschera antipolvere.

Porre attenzione a non inalare o toccare le polveri dannose / tossiche generate durante l'operazione di carteggiatura: la polvere potrebbe essere dannosa per voi e le persone circostanti.

PROCEDIMENTI DI FUNZIONAMENTO

PRATICO

ATTENZIONE

Non aggiungere mai acqua o fluido abrasivo mentre si smeriglia. Ne può causare una folgorazione.

- Accendere o spegnere della sabbiatrice (posizioni ON e OFF)**

L'utensile viene acceso ponendo la levetta su ON (1) e spenta ponendo la levetta su OFF (0).

ATTENZIONE

Non accendere mai l'interruttore mentre la sabbiatrice è a contatto con la superficie da smerigliare. Ciò è necessario per evitare danni all'oggetto da lavorare. La stessa cosa vale quando si spegne l'interruttore.

- Come afferrare la levigatrice orbitale**

Afferrando l'utensile, premere leggermente la sabbiatrice contro la superficie da levigare in modo che la carta abrasiva sia uniformemente a contatto con la superficie **Fig. 4**. NON esercitare una pressione eccessiva sulla sabbiatrice mentre si sta smerigliando. Una eccessiva pressione può causare sovraccarico al motore, vita limitata alla carta abrasiva e una minore efficacia di smerigliatura o levigatura.

- Come muovere la levigatrice orbitale**

Per un'ottima efficacia di funzionamento, muovere alternativamente la levigatrice avanti e indietro a velocità costante e in piano.

- Dopo aver messo una nuova carta abrasiva**

Il movimento della sabbiatrice può tendere a diventare irregolare dopo aver messo una nuova carta abrasiva, a causa della nuova, grossa grana della carta. Ciò può essere evitato inclinando lievemente avanti e indietro la levigatrice durante la smerigliatura o la levigatura. Il movimento di levigatura diventerà costante quando la superficie della carta si sarà convenientemente ridotta.

- Utilizzo di carta abrasiva commerciale senza fori**

Procuratevi della carta abrasiva 230 x 280 mm e tagliatela in tre sezioni longitudinali uguali (**Fig. 5**).

Prima di utilizzarla, eseguite dei fori nella carta abrasiva per aumentare la sua capacità di assorbimento della polvere.

Per eseguire i fori (perforazioni), allineare la carta abrasiva con la guida nel punzone accessorio ed esercitare pressione (**Fig. 6**).

MONTAGGIO DEGLI ACCESSORI SPECIALI

- Applicazione un cuscinio spugna (tipo Velcro) o un cuscinio adesivo**

Allentare le viti M4 x 10 (4) e rimuovere il cuscinio applicato. Quindi applicare il cuscinio spugna (tipo Velcro) o il cuscinio adesivo.

ATTENZIONE

Sostituire solo il cuscinio. Usare le altre parti senza rimuoverle.

- Fissare carta abrasiva del tipo Velcro o carta abrasiva di tipo adesivo**

Far corrispondere il foro sulla carta abrasiva con il foro del cuscinio e premere con forza la carta abrasiva con il palmo della mano per fissarla saldamente in posizione.

MANUTENZIONE E CONTROLLI

- Svuotante e pulitura del sacco per la polvere**

Se il portapolvere contiene troppa segatura, la raccolta di polvere sarà ostacolata. Svuotare il portapolvere quando si riempie.

Rimuovere il portapolvere, aprire la chiusura e gettare via il contenuto.

- Controllo della carta abrasiva**

Poiché l'uso di carta abrasiva logora diminuisce l'efficacia di lavoro e causa danni al cuscinio, sostituire la carta abrasiva non appena si nota un eccessivo logoramento.

- Controllo delle viti di tenuta**

Controllare regolarmente tutte le viti di tenuta e assicurarsi che siano esclusivamente serrate. Nel caso che una di queste viti dovesse allentarsi riserrarla immediatamente. Se si non ottiene di farlo, si può causare un grave incidente.

- Manutenzione del motore**

L'avvolgimento del motore il vero e proprio "cuore" degli attezzi elettrici. Fare attenzione a non danneggiare l'avvolgimento e/o non bagnarlo con olio o acqua.

- Sostituzione del cavo di alimentazione**

Se il cavo di alimentazione dell'attrezzo è danneggiato, l'attrezzo deve essere rinviato ad un centro assistenza autorizzato HiKOKI per la sostituzione del cavo.

- Manutenzione**

In caso di mancato funzionamento di un utensile elettrico, rivolgersi ad una officina autorizzata.

- Lista dei pezzi di ricambio**

ATTENZIONE

Riparazioni, modifiche e ispezioni di utensili elettrici HiKOKI devono essere eseguite da un centro assistenza HiKOKI autorizzato.

Questa lista dei pezzi torna utile se viene presentata con l'utensile al centro assistenza HiKOKI autorizzato quando si richiedono riparazioni o altri interventi di manutenzione.

Nell'uso e nella manutenzione degli utensili elettrici devono essere osservate le normative di sicurezza e i criteri prescritti in ciascun paese.

MODIFICHE

Gli utensili elettrici HiKOKI vengono continuamente migliorati e modificati per includere le più recenti innovazioni tecnologiche.

Di conseguenza, alcuni pezzi possono essere modificati senza preavviso.

GARANZIA

Garantiamo gli Utensili Elettrici HiKOKI in conformità alle specifiche normative imposte dalla legge e dai paesi. Questa garanzia non copre difetti o danni dovuti a uso erraneo, abuso o normale usura. In caso di lamentele, si prega di inviare l'Utensile Elettrico, non smontato, insieme al CERTIFICATO DI GARANZIA che si trova al termine di queste Istruzioni per l'uso, ad un Centro di Assistenza Autorizzato HiKOKI.

NOTA

A causa del continuo programma di ricerca e sviluppo della HiKOKI, le caratteristiche riportate in questo foglio sono soggette a cambiamenti senza preventiva comunicazione.

Informazioni riguardanti i rumori trasmessi dall'aria e le vibrazioni

I valori misurati sono stati determinati in conformità a EN60745 e descritti in conformità alla normativa ISO 4871.

Livello misurato di potenza sonora pesato A: 91 dB (A).
Livello misurato di pressione sonora pesato A: 80 dB (A).
Incertezza K: 3 dB (A).

Indossare i dispositivi di protezione acustica.

Valori totali di vibrazione (somma vettori triass.) determinati secondo la norma EN60745.

Levigatura di una piastra orizzontale in acciaio:
Valore di emissione vibrazioni $a_h = 4,0 \text{ m/s}^2$
Incertezza K = 1,5 m/s^2

Il valore totale di emissione vibrazioni dichiarato è stato misurato in base al metodo di test standard e può essere utilizzato per confrontare un utensile con un altro. Può essere inoltre utilizzato per la stima preliminare dell'esposizione.

ATTENZIONE

- Il valore di emissione vibrazioni durante l'uso effettivo dell'utensile può essere diverso dal valore totale dichiarato in base alle modalità di utilizzo dell'utensile stesso.
- Identificare le misure di sicurezza per la protezione dell'operatore basate su stima dell'esposizione nelle effettive condizioni di utilizzo (prendendo in considerazione tutte le parti del ciclo di funzionamento come i tempi in cui l'utensile resta spento e quando funziona senza essere utilizzato in aggiunta al tempo di avvio).

(Vertaling van de oorspronkelijke instructies)

**ALGEMENE VEILIGHEIDSWAARSCHUWINGEN
VOOR ELEKTRISCH GEREEDSCHAP****⚠ WAARSCHUWING**

Lees alle waarschuwingen en instructies aandachtig door.

Nalating om de waarschuwingen en instructies op te volgen kan in een elektrische schok, brand en/of ernstig letsel resulteren.

Bewaar alle waarschuwingen en aanwijzingen voor eventuele naslag in de toekomst.

De term „elektrisch gereedschap” heeft zowel betrekking op elektrisch gereedschap dat via de netvoeding van stroom wordt voorzien als gereedschap dat via een accu (snoerloos) van stroom wordt voorzien.

1) Veiligheid van de werkplek

- a) **Zorg voor een schone en goed verlichte werkplek.**

Een rommelige of donkere werkplek verhoogt de kans op ongelukken.

- b) **Gebruik elektrisch gereedschap niet in een explosieve omgeving, bijvoorbeeld in de aanwezigheid van ontvlambare vloeistoffen, gassen of stof.**

Elektrisch gereedschap kan vonken afgeven. Deze vonkjes kunnen stofdeeltjes of gassen doen ontbranden.

- c) **Houd kinderen en andere omstanders tijdens het gebruik van elektrisch gereedschap uit de buurt.**

Afleidingen kunnen gevaarlijk zijn.

2) Elektrische veiligheid

- a) **De stekker van het elektrisch gereedschap moet geschikt zijn voor aansluiting op het stopcontact.**

De stekker mag op geen enkele manier gemodificeerd worden.

Gebruik geen verloopstekker met geaard elektrisch gereedschap.

Deugdelijke stekkers en geschikte stopcontacten verminderen het risico op een elektrische schok.

- b) **Vermijd lichamen contact met geaarde oppervlakken zoals leidingen, radiatoren, fornuizen en koelkasten.**

Wanneer uw lichaam geaard is, loopt u een groter risico op een elektrische schok.

- c) **Stel het elektrisch gereedschap niet bloot aan regen of vochtige omstandigheden.**

Het risico op een elektrische schok wordt vergroot wanneer er water in het elektrisch gereedschap terechtkomt.

- d) **Behandel het snoer voorzichtig. Gebruik het snoer niet om het elektrisch gereedschap aan te dragen of mee te slepen en gebruik het snoer niet om de stekker uit het stopcontact te trekken.**

Houd het snoer uit de buurt van warmtebronnen, olie, scherpe randen of bewegende onderdelen.

Een beschadigd of verward snoer verhoogt het risico op een elektrische schok.

- e) **Gebruik buitenshuis een verlengsnoer dat specifiek geschikt is voor het gebruik buiten.**

Het gebruik van een snoer dat specifiek geschikt is voor gebruik buitenshuis vermindert het risico op een elektrische schok.

- f) **Als het elektrisch gereedschap in een vochtige omgeving gebruikt moet worden, dient een voeding met aardlekschakelaar te worden gebruikt.**

Gebruik van een aardlekschakelaar vermindert de kans op een elektrische schok.

3) Persoonlijke veiligheid

- a) **Blijf waakzaam, let voortdurend op uw werk en gebruik uw gezond verstand wanneer u elektrisch gereedschap gebruikt.**

Gebruik geen elektrisch gereedschap wanneer u moe bent of onder invloed van drugs, alcohol of medicijnen.

Eén moment van onoplettendheid kan in ernstig lichamenlijk letsel resulteren.

- b) **Gebruik persoonlijke beschermingsmiddelen. Draag altijd oogbescherming.**

Het gebruik van passende beschermingsmiddelen volgens de omstandigheden zoals stofmaskers, antislip-veiligheidsschoenen, een helm of gehoorbescherming vermindert het risico op lichamenlijk letsel.

- c) **Voorkom dat het gereedschap per ongeluk kan starten. Controleer of de schakelaar in de uit-stand staat voordat u de voeding en/of de accu aansluit, het gereedschap oppakt of gaat dragen.**

Zorg ervoor dat u tijdens het verplaatsen van het elektrisch gereedschap uw vingers uit de buurt van de schakelaar houdt en sluit de stroombron niet aan terwijl de schakelaar op aan staat om ongelukken te vermijden.

- d) **Verwijder sleutels en moersleutels uit het gereedschap voordat u het elektrisch gereedschap aanzet.**

Een (moer-)sleutel die op een bewegend onderdeel van het elektrische gereedschap bevestigd is, kan lichamenlijk letsel veroorzaken.

- e) **Reik niet te ver. Zorg ervoor dat u te allen tijde stevig staat en uw evenwicht houdt.**

Op deze manier heeft u tijdens een onverwachte situatie meer controle over het elektrisch gereedschap.

- f) **Draag geschikte kleding. Draag geen loszittende kleding of sieraden. Houd uw haar, kleding en handschoenen uit de buurt van bewegende onderdelen.**

Loszittende kleding, sieraden en lang haar kunnen in de bewegende onderdelen verstrikt raken.

- g) **Indien het elektrisch gereedschap van een aansluiting voor stofafzuiging is voorzien, dan dient u ervoor te zorgen dat de stofafzuiging aangesloten en op de juiste manier gebruikt wordt.**

Het gebruik van stofafzuiging kan stofgerelateerde risico's verminderen.

4) Bediening en onderhoud van elektrisch gereedschap

- a) **Het elektrisch gereedschap mag niet geforceerd worden. Gebruik het juiste gereedschap voor het karwei.**

U kunt de klus beter en veiliger uitvoeren wanneer u het juiste elektrische gereedschap gebruikt.

- b) **Gebruik het elektrisch gereedschap niet als de schakelaar niet goed werkt.**

Elektrisch gereedschap dat niet via de schakelaar bediend kan worden is gevaarlijk en moet onmiddellijk gerepareerd worden.

- c) Haal de stekker uit het stopcontact en/of de accu van het elektrisch gereedschap voor u afstellingen verricht, accessoires verwisselt of voordat u het elektrisch gereedschap opbergt. Dergelijke preventieve veiligheidsmaatregelen verminderen het risico dat het elektrisch gereedschap per ongeluk opstart.
- d) **Berg elektrisch gereedschap buiten het bereik van kinderen op en sta niet toe dat personen die niet bekend zijn met het juiste gebruik van het gereedschap of deze voorschriften dit elektrisch gereedschap gebruiken.**
Elektrisch gereedschap is gevaarlijk in de handen van onervaren gebruikers.
- e) **Het elektrisch gereedschap moet regelmatig onderhouden worden. Controleer het gereedschap op een foutieve uitlijning, vastgelopen of defecte bewegende onderdelen en andere problemen die van invloed zijn op de juiste werking van het gereedschap. Indien het gereedschap defect of beschadigd is moet het gerepareerd worden voordat u het gereedschap opnieuw gebruikt.**
Slecht onderhouden elektrisch gereedschap is verantwoordelijk voor een groot aantal doe-het-zelf ongelukken.
- f) **Houd snijwerktuigen scherp en schoon.**
Goed onderhouden snijwerktuigen met scherpe snijranden lopen minder snel vast en zijn gemakkelijker in het gebruik.
- g) **Elektrisch gereedschap, accessoires, bits enz. moeten in overeenstemming met deze instructies worden gebruikt, waarbij de werkomstandigheden en het werk dat gedaan moet worden in overweging moeten worden genomen.**
Gebruik van het elektrisch gereedschap voor andere doeleinden dan waarvoor het is bedoeld, kan resulteren in een gevaarlijke situatie.
- 5) **Onderhoud**
- a) **Het gereedschap mag uitsluitend door bevoegd onderhoudspersoneel worden onderhouden en er mag daarbij uitsluitend gebruik gemaakt worden van identieke vervangingsonderdelen. Hierdoor kunt u er op rekenen dat het elektrisch gereedschap veilig blijft.**

VOORZORGSMAATREGELEN

Houd kinderen en kwetsbare personen op een afstand.

Het gereedschap moet na gebruik buiten het bereik van kinderen en andere kwetsbare personen worden opgeborgen.

TECHNISCHE GEGEVENS

Voltage (verschillend van gebied tot gebied)*	(110V, 115V, 120V, 127V, 220V, 230V, 240V) ~
Opgenomen vermogen	180W*
Toerental onbelast	10000 min ⁻¹
Afmetingen schuurzool	92 mm x 184 mm
Afmetingen schuurpapier	93 mm x 228 mm
Gewicht (zonder kabel)	1,3 kg

* Controleer het naamplaatje op het apparaat daarhet apparaat afhankelijk van het gebied waar het verkocht wordt gewijzigd kan worden.

STANDAARD TOEBEHOREN

- Schuurpapier.....6
(Korrel: #60, #100, #150 2 van elk)
 - Stofzak 1
 - Doorslagplaat.....1
- De standaard toebehoren kunnen zonder aankondiging ieder moment worden veranderd.

EXTRA TOEBEHOREN (los te verkrijgen)

1. **Schuurpapier**
Korrel: #60, #100, #150 (3 types)
2. **Schuurpapier (klitteband-type)**
Korrel: #60, #100, #150 (3 types)
3. **Schuurzool (klitteband-type)**
De extra toebehoren kunnen zonder aankondiging op ieder moment worden veranderd.

TOEPASSINGEN

- Napolijsten van houtoppervlakken.
- Schuren van het oppervlak van hout of plaatwerk alvorens te gaan verven e.d.

VOOR HET GEBRUIK

1. **Netspanning**
Controleren of de netspanning overeenkomt met de opgave op het naamplaatje.
2. **Netschakelaar**
Controleren of de netschakelaar op "UIT" staat. Wanneer de stekker op het net aangesloten is, terwijl de schakelaar op "AAN" staat, t gevouwen gedeelte) van het schuurpapier naar binnen en ga daarna op dezelfde wijze te werk voor het insteken van het andere gevouwen gedeelte.
3. **Verlengsnoer**
Wanneer het werkteerrein niet in de buurt van een stopcontact ligt, dan moet men gebruik maken van een verlengsnoer, dat voldoende dwarsprofiel en voldoende nominaal vermogen heeft. Het verlengsnoer moet zo kort mogelijk gehouden worden.
4. **Aanbrengen van het schuurpapier**
Zorg dat de gaten van het voetstuk evenwijdig lopen aan de gaten van het schuurpapier. Plaats het schuurpapier op het voetstuk. Zorg dat de uiteinden van het schuurpapier in de breedte evenwijdig lopen aan de randen van het voetstuk en buig het schuurpapier (Afb. 1).

Zorg dat de vouw evenwijdig loopt aan de rand van het voetstuk en klem één kant van het schuurpapier vast met de papierhouder (**Afb. 2**).

Klem vervolgens de andere kant van het schuurpapier vast met de papierhouder.

LET OP

Zorg ervoor dat het schuurpapier correct en voldoende gespannen (het papier mag niet bolzitten) op de schuurzool wordt aangebracht. Als het schuurpapier te los is bevestigd, kan dit resulteren in ongelijkmatig schuren en/of beschadiging van het schuurpapier.

5. Aanbrengen en verwijderen van de stofzak

(1) Aanbrengen van de stofzak

Houd de stofpoort zoals aangegeven in **Afb. 3** en druk deze in de richting van pijl A op de stofuitlaatopening aan.

(2) Verwijderen van de stofzak

Pak de stofpoort vast zoals aangegeven in **Afb. 3** en trek deze in de richting van pijl B van de stofuitlaatopening af.

LET OP

Stel vast met wat voor materiaal u heeft te maken voordat u met het schuren begint.

Indien er een risico bestaat dat het te behandelen oppervlak schadelijke / giftige stoffen zoals lood kan afgeven, zorg er dan voor dat de stofzak of een geschikt stofafzuigingsstelsel goed op de stofuitlaat is aangesloten.

Wij adviseren bovendien dat u een stofmasker draagt. De schadelijke / giftige stoffen die tijdens het schuren vrijkomen mogen niet ingeademd worden. Deze stof is schadelijk voor uw gezondheid en de gezondheid van anderen.

PARAKTISCHE WERKWIJZE

LET OP

Gebruik nooit water of slijpvlloeistof bij werkzaamheden met de vlakschuurmachine. Dit kan namelijk een elektrische schok veroorzaken.

1. In- en uitschakelen van de vlakschuurmachine

Zet de hendel op ON (1) voor het inschakelen en op OFF (0) voor het uitschakelen van de vlakschuurmachine.

LET OP

Schakel de vlakschuurmachine nooit in wanneer de machine in contact is met het te schuren oppervlak. Dit om beschadiging van het werkstuk te voorkomen. Hetzelfde geldt bij het uitschakelen.

2. Vasthouden van de vlakschuurmachine

Pak de vlakschuurmachine bij de behuizing vast en druk de machine lichtjes tegen het te schuren oppervlak, zodat het schuurpapier het oppervlak gelijkmatig aanraakt. Zie **Afb. 4**. Bij het schuren moet geen overmatige druk op de vlakschuurmachine worden uitgeoefend. Dit kan namelijk leiden tot overbelasting van de motor, een kortere levensduur van het schuurpapier en een geringer schuuren polijsteffect.

3. Bewegen van de vlakschuurmachine

Om een optimaal arbeidseffect te verkrijgen, moet de vlakschuurmachine met constante snelheid en gelijkmatige druk afwisselend naar voren en achteren worden bewogen.

4. Na het inzetten van nieuw schuurpapier

Na het aanbrengen van nieuw schuurpapier kan de nieuwe, grove korrel van het papier leiden tot een ongelijkmatige beweging van de vlakschuurmachine. Dit kan vermeden worden door de vlakschuurmachine tijdens het schuren of polijsten licht naar voren of achteren te kantelen. De beweging van de vlakschuurmachine wordt constanter zodra het papier voldoende is afgeschuurd.

5. Bij gebruik van schuurpapier zonder gaten

Koop een stuk schuurpapier van 230 x 280 mm en snij het in 3 even grote, langwerpige vellen (**Afb. 5**).

Maak vóór gebruik gaten in het schuurpapier, om zo het stofabsorberende vermogen te vergroten.

Maak de gaten (perforaties) door het schuurpapier evenwijdig aan de geleider van de bijgeleverde doorslagplaat te leggen en vervolgens te drukken (**Afb. 6**).

BEVESTIGEN VAN DE EXTRA TOEBEHOREN

1. Aanbrengen van een spons-schuurzool (Klitteband-type) of een zelfklevende schuurzool

Draai de M4 x 10 schroeven (4) los en verwijder de aanwezige schuurzool. Breng vervolgens de sponsschuurzool (Klitteband-type) of de zelfklevende schuurzool aan.

LET OP

Vervang alleen de schuurzool. Gebruik de andere onderdelen zonder deze te vervangen of te verwijderen.

2. Het bevestigen van het klitteband-type schuurpapier of het zelfklevend-type schuurpapier

Plaats het schuurpapier met de opening over de opening in de schuurzool en druk het schuurpapier met de hand stevig aan, zodat het goed op zijn plaats blijft zitten.

ONDERHOUD EN INSPECTIE

1. Het legen en reinigen van de stofzak

Alz de stofzak teveel zaagafval en stof bevat, zal het verzamelen van zaagafval en stof niet naar behoren plaatsvinden.

Maak daarom de stofzak leeg wanneer deze vol raakt. Verwijder hiervoor de stofzak, open de sluiting en verwijder de inhoud van de stofzak.

2. Inspectie van het schuurpapier

Aangezien het verder gebruiken van versleten schuurpapier leidt tot een verminderd arbeidseffect en een mogelijke beschadiging van de schuurzool, moet het schuurpapier meteen worden vervangen zodra een bovenmatige slijtage wordt vastgesteld.

3. Inspectie van de bevestigingsschroef

Alle bevestigingsschroeven worden regelmatig geïnspecteerd en gecontroleerd of zij juist aangedraaid zijn. Wanneer één van de schroeven losraakt, dan moet deze onmiddellijk opnieuw aangedraaid worden. Gebeurt dat niet, dan kan dat tot aanzienlijke gevaren leiden.

4. Onderhoud van de motor

De motorwikkeling is het "hart" van het elektrische gereedschap.

Er moet daarom bijzonder zorgvuldig op gelet worden, dat de wikkeling niet beschadigd en/of met olie of water bevochtigd wordt.

5. Vervangen van het stroomsnoer

Als het stroomsnoer van het gereedschap beschadigd raakt, moet het gereedschap aan een erkend HiKOKI Service-centrum worden geretourneerd om het stroomsnoer te laten vervangen.

6. Service

Bij weigering van het gereedschap een bevoegde dealer raadplegen.

7. Lijst vervangingsonderdelen

LET OP

Reparatie, modificatie en inspectie van HiKOKI elektrisch gereedschap dient te worden uitgevoerd door een erkend HiKOKI Service-centrum.

Deze Onderdelenlijst komt van pas wanneer u deze samen met het gereedschap aanbiedt bij het erkende HiKOKI Service-centrum wanneer u om reparatie of ander onderhoud verzoekt.

Bij gebruik en onderhoud van elektrisch gereedschap dienen de in het land waar u zich bevindt geldende veiligheidsregelgeving en veiligheidsstandaarden strikt te worden opgevolgd.

MODIFICATIES

HiKOKI elektrisch gereedschap wordt voortdurend verbeterd en gewijzigd teneinde gebruik te kunnen maken van de nieuwste technische ontwikkelingen.

Daarom is mogelijk dat sommige onderdelen zonder voorafgaande kennisgeving gewijzigd worden.

GARANTIE

De garantie op het elektrisch gereedschap van HiKOKI is in overeenstemming met de wettelijke/landspecifieke richtlijnen. Deze garantie dekt geen defecten of schade als gevolg van foutief gebruik, misbruik of normale slijtage. In geval van klachten verzoeken wij u het elektrisch gereedschap samen met het GARANTIECERTIFICAAT dat u achterin deze handleiding aantreft naar een erkend servicecentrum van HiKOKI te sturen. Indien door de gebruiker de machine wordt gedemonteerd vervalt de aanspraak op garantie.

AANTEKENING

Op grond van het voortdurende research- en ontwikkelingsprogramma van HiKOKI zijn veranderingen van de hierin genoemde technische opgaven voorbehouden.

Informatie betreffende lawaai en trillingen

De gemeten waarden zijn verkregen overeenkomstig EN60745 en voldoen aan de eisen van ISO 4871.

Gemeten A-gewogen geluidsniveau: 91 dB (A).

Gemeten A-gewogen geluidsdrukniveau: 80 dB (A).

Onzekerheid K: 3 dB (A).

Draag gehoorbescherming.

Totale trillingswaarden (triax vector som) bepaald overeenkomstig EN60745.

Een horizontale stalen plaat schuren:

Trillingsemisiewaarde $a_h = 4,0 \text{ m/s}^2$

Onzekerheid K = $1,5 \text{ m/s}^2$

De totale bepaalde trillingswaarde is gemeten in overeenstemming met een standaard testmethode en kan worden gebruikt om meerdere gereedschappen met elkaar te vergelijken.

U kunt dit ook vooraf gebruiken als beoordeling van de blootstelling.

WAARSCHUWING

- De trillingsemisiewaarde tijdens het feitelijke gebruik van het elektrisch gereedschap kan afwijken van de opgegeven totale waarde afhankelijk van de manieren waarop het gereedschap wordt gebruikt.

- Neem kennis van de veiligheidsmaatregelen voor de bescherming van de gebruiker die gebaseerd zijn op een schatting van de blootstelling onder feitelijke gebruiksomstandigheden (rekening houdend met alle onderdelen van de gebruikscyclus, zoals de tijd dat het gereedschap is uitgeschakeld en wanneer dit onbelast draait inclusief de triggertijd).

(Traducción de las instrucciones originales)

ADVERTENCIAS DE SEGURIDAD GENERAL DE LA HERRAMIENTA ELÉCTRICA

⚠ ADVERTENCIA

Lea todas las instrucciones y advertencias de seguridad.

Si no se siguen las advertencias e instrucciones, podría producirse una descarga eléctrica, un incendio o daños graves.

Guarde todas las advertencias e instrucciones para futura referencia.

El término "herramienta eléctrica" en las advertencias hace referencia a la herramienta eléctrica que funciona con la red de suministro (con cable) o a la herramienta eléctrica que funciona con pilas (sin cable).

1) Seguridad del área de trabajo

- a) **Mantenga la zona de trabajo limpia y bien iluminada.**

Las zonas desordenadas u oscuras pueden provocar accidentes.

- b) **No utilice las herramientas eléctricas en entornos explosivos como, por ejemplo, en presencia de líquidos inflamables, gases o polvo.**

Las herramientas eléctricas crean chispas que pueden inflamar el polvo o los gases.

- c) **Mantenga a los niños y transeúntes alejados cuando utilice una herramienta eléctrica.**

Las distracciones pueden hacer que pierda el control.

2) Seguridad eléctrica

- a) **Los enchufes de las herramientas eléctricas tienen que ser adecuados a la toma de corriente.**

No modifique el enchufe.

No utilice enchufes adaptadores con herramientas eléctricas conectadas a tierra.

Si no se modifican los enchufes y se utilizan tomas de corriente adecuadas se reducirá el riesgo de descarga eléctrica.

- b) **Evite el contacto corporal con superficies conectadas a tierra como tuberías, radiadores y frigoríficos.**

Hay mayor riesgo de descarga eléctrica si su cuerpo está en contacto con el suelo.

- c) **No exponga las herramientas eléctricas a la lluvia o a la humedad.**

La entrada de agua en una herramienta eléctrica aumentará el riesgo de descarga eléctrica.

- d) **No utilice el cable incorrectamente. No utilice el cable para transportar, tirar de la herramienta eléctrica o desenchufarla.**

Mantenga el cable alejado del calor, del aceite, de bordes afilados o piezas móviles.

Los cables dañados o enredados aumentan el riesgo de descarga eléctrica.

- e) **Cuando utilice una herramienta eléctrica al aire libre, utilice un cable prolongador adecuado para utilizarse al aire libre.**

La utilización de un cable adecuado para usarse al aire libre reduce el riesgo de descarga eléctrica.

- f) **Si no se puede evitar el uso de una herramienta eléctrica en un lugar húmedo, utilice un suministro protegido mediante un dispositivo de corriente residual (RCD).**

El uso de un RCD reduce el riesgo de descarga eléctrica.

3) Seguridad personal

- a) **Esté atento, preste atención a lo que hace y utilice el sentido común cuando utilice una herramienta eléctrica.**

No utilice una herramienta eléctrica cuando esté cansado o esté bajo la influencia de drogas, alcohol o medicación.

Una distracción momentánea mientras utiliza herramientas eléctricas puede dar lugar a lesiones personales graves.

- b) **Utilice un equipo de protección personal. Utilice siempre una protección ocular.**

El equipo de protección como máscara para el polvo, zapatos de seguridad antideslizantes, casco o protección auditiva utilizado en las situaciones adecuadas reducirá las lesiones personales.

- c) **Evite un inicio involuntario. Asegúrese de que el interruptor está en "off" antes de conectar la herramienta a una fuente de alimentación o batería, cogérla o transportarla.**

El transporte de herramientas eléctricas con el dedo en el interruptor o el encendido de herramientas eléctricas con el interruptor encendido puede provocar accidentes.

- d) **Retire las llaves de ajuste antes de encender la herramienta eléctrica.**

Si se deja una llave en una pieza giratoria de la herramienta eléctrica podrían producirse lesiones personales.

- e) **No se extralimite. Mantenga un equilibrio adecuado en todo momento.**

Esto permite un mayor control de la herramienta eléctrica en situaciones inesperadas.

- f) **Utilice una vestimenta adecuada. No lleve prendas sueltas o joyas. Mantenga el pelo, la ropa y los guantes alejados de las piezas móviles.**

La ropa suelta, las joyas y el pelo largo pueden quedar atrapados en las piezas móviles.

- g) **Si se proporcionan dispositivos para la conexión de extracción de polvo e instalaciones de recogida, asegúrese de que estén conectados y se utilicen adecuadamente.**

La utilización de un sistema de recogida de polvo puede reducir los riesgos relacionados con el polvo.

4) Utilización y mantenimiento de las herramientas eléctricas

- a) **No fuerce la herramienta eléctrica. Utilice la herramienta eléctrica correcta para su aplicación.**

La herramienta eléctrica correcta trabajará mejor y de forma más segura si se utiliza a la velocidad para la que fue diseñada.

- b) **No utilice la herramienta eléctrica si el interruptor no la enciende y apaga.**

Las herramientas eléctricas que no pueden controlarse con el interruptor son peligrosas y deben repararse.

- c) **Desconecte el enchufe de la fuente eléctrica o la batería de la herramienta eléctrica antes de hacer ajustes, cambiar accesorios o almacenar herramientas eléctricas.**

Estas medidas de seguridad preventivas reducen el riesgo de que la herramienta eléctrica se ponga en marcha accidentalmente.

- d) Guarde las herramientas eléctricas que no se utilicen fuera del alcance de los niños, y no permita que utilicen las herramientas eléctricas personas no familiarizadas con las mismas o con estas instrucciones.

Las herramientas eléctricas son peligrosas si son utilizadas por usuarios sin formación.

- e) Realice el mantenimiento de las herramientas eléctricas. Compruebe si las piezas móviles están mal alineadas o unidas, si hay alguna pieza rota u otra condición que pudiera afectar al funcionamiento de las herramientas eléctricas.

Si la herramienta eléctrica está dañada, llévela a reparar antes de utilizarla.

Se producen muchos accidentes por no realizar un mantenimiento correcto de las herramientas eléctricas.

- f) Mantenga las herramientas de corte afiladas y limpias.

Las herramientas de corte correctamente mantenidas con los bordes de corte afilados son más fáciles de controlar, y existe menor riesgo de que se atasquen.

- g) Utilice la herramienta eléctrica, los accesorios y las brocas de la herramienta, etc. de acuerdo con estas instrucciones, teniendo en cuenta las condiciones laborales y el trabajo que se va a realizar.

La utilización de la herramienta eléctrica para operaciones diferentes a las previstas podría dar lugar a una situación peligrosa.

5) Revisión

- a) Solicite a un experto cualificado que revise la herramienta eléctrica y que utilice solo piezas de repuesto idénticas.

Esto garantizará el mantenimiento de la seguridad de la herramienta eléctrica.

PRECAUCIÓN

Mantenga a los niños y a las personas enfermas alejadas.

Cuando no se utilicen, las herramientas deben almacenarse fuera del alcance de los niños y de las personas enfermas.

ESPECIFICACIONES

Voltaje (por áreas)*	(110V, 115V, 120V, 127V, 220V, 230V, 240V) ~
Acometida	180W*
Velocidad de marcha en vacío	10000 min ⁻¹
Medida del disco esmerilado	92 mm x 184 mm
Medida del papel esmeril	93 mm x 228 mm
Peso (sin cable)	1,3 kg

* Verificar indefectiblemente los datos de la placa de características de la máquina, pues varían de acuerdo al país de destino.

ACCESORIO ESTANDAR

- Papel de lija.....6
(Grano: #60, #100, #150.....2 cada uno)
 - Bolsa colector de polvo.....1
 - Placa perforadora.....1
- El accesorio estándar está sujeto a cambios sin previo aviso.

ACCESORIOS FACULTATIVOS (de venta por separado)

1. **Papel de lija**
Grano: #60, #100, #150 (3 tipos)
2. **Papel de lija (tipo Velcro)**
Grano: #60, #100, #150 (3 tipos)
3. **Disco (tipo Velcro)**

Los accesorios facultativos están sujetos a cambios sin previo aviso.

APLICACIONES

- Para pulir superficies de madera.
- Para lijar superficies de madera o chapas de metal antes de pintarlas.

ANTES DE LA PUESTA EN MARCHA

1. Alimentación

Asegurarse de que la alimentación de red que ha de ser utilizada responda a las exigencias de corriente especificadas en la placa de características del producto.

2. Conmutador de alimentación

Asegurarse de que el conmutador de alimentación esté en la posición OFF (desconectado). Si la clavija está conectada en la caja del enchufe mientras el conmutador de alimentación esté posición ON (conectado) las herramientas eléctricas empezarán a trabajar inmediatamente, provocando un serio accidente.

3. Cable de prolongación

Cuando está alejada el área de trabajo de la red de alimentación, usar un cable de prolongación de un grosor de potencia nominal y suficiente. El cable de prolongación debe ser mantenido lo más corto posible.

4. Instalación del papel de lija

Alinee el orificio en la base con los orificios del papel de lija. Coloque el papel de lija sobre la base. A continuación, alinee ambos extremos del papel de lija con la base a lo ancho y doble el papel de lija (Fig. 1).

Alinee el pliego con el borde de la base y agarre un lateral con la sujeción de papel (Fig. 2).

Ahora agarre el lateral opuesto del papel de lija con la sujeción de papel.

PRECAUCIÓN

El papel de lija debe estar instalado en la almohadilla de forma precisa, asegurándose de que esté bien apretado y de que no tenga flojedad alguna. Si el papel de lija se instala flojamente ésto podría causar unas superficies irregularmente lijadas y/o daños en el propio papel.

5. Fijación y extracción de la bolsa colectora de polvo**(1) Fijación de la bolsa colectora de polvo**

Como se muestra en la **Fig. 3**, sujete la entrada del polvo y presiónela en el sentido de la flecha A para fijarla a la salida del polvo.

(2) Extracción de la bolsa colectora de polvo

Como se muestra en la **Fig. 3**, sujete la entrada del polvo y presiónela en el sentido de la flecha B para extraerla de la salida del polvo.

PRECAUCIÓN

Antes de la operación de lijado, compruebe si es posible que el material de la superficie que vaya a lijar produzca polvos nocivos o tóxicos.

Si es posible que la superficie que se vaya a lijar produzca polvos nocivos o tóxicos, como en el caso de una superficie con pintura al plomo, fije la bolsa de polvo u otro sistema apropiado de extracción del polvo a la salida de polvo.

Además, si dispone de ella, utilice la máscara de protección contra el polvo.

No inhale ni toque los polvos nocivos o tóxicos generados en la operación de lijado, ya que podría suponer un riesgo para su salud y la de las personas cercanas.

PROCEDIMIENTOS PRACTICOS OPERATIVOS**PRECAUCIÓN**

No aplicar nunca agua ni fluido abrasivo cuando se está lijando. Esto podría causar una descarga eléctrica.

1. Encendido y apagado de la lijadora

La alimentación puede encenderse poniendo la palanca en la posición ON (1) y apagarse poniéndola en la posición OFF (0).

PRECAUCIÓN

No encender nunca la lijadora cuando esté en contacto con la superficie a lijar. Esto es para prevenir daños en la pieza a trabajar.

Lo mismo puede aplicarse al apagar la lijadora.

2. Modo de sujetar la lijadora orbital

Mientras se agarra la lijadora, apretarla ligeramente contra la superficie a lijar de forma que el papel de lija toque uniformemente la superficie, como se muestra en la **Fig. 4**.

No aplicar una fuerza excesiva sobre la lijadora al efectuar el trabajo. Una presión excesiva podría causar sobrecalentamientos en el motor, reducir la duración de servicio del papel de lija y disminuir la eficiencia del trabajo.

3. Modo de mover la lijadora orbital

Para obtener la máxima eficiencia, mover alternativamente la lijadora hacia adelante y hacia atrás a velocidades constantes y de forma nivelada.

4. Después de la instalación de un papel de lija nuevo

Debido a que el papel de lija nuevo tendrá los granos más bastos, el movimiento de la lijadora tenderá a ser irregular después de haberlo colocado. Esto puede evitarse inclinando ligeramente la lijadora hacia adelante y hacia atrás durante los trabajos de lijado o pulido. El movimiento de la lijadora más uniforme después de que la superficie del papel esté apropiadamente desgastada.

5. Utilización de papel de lija comercial sin agujeros

Obtenga papel de lija de 230 x 280 mm y córtelo en 3 trozos longitudinales iguales (**Fig. 5**).

Antes de utilizarlo, realice agujeros en el papel de lija para aumentar su eficacia de absorción de polvo.

Para hacer los agujeros (perforaciones), alinee el papel de lija con la guía de la placa perforadora y presiónese (**Fig. 6**).

MONTAJE DE ACCESORIOS FACULTATIVOS**1. Fijación de una almohadilla de esponja (tipo Velcro) o una almohadilla adhesiva**

Afloje los tornillos M4 x 10 (4) y extraiga la almohadilla fijada. A continuación, fije una almohadilla de esponja (tipo Velcro) o una almohadilla adhesiva.

PRECAUCIÓN

Reemplace solamente la almohadilla. Utilice las otras piezas sin extraerlas.

2. Utilizar papel de lija tipo Velcro o papel de lija tipo adherente

Haga coincidir el orificio del papel de lija con el orificio de la almohadilla y presiónese con fuerza el papel de lija con la palma de su mano para asegurarlo en su lugar.

MANTENIMIENTO E INSPECCION**1. Vaciar y limpiar el selector de polvo**

Si la bolsa para el serrín contiene demasiado serrín la recolección de serrín será deficiente.

Vacíe la bolsa de serrín cuando se llene.

Extraiga la bolsa para el serrín, abra la cremallera, y vacíe el serrín.

2. Inspección del papel de lija

Cambiar el papel de lija tan pronto como se note en él una abrasión excesiva. La utilización de un papel de lija desgastado disminuirá la eficiencia del trabajo y podría dañar la almohadilla.

3. Inspeccionar los tornillos de montaje

Regularmente inspeccionar todos los tornillos de montaje y asegurarse de que estén apretados firmemente. Si cualquier tornillo estuviera suelto, volver a apretarlo inmediatamente. El no hacer esto provocaría un riesgo serio.

4. Mantenimiento del motor

La unidad de bobinado del motor es el verdadero "corazón" de las herramientas eléctricas. Prestar el mayor cuidado y asegurarse de que el bobinado no se dañe y/o se humedezca con aceite o agua.

5. Reemplazo del cable de alimentación

Si el cable de alimentación de la herramienta está dañado, envíe la herramienta al Centro de Servicio Autorizado de HIKOKI para que le cambien el cable de alimentación.

6. Servicio

Consultar a un representante de servicio autorizado en caso de fallo de la herramienta eléctrica.

7. Lista de repuestos**PRECAUCIÓN**

La reparación, modificación e inspección de las herramientas eléctricas HIKOKI deben ser realizadas por un Centro de Servicio Autorizado de HIKOKI.

Esta lista de repuestos será de utilidad si es presentada junto con la herramienta al Centro de Servicio Autorizado de HIKOKI, para solicitar la reparación o cualquier otro tipo de mantenimiento.

En el manejo y el mantenimiento de las herramientas eléctricas, se deberán observar las normas y reglamentos vigentes en cada país.

MODIFICACIONES

HiKOKI Power Tools introduce constantemente mejoras y modificaciones para incorporar los últimos avances tecnológicos.

Por consiguiente, algunas partes pueden ser modificadas sin previo aviso.

GARANTÍA

Las herramientas motorizadas de HiKOKI incluye una garantía conforme al reglamento específico legal/nacional. Esta garantía no cubre los defectos o daños debidos al uso incorrecto, el abuso o el desgaste normal. En caso de reclamación, envíe la herramienta motorizada, sin desmontar y con el CERTIFICADO DE GARANTÍA que aparece al final de estas instrucciones de uso, al Centro de Servicio Autorizado de HiKOKI.

OBSERVACION

Debido al programa continuo de investigación y desarrollo de HiKOKI éstas especificaciones están sujetas a cambio sin previo aviso.

Información sobre el ruido propagado por el aire y la vibración

Los valores medidos se determinaron de acuerdo con la norma EN60745 y se declaran de conformidad con la norma ISO 4871.

Nivel de potencia acústica ponderada A: 91 dB (A)

Nivel de presión acústica ponderada A: 80 dB (A)

Incertidumbre K: 3 dB (A).

Utilice protecciones auditivas.

Valores totales de la vibración (suma de vectores triax.) determinados de acuerdo con la norma EN60745.

Lijar una placa de acero horizontal:

Valor de emisión de vibración $a_h = 4,0 \text{ m/s}^2$

Incertidumbre K = 1,5 m/s^2

El valor total de vibración declarado se ha medido según un método de prueba estándar, y permite comparar unas herramientas con otras.

También resulta útil para llevar a cabo evaluaciones preliminares de exposición.

ADVERTENCIA

- La emisión de vibración durante la utilización real de la herramienta eléctrica puede ser diferente del valor total declarado en función de las formas de utilización de la herramienta.
- Identifique las medidas de seguridad para proteger al operador basadas en una estimación de exposición en condiciones reales de uso (teniendo en cuenta todas las partes del ciclo de funcionamiento, como tiempos durante los que la herramienta está apagada y durante los que funciona lentamente, además del tiempo de activación).

(Tradução das instruções originais)

AVISOS GERAIS DE SEGURANÇA PARA A FERRAMENTA ELÉTRICA

⚠ AVISO

Leia todos os avisos de segurança e todas as instruções

Se não seguir todas as instruções e os avisos, pode provocar um choque elétrico, incêndio e/ou ferimentos graves.

Guarde todos os avisos e instruções para referência futura.

O termo “ferramenta elétrica” em todos os avisos refere-se à sua ferramenta ligada à corrente (com fios) ou à ferramenta elétrica de bateria (sem fios).

1) Segurança da área de trabalho

- a) Mantenha a área de trabalho limpa e bem iluminada.

As áreas escuras ou cheias de material são propícias aos acidentes.

- b) Não trabalhe com ferramentas elétricas em ambientes explosivos, tais como na presença de líquidos inflamáveis, gases ou pó.

As ferramentas elétricas criam faíscas que podem incendiar o pó dos fumos.

- c) Mantenha as crianças e outras pessoas afastadas quando trabalhar com uma ferramenta elétrica.

As distrações podem fazer com que perca controle.

2) Segurança elétrica

- a) As fichas da ferramenta elétrica devem corresponder à tomada. Nunca modifique a ficha.

Não utilize fichas adaptadoras com ferramentas elétricas ligadas à terra.

As fichas não modificadas e tomadas correspondentes reduzirão o risco de choques elétricos.

- b) Evite contacto corporal com superfícies ligadas à terra, tais como tubos, radiadores, máquinas e frigoríficos.

Existe um risco acrescido de choques elétricos se o seu corpo estiver ligado à terra.

- c) Não exponha ferramentas elétricas à chuva ou condições de humidade.

A entrada de água numa ferramenta elétrica aumentará o risco de choques elétricos.

- d) Não abuse do fio. Nunca utilize o fio para transportar, puxar ou desligar a ferramenta elétrica.

Mantenha o fio afastado do calor, óleo, margens afiadas ou peças em movimento.

Os fios danificados ou entrelaçados podem aumentar o risco de choques elétricos.

- e) Quando trabalhar com uma ferramenta elétrica no exterior, utilize uma extensão adequada para utilização exterior.

A utilização de um fio adequado para utilização no exterior reduz o risco de choques elétricos.

- f) Se não for possível evitar a utilização de uma máquina elétrica num local húmido, utilize uma fonte de alimentação protegida por um dispositivo de corrente residual (RCD).

A utilização de um RCD reduz o risco de choques elétricos.

3) Segurança pessoal

- a) Mantenha-se alerta, esteja atento ao que está a fazer e utilize o bom senso ao trabalhar com uma ferramenta elétrica.

Não utilize uma ferramenta elétrica quando estiver cansado ou sob a influência de drogas, álcool ou medicamentos.

Um momento de desatenção enquanto trabalha com ferramentas elétricas pode resultar em ferimentos pessoais graves.

- b) Utilize equipamento de proteção pessoal. Utilize sempre proteção para os olhos.

O equipamento de proteção, tal como uma máscara de pó, sapatos de segurança anti-derrapantes, capacete ou proteção auricular utilizados para condições adequadas reduzirá os ferimentos pessoais.

- c) Evite arranques acidentais. Certifique-se de que o interruptor está na posição de desligado antes de ligar a fonte de alimentação e/ou bateria, levantar ou transportar a ferramenta.

Transportar ferramentas elétricas com o dedo no interruptor ou ativar ferramentas que estão com o interruptor ligado é propício a acidentes.

- d) Remova qualquer chave de parafusos ou chave-inglesa de regulação antes de ligar a ferramenta.

Uma chave-inglesa ou de parafusos ligada à parte rotativa da ferramenta pode provocar ferimentos pessoais.

- e) Não se estique. Mantenha sempre o controlo e equilíbrio adequados.

Isto permite obter um melhor controlo da ferramenta em situações inesperadas.

- f) Vista-se adequadamente. Não use roupas largas ou joias. Mantenha o cabelo e luvas afastados das peças móveis.

As roupas largas, joias ou cabelo comprido podem ficar presos nas peças móveis.

- g) Se forem fornecidos dispositivos para a ligação de extratores de pó e dispositivos de recolha, certifique-se de que estes estão ligados e são utilizados adequadamente.

A utilização de uma recolha de pó pode reduzir os perigos relacionados com o pó.

4) Utilização da ferramenta e manutenção

- a) Não force a ferramenta elétrica. Utilize a ferramenta correta para a sua aplicação.

A ferramenta correta fará o trabalho melhor e com mais segurança à velocidade para a qual foi concebida.

- b) Não utilize a ferramenta elétrica se o interruptor não a ligar ou desligar.

Qualquer ferramenta que não possa ser controlada com o interruptor é perigosa e deve ser reparada.

- c) Desligue a ficha da fonte de alimentação e/ou da bateria da ferramenta elétrica antes de efetuar quaisquer regulações, mudar os acessórios ou armazenar ferramentas elétricas.

Tais medidas de segurança de prevenção reduzem o risco de ligar a ferramenta elétrica acidentalmente.

- d) Armazene as ferramentas elétricas fora do alcance das crianças e não permita que pessoas não familiarizadas com a ferramenta elétrica ou com estas instruções utilizem a ferramenta.

As ferramentas elétricas são perigosas nas mãos de utilizadores inexperientes.

- e) **Efetue a manutenção das ferramentas elétricas.** Verifique a existência de desalinhamentos ou dobragens das peças móveis, quebras de peças e quaisquer outras condições que possam afetar o funcionamento da ferramenta elétrica.

Se danificada, mande reparar a ferramenta antes de utilizar.

Muitos acidentes são causados por ferramentas com má manutenção.

- f) **Mantenha as ferramentas de corte afiadas e limpas.**

As ferramentas de corte com uma manutenção adequada e extremidades afiadas são menos propensas a dobrar e mais fáceis de controlar.

- g) **Utilize a ferramenta elétrica, acessórios e brocas de ferramentas, etc., de acordo com estas instruções, tendo em consideração as condições de trabalho e o trabalho a ser efetuado.**

A utilização de uma ferramenta elétrica para operações diferentes das previstas pode resultar numa situação perigosa.

5) Manutenção

- a) **Faça a manutenção da sua ferramenta elétrica por um pessoal de reparação qualificado e utilize apenas peças de substituição idênticas.** Isto garantirá que a segurança da ferramenta elétrica é mantida.

AVISO

Mantenha afastadas das crianças e pessoas doentes. Quando não estiverem a ser utilizadas, as ferramentas devem ser guardadas fora do alcance das crianças e pessoas doentes.

ESPECIFICAÇÕES

Voltagem (por áreas)*	(110V, 115V, 120V, 127V, 220V, 230V, 240V) ~
Potência de entrada	180W*
Rotação sem carga	10000 min ⁻¹
Tamanho do apoio de lixa	92 mm x 184 mm
Tamanho da lixa	93 mm x 228 mm
Peso (sem fio)	1,3 kg

* Não deixe de verificar a voltagem na placa identificadora constante do produto, pois ela está sujeita a mudanças conforme a área.

ACESSÓRIOS-PADRÃO

- Lixa6
(Grão: #60, #100, #150 2 cada)
 - Bolsa coletora de poeira1
 - Placa perfuradora1
- Os acessórios-padrão estão sujeitos a mudanças sem aviso prévio.

ACESSÓRIOS OPCIONAIS (vendidos separadamente)

1. **Lixa**
Grão: #60, #100, #150 (3 tipos)
2. **Lixa (tipo Velcro)**
Grão: #60, #100, #150 (3 tipos)
3. **Suporte (tipo Velcro)**

Os acessórios opcionais estão sujeitos a mudanças sem aviso prévio.

APLICAÇÕES

- Polimento de superfícies de madeira
- Lixamento de superfícies de madeira ou de folhas de metal antes da pintura, etc.

ANTES DA OPERAÇÃO

1. Fonte de energia

Certifique-se de que a fonte de energia a ser utilizada está conforme às exigências especificadas na placa identificadora do produto.

2. Interruptor

Certifique-se de que o interruptor está na posição desligada. Se o plugue estiver conectado a um receptáculo quando o interruptor estiver ligado, a ferramenta elétrica vai começar a operar imediatamente, podendo provocar um grave acidente.

3. Cabo de extensão

Quando o local de trabalho não possuir uma fonte de energia, utilize um cabo de extensão de espessura e de potência nominal suficientes. A extensão deve ser mantida tão curta quanto possível.

4. Instalação da lixa

Alinhe o orifício na base com os orifícios da lixa. Coloque a lixa na base. De seguida, alinhe ambas as extremidades da lixa com a base, ao comprimento, e dobre a lixa (**Fig. 1**).

Alinhe a dobra com a margem da base e agarre um dos lados ao suporte de papel (**Fig. 2**). De seguida, prenda o lado oposto da lixa com o suporte de papel.

CUIDADO

A lixa deve ser instalada com precisão no apoio, garantindo assim que existe uma tensão ampla (não deixando nada frouxo). A lixa instalada de maneira frouxa pode resultar em superfícies lixadas irregularmente e/ou danos à própria lixa.

5. Para prender e remover a bolsa coletora de poeira

- (1) Para prender a bolsa coletora de poeira Como mostra a **Fig. 3**, segure a boca de saída da poeira e empurre-a na direção da Seta A para prendê-la à saída da poeira.
- (2) Remoção da bolsa coletora de poeira Como mostra a **Fig. 3**, segure a boca de saída da poeira e puxe-a na direção da Seta B para retirá-la da saída de poeira.

CUIDADO

Antes da operação de lixagem, verifique o material da superfície que vai lixar.

Se a superfície debaixo da operação de lixagem puder gerar pó perigosos / tóxicos, tais como uma superfície pintada a chumbo, certifique-se de que o saco do pó ou o sistema de extração de pó está bem ligado à saída de pó.

Se disponível, use uma máscara contra pó.

Não respire ou toque nos pó perigosos / tóxicos gerados na operação de lixagem, uma vez que o pó pode colocar a sua saúde, ou a de terceiros, em perigo.

PROCEDIMENTOS PRÁTICOS DE OPERAÇÃO**CUIDADO**

Ao lixar nunca aplique água ou fluido de retificação. Isto pode resultar em choque elétrico.

1. Para ligar e desligar a lixadeira

Pode-se ligar a ferramenta colocando a alavanca em ON (1) e desligar, colocando a alavanca em OFF (0).

CUIDADO

Não ligue nunca a lixadeira quando ela estiver em contato com a superfície a ser lixada. Isto é necessário para excluir danos ao material. O mesmo se aplica ao desligar a ferramenta.

2. Como segurar a lixadeira orbital

Ao mesmo tempo em que segura a caixa, pressione levemente a lixadeira contra a superfície a ser lixada de maneira que a lixa entre em contato uniformemente com a superfície, como mostra a **Fig. 4**. NÃO aplique pressão excessiva à lixadeira enquanto estiver lixando. Uma pressão excessiva pode causar sobrecarga do motor, reduzir a vida útil da lixa e diminuir a eficácia do lixamento ou do polimento.

3. Como movimentar a lixadeira orbital

Para uma eficácia operacional ótima, movimente a lixadeira alternadamente para frente e para trás numa velocidade e equilíbrio constantes.

4. Depois de instalar uma nova lixa

O movimento da lixadeira tende a se tornar instável depois que uma nova lixa é instalada, por causa do novo e grosso grão do papel. Isto pode ser evitado inclinando-se ligeiramente a lixadeira para frente ou para trás durante a operação de lixamento ou de polimento. O movimento da lixadeira vai se tornar estável à medida em que a superfície da lixa se tornar adequadamente desgastada.

5. Utilizar lixa comercial sem orifícios

Adquira lixa 230 x 280 mm e corte em 3 secções de longitude igual (**Fig. 5**).

Antes de o utilizar, faça orifícios na lixa para aumentar a sua capacidade de absorção do pó.

Para fazer os orifícios (perfurações), alinhe a lixa com a guia na chapa de perfuração e aplique pressão (**Fig. 6**).

MONTAGEM DOS ACESSÓRIOS OPCIONAIS**1. Para prender o apoio de esponja (tipo Velcro) ou um apoio auto-adesivo**

Afrouxe os parafusos M4 x 10 (4) e retire o apoio que está preso. Em seguida, prenda um apoio de esponja (tipo Velcro) ou um apoio auto-adesivo.

CUIDADO

Substitua apenas o apoio. Use as outras peças sem as retirar.

2. Prender a lixa de tipo Velcro ou lixa de aderir

Corresponda o furo da lixa com o do apoio e empurre com força a lixa com a palma da sua mão para prendê-la firmemente no lugar.

MANUTENÇÃO E INSPEÇÃO**1. Esvaziamento e limpeza da bolsa coletora de poeira**

Se a bolsa coletora de poeira contiver poeira demais, a coleta de poeira será afetada. Esvazie a bolsa coletora de poeira quando ela ficar cheia.

Retire a bolsa coletora de poeira, abra o fecho e jogue fora o conteúdo dela.

2. Inspeção da lixa

Como o uso de lixa desgastada degrada a eficiência e pode causar danos ao apoio, substitua a lixa tão logo for observado um desgaste excessivo.

3. Inspeção dos parafusos de montagem

Inspeccione regularmente todos os parafusos de montagem e se certifique de que estão corretamente apertados. Se algum deles estiver frouxo, reaperte-o imediatamente. Caso isso não seja feito, pode resultar em perigo grave.

4. Manutenção do motor

A unidade de enrolamento do motor é o verdadeiro "coração" da ferramenta elétrica.

Cuide bem para assegurar que o enrolamento não se danifique e/ou se molhe com óleo ou água.

5. Substituição do cabo de alimentação

Se o cabo de alimentação estiver danificado, a Ferramenta deve ser levada à Oficina Autorizada da HiKOKI para substituição do mesmo.

6. Assistência Técnica

Em caso de falhas na ferramenta elétrica, consulte um Serviço de Assistência Técnica autorizado.

7. Lista de peças para conserto**CUIDADO**

Consertos, modificações e inspeção de Ferramentas Elétricas da HiKOKI devem ser realizados por uma Oficina Autorizada da HiKOKI.

Esta lista de peças pode ser útil se apresentada com a ferramenta na Oficina Autorizada da HiKOKI ao solicitar conserto ou manutenção.

Na operação e na manutenção das ferramentas elétricas, devem-se observar as normas de segurança e os padrões prescritos por cada país.

MODIFICAÇÃO

As Ferramentas Elétricas da HiKOKI estão sempre sendo aperfeiçoadas e modificadas para incorporar os mais recentes avanços tecnológicos.

Dessa forma, algumas peças podem mudar sem aviso prévio.

GARANTIA

Garantimos que a HiKOKI Power Tools obedece às respectivas normas específicas estatutárias/de país. Esta garantia não cobre avarias ou danos derivados de má utilização, abuso ou desgaste normal. Em caso de queixa, envie a Ferramenta, não desmontada, juntamente com o CERTIFICADO DE GARANTIA que se encontra no fundo destas instruções de utilização, para um Centro de Serviço Autorizado HiKOKI.

NOTA

Devido ao contínuo programa de pesquisa e desenvolvimento da HiKOKI, as especificações aqui contidas estão sujeitas a mudanças sem aviso prévio.

Informação a respeito de ruídos e vibração do ar

Os valores medidos foram determinados de acordo com a EN60745 e declarados em conformidade com a ISO 4871.

Nível de potência sonora ponderado A medido: 91 dB (A)

Nível de pressão sonora ponderado A medido: 80 dB (A)

Incerteza K: 3 dB (A).

Use proteção auditiva.

Os valores totais da vibração (soma do vector triax) são determinados de acordo com a norma EN60745.

Lixando uma folha metálica horizontal:

Valor de emissão de vibrações $a_h = 4,0 \text{ m/s}^2$

Incerteza K = 1,5 m/s²

O valor total de vibração declarado foi medido de acordo com um método de teste padrão e pode ser utilizado para comparar ferramentas.

Pode também ser utilizado numa avaliação preliminar de exposição.

AVISO

- O valor de emissão de vibrações durante a utilização da ferramenta elétrica pode ser diferente do valor total declarado, consoante as formas de utilização da ferramenta.
- Identificar as medidas de segurança para proteger o operador, que são baseadas numa estimativa de exposição nas atuais condições de utilização (tendo em conta todas as partes do ciclo de funcionamento, tais como os tempos em que a ferramenta é desligada e quando está a funcionar ao ralenti, além do tempo de acionamento do gatilho).

(Μετάφραση των αρχικών οδηγιών)

ΓΕΝΙΚΕΣ ΠΡΟΕΙΔΟΠΟΙΗΣΕΙΣ ΑΣΦΑΛΕΙΑΣ ΤΟΥ ΗΛΕΚΤΡΙΚΟΥ ΕΡΓΑΛΕΙΟΥ**⚠ ΠΡΟΕΙΔΟΠΟΙΗΣΗ**

Διαβάστε όλες τις προειδοποιήσεις ασφαλείας και όλες τις οδηγίες.

Η μη τήρηση των προειδοποιήσεων και οδηγιών μπορεί να προκαλέσει ηλεκτροπληξία, πυρκαγιά και/ή σοβαρό τραυματισμό.

Φυλάξτε όλες τις προειδοποιήσεις και τις οδηγίες για μελλοντική αναφορά.

Ο όρος «ηλεκτρικό εργαλείο» στις προειδοποιήσεις αναφέρεται στο ηλεκτρικό εργαλείο (με καλώδιο) που λειτουργεί μέσω δικτύου ή στο ηλεκτρικό εργαλείο που λειτουργεί με μπαταρία (χωρίς καλώδιο).

1) Ασφάλεια χώρου εργασίας

a) Διατηρείτε το χώρο εργασίας καθαρό και καλά φωτισμένο.

Σε ακατάστατες ή σκοτεινές περιοχές μπορεί να προκληθούν ατυχήματα.

b) Μην χρησιμοποιείτε τα ηλεκτρικά εργαλεία σε περιβάλλον, στο οποίο μπορεί να προκληθεί έκρηξη, όπως παρουσία εύφλεκτων υγρών, αερίων ή σκόνης.

Τα ηλεκτρικά εργαλεία δημιουργούν σπινθήρες, οι οποίοι μπορεί να προκαλέσουν ανάφλεξη της σκόνης ή του καπνού.

c) Κρατήστε τα παιδιά και τους παρευρισκόμενους μακριά όταν χρησιμοποιείτε ένα ηλεκτρικό εργαλείο.

Αν κάτι σας αποσπάσει την προσοχή σας, υπάρχει κίνδυνος να χάσετε τον έλεγχο.

2) Διακοπή της ασφαλείας

a) Τα φως των ηλεκτρικών εργαλείων πρέπει να είναι κατάλληλα για τις πρίζες.

Μην τροποποιήσετε ποτέ το φως με οποιονδήποτε τρόπο.

Μη χρησιμοποιείτε φως προσαρμογής με γειωμένα ηλεκτρικά εργαλεία.

Τα μη τροποποιημένα φως και οι κατάλληλες πρίζες μειώνουν τον κίνδυνο ηλεκτροπληξίας.

b) Αποφύγετε τη σωματική επαφή με γειωμένες επιφάνειες όπως σωλήνες, calorifέρ, ηλεκτρικές κουζίνες και ψυγεία.

Υπάρχει αυξημένος κίνδυνος ηλεκτροπληξίας όταν το σώμα σας είναι γειωμένο.

c) Μην εκθέτετε τα ηλεκτρικά εργαλεία στη βροχή ή σε συνθήκες υγρασίας.

Το νερό που εισέρχεται σε ένα ηλεκτρικό εργαλείο αυξάνει τον κίνδυνο ηλεκτροπληξίας.

d) Μην κακομεταχειρίζεστε το καλώδιο. Μη χρησιμοποιείτε ποτέ το καλώδιο για να μεταφέρετε, να τραβήξετε ή να βγάλετε από την πρίζα το ηλεκτρικό εργαλείο.

Κρατήστε το καλώδιο μακριά από θερμότητα, λάδι, κοφτερές γωνίες και κινούμενα μέρη.

Τα κατεστραμμένα ή μπερδεμένα καλώδια αυξάνουν τον κίνδυνο ηλεκτροπληξίας.

e) Όταν χρησιμοποιείτε το ηλεκτρικό εργαλείο σε εξωτερικό χώρο, χρησιμοποιήστε καλώδιο προέκτασης κατάλληλο για χρήση σε εξωτερικό χώρο.

Η χρήση ενός καλωδίου κατάλληλου για εξωτερικό χώρο μειώνει τον κίνδυνο ηλεκτροπληξίας.

f) Αν είναι αναπόφευκτη η λειτουργία ενός ηλεκτρικού εργαλείου σε χώρο με υγρασία, χρησιμοποιείτε διάταξη προστασίας ρεύματος διαρροής (RCD).

Η χρήση της RCD μειώνει τον κίνδυνο ηλεκτροπληξίας.

3) Προσωπική ασφάλεια

a) Να είστε σε ετοιμότητα, να έχετε την προσοχή σας στην εργασία που πραγματοποιείτε και να χρησιμοποιείτε την κοινή λογική όταν χρησιμοποιείτε ένα ηλεκτρικό εργαλείο.

Μη χρησιμοποιείτε ηλεκτρικά εργαλεία όταν είστε κουρασμένοι ή υπό την επήρεια ναρκωτικών ουσιών, οινοπνεύματος ή φαρμάκων.

Μια στιγμή απροσεξίας κατά τη χρήση ενός ηλεκτρικού εργαλείου μπορεί να προκαλέσει σοβαρό πραγματικό τραυματισμό.

b) Χρησιμοποιείτε προσωπικό προστατευτικό εξοπλισμό. Φοράτε πάντα εξοπλισμό για την προστασία των ματιών.

Ο προστατευτικός εξοπλισμός, όπως η μάσκα σκόνης, τα αντλιοσθητικά υποδήματα ασφαλείας, το προστατευτικό κράνος ή τα προστατευτικά της ακοής, που χρησιμοποιείται για αναλόγως συνθήκες θα μειώσει τους τραυματισμούς.

c) Αποφεύγετε την ακούσια έναρξη. Βεβαιωθείτε ότι ο διακόπτης είναι σε θέση απενεργοποίησης πριν συνδέσετε τη συσκευή με πηγή ρεύματος και/ή τη θήκη της μπαταρίας, σηκώστε ή μεταφέρετε το εργαλείο.

Η μεταφορά ηλεκτρικού εργαλείου με τα δάχτυλά σας στο διακόπτη ή η ηλεκτροδότηση ηλεκτρικού εργαλείου με ενεργοποιημένο το διακόπτη μπορεί να προκαλέσουν ατυχήματα.

d) Να αφαιρείτε τυχόν κλειδιά ρυθμιζόμενου ανοιγματος ή τα απλά κλειδιά πριν θέσετε σε λειτουργία το ηλεκτρικό εργαλείο.

Ένα απλό κλειδί ή ένα κλειδί ρυθμιζόμενου ανοιγματος που είναι προσαρτημένο σε περιστρεφόμενο εξάρτημα του ηλεκτρικού εργαλείου μπορεί να προκαλέσει προσωπικό τραυματισμό.

e) Μην τεντώνεστε. Να πατάτε σταθερά και να διατηρείτε την ισορροπία σας.

Με αυτόν τον τρόπο μπορείτε να ελέγχετε καλύτερα το ηλεκτρικό εργαλείο σε μη αναμενόμενες καταστάσεις.

f) Να είστε ντυμένοι κατάλληλα. Μη φοράτε φαρδιά ρούχα ή κοσμήματα. Να κρατάτε τα μαλλιά σας, τα ρούχα σας και τα γάντια σας μακριά από κινούμενα μέρη.

Τα φαρδιά ρούχα, τα κοσμήματα και τα μακριά μαλλιά μπορεί να πιαστούν σε κινούμενα μέρη.

g) Αν παρέχονται εξαρτήματα για τη σύνδεση συσκευών εξαγωγής και συλλογής σκόνης, βεβαιωθείτε ότι είναι συνδεδεμένα και χρησιμοποιούνται με το σωστό τρόπο.

Η χρήση συλλέκτη σκόνης μειώνει τους κινδύνους που προκαλούνται λόγω σκόνης.

4) Χρήση και φροντίδα ηλεκτρικών εργαλείων

a) Μην ασκείτε δύναμη στο ηλεκτρικό εργαλείο. Να χρησιμοποιείτε το ηλεκτρικό εργαλείο που είναι κατάλληλο για το είδος της εργασίας που εκτελείτε.

Το κατάλληλο ηλεκτρικό εργαλείο θα εκτελέσει την εργασία καλύτερα και με μεγαλύτερη ασφάλεια με τον τρόπο που σχεδιάστηκε.

- b) Μην χρησιμοποιήσετε το ηλεκτρικό εργαλείο αν ο διακόπτης λειτουργίας δεν ανοίγει και δεν κλείνει.

Ένα ηλεκτρικό εργαλείο που δεν ελέγχεται από το διακόπτη λειτουργίας είναι επικίνδυνο και πρέπει να επισκευαστεί.

- c) Αποσυνδέστε το βύσμα από την πηγή ισχύος και/ή τη θήκη μπαταρίας από το ηλεκτρικό εργαλείο πριν προβείτε σε ρυθμίσεις, αλλαγή εξαρτήματος ή αποθήκευση του ηλεκτρικού εργαλείου.

Αυτά τα προληπτικά μέτρα ασφαλείας μειώνουν τον κίνδυνο λανθασμένης εκκίνησης του ηλεκτρικού εργαλείου.

- d) Αποθηκεύετε τα εργαλεία που δεν χρησιμοποιείτε μακριά από παιδιά και μην αφήνετε τα άτομα που δεν είναι εξοικειωμένα με το ηλεκτρικό εργαλείο ή με αυτές τις οδηγίες να χρησιμοποιούν το ηλεκτρικό εργαλείο.

Τα ηλεκτρικά εργαλεία είναι επικίνδυνα στα χέρια μη εκπαιδευμένων ατόμων.

- e) Πραγματοποιείτε συντήρηση στα ηλεκτρικά εργαλεία. Να ελέγχετε την ευθυγράμμιση τους ή το μπλοκάρισμα των κινούμενων μερών, τη θραύση των εξαρτημάτων και οποιαδήποτε άλλη κατάσταση που ενδέχεται να επηρεάσει τη λειτουργία του ηλεκτρικού εργαλείου.

Σε περίπτωση βλάβης, το ηλεκτρικό εργαλείο πρέπει να επισκευαστεί πριν χρησιμοποιηθεί.

Πολλά ατυχήματα προκαλούνται από ηλεκτρικά εργαλεία που δεν έχουν συντηρηθεί σωστά.

- f) Διατηρείτε τα εργαλεία κοπής κοφτερά και καθαρά.

Τα κατάλληλα συντηρημένα εργαλεία κοπής με κοφτερές άκρες μπλοκάρουν πιο δύσκολα και ελέγχονται πιο εύκολα.

- g) Χρησιμοποιείτε το ηλεκτρικό εργαλείο, τα εξαρτήματα και τα μέρη κ.τ.λ. σύμφωνα με τις παρούσες οδηγίες, λαμβάνοντας υπόψη τις συνθήκες εργασίας και την εργασία που θα εκτελέσετε.

Η χρήση του ηλεκτρικού εργαλείου για εργασίες πέρα από εκείνες για τις οποίες προορίζεται, ενδέχεται να δημιουργήσει κινδύνους.

5) Σέρβις

- a) Να δίνετε το ηλεκτρικό εργαλείο για σέρβις σε κατάλληλα εκπαιδευμένα άτομα και να χρησιμοποιείτε μόνο γνήσια ανταλλακτικά.

Με αυτόν τον τρόπο είστε σίγουροι για την ασφάλεια του ηλεκτρικού εργαλείου.

ΠΡΟΦΥΛΑΞΗ

Μακριά από τα παιδιά και τους αναπήρους.

Όταν δεν χρησιμοποιούνται, τα εργαλεία πρέπει να φυλάσσονται μακριά από τα παιδιά και τα άτομα με αναπηρίες.

ΤΕΧΝΙΚΑ ΧΑΡΑΚΤΗΡΙΣΤΙΚΑ

Τάση (ανά περιοχές)*	(110V, 115V, 120V, 127V, 220V, 230V, 240V) ~
Ισχύς εισόδου	180W*
Ταχύτητα χωρίς φορτίο	10000 min ⁻¹
Μέγεθος προστατευτικού κομματιού γυαλόχαρτου	92 mm x 184 mm
Μέγεθος γυαλόχαρτου	93 mm x 228 mm
Βάρος (χωρίς καλώδιο)	1,3 kg

* Βεβαιωθείτε να ελέγξετε την πινακίδα στο προϊόν επειδή υπόκεινται σε αλλαγή σε εξάρτηση από την περιοχή.

ΚΑΝΟΝΙΚΑ ΕΞΑΡΤΗΜΑΤΑ

- Γυαλόχαρτο 6
 - Κόκκος: #60, #100, #150 2 από το καθένα)
 - Σάκος σκόνης 1
 - Πλάκα διατρύπησης 1
- Τα κανονικά εξαρτήματα μπορούν να αλλάξουν χωρίς προειδοποίηση.

ΠΡΟΑΙΡΕΤΙΚΑ ΕΞΑΡΤΗΜΑΤΑ

(πωλούνται ξεχωριστά)

1. Γυαλόχαρτο

Κόκκος: #60, #100, #150 (3 τύποι)

2. Γυαλόχαρτο (τύπου Velcro)

Κόκκος: #60, #100, #150 (3 τύποι)

3. Προστατευτικό κομμάτι (τύπου Velcro)

Τα προαιρετικά εξαρτήματα υπόκεινται σε αλλαγή χωρίς προειδοποίηση.

ΕΦΑΡΜΟΓΕΣ

- Τελειωτικά λουστραρίσματα επιφανειών ξύλου
- Ξύσιμο επιφανειών ξύλου ή μεταλλικών φύλλων πριν το βάψιμο, κλπ.

ΠΡΙΝ ΤΗ ΛΕΙΤΟΥΡΓΙΑ

1. Πηγή ρεύματος

Βεβαιωθείτε ότι η πηγή ρεύματος που πρόκειται να χρησιμοποιηθεί είναι εναρμονισμένη με τις απαιτήσεις σε ρεύμα που αναφέρεται στην πινακίδα του εργαλείου.

2. Διακόπτης ρεύματος

Βεβαιωθείτε ότι ο διακόπτης ρεύματος βρίσκεται στη θέση OFF. Αν το βίσμα είναι στη μπριζα καθώς ο διακόπτης ρεύματος βρίσκεται στο ON, το εργαλείο θα αρχίσει να λειτουργεί αμέσως, με πιθανότητα πρόκλησης σοβαρού ατυχήματος.

3. Καλώδιο προέκτασης

Όταν ο χώρος εργασίας βρίσκεται μακριά από την παροχή ρεύματος, χρησιμοποιήστε ένα καλώδιο προέκτασης με κατάλληλο πάχος και ικανότητα μεταφοράς ρεύματος. Το καλώδιο προέκτασης πρέπει να είναι τόσο κοντό όσο είναι πρακτικά δυνατό.

4. Τοποθέτηση του γυαλόχαρτου

Ευθυγραμμίστε την οπή στη βάση με τις οπές του γυαλόχαρτου. Τοποθετήστε το γυαλόχαρτο πάνω στη βάση. Κατόπιν ευθυγραμμίστε τις δύο άκρες του γυαλόχαρτου με τη βάση ως προς το πλάτος και διπλώστε το γυαλόχαρτο (**Εικ. 1**).

Ευθυγραμμίστε την πτυχή με την άκρη της βάσης και πιάστε τη μία πλευρά με το εξάρτημα συγκράτησης του χαρτιού (**Εικ. 2**).

Τώρα πιάστε την απέναντι πλευρά του γυαλόχαρτου με το εξάρτημα συγκράτησης του χαρτιού.

ΠΡΟΣΟΧΗ

Το γυαλόχαρτο πρέπει να εγκατασταθεί με ακρίβεια πάνω στο προστατευτικό, εξασφαλίζοντας ότι είναι επαρκώς τεντωμένο (όχι λασκαρισμένο). Το χαλαρά τοποθετημένο γυαλόχαρτο μπορεί να προκαλέσει την μη ομοιόμορφη λείανση των επιφανειών και / ή την ζημιά στο ίδιο το γυαλόχαρτο.

5. Σύνδεση και Αφαίρεση του Σάκου Σκόνης**(1) Σύνδεση του Σάκου Σκόνης**

Όπως φαίνεται στην **Εικ. 3**, κρατήστε την είσοδο της σκόνης και σπρώξτε την μέσα προς την διεύθυνση του Βέλους Α, για να την συνδέσετε στην έξοδο της σκόνης.

(2) Αφαίρεση του Σάκου Σκόνης

Όπως φαίνεται στην **Εικ. 3**, κρατήστε την είσοδο της σκόνης και τραβήξτε την προς την διεύθυνση του Βέλους Β για να την αφαιρέσετε από την έξοδο της σκόνης.

ΠΡΟΣΟΧΗ

Πριν από το τρίψιμο με γυαλόχαρτο, ελέγξτε το υλικό της επιφάνειας που πρόκειται να τριφτεί.

Αν η επιφάνεια για τρίψιμο ενδέχεται να δημιουργήσει επιβλαβή / τοξική σκόνη όπως η επιφάνεια με μολυβδόχο χρώμα, φροντίστε η σακούλα της σκόνης ή το ανάλογο σύστημα εξαγωγής σκόνης να είναι συνδεδεμένο καλά στην έξοδο της σκόνης. Επιπλέον φοράτε τη μασκα σκόνης, αν υπάρχει.

Μην εισπνέετε ή αγγίζετε την επιβλαβή / τοξική σκόνη που παράγεται από το τρίψιμο με γυαλόχαρτο, η σκόνη μπορεί να εκθέσει σε κίνδυνο τη υγεία τη δική σας και των παρευρισκομένων.

ΠΡΑΚΤΙΚΕΣ ΔΙΑΔΙΚΑΣΙΕΣ ΛΕΙΤΟΥΡΓΙΑΣ**ΠΡΟΣΟΧΗ**

Ποτέ να μην βάλετε νερό ή λειαντικό υγρό όταν τριφτεί. Αυτό μπορεί να προκαλέσει ηλεκτροπληξία.

1. Άνοιγμα ON και σβήσιμο OFF του τριβείου

Το ηλεκτρικό ρεύμα μπορεί να ανοίξει βάζοντας τον μοχλό στο ON (1) και να κλείσει βάζοντας το μοχλό στο OFF (0).

ΠΡΟΣΟΧΗ

Ποτέ να μην στρέψετε τον διακόπτη του ρεύματος στο ON όταν το τριβείο βρίσκεται σε επαφή με την επιφάνεια που πρόκειται να τριφτεί. Αυτό είναι απαραίτητο για να αποφευχθεί η ζημιά στο υλικό. Το ίδιο ισχύει και όταν κλείνετε το ρεύμα στο OFF.

2. Πώς να κρατάτε το παλμικό τριβείο

Καθώς κρατάτε το περιβλήμα του, ελαφρά πιέστε το τριβείο πάνω στην επιφάνεια που πρόκειται να τριφτεί έτσι ώστε το γυαλόχαρτο να εφάπτεται ομοιόμορφα στην επιφάνεια, όπως φαίνεται στην **Εικ. 4**. ΜΗΝ

εφαρμόσετε εξαιρετική δύναμη στο τριβείο κατά την λείανση. Η υπερβολική δύναμη μπορεί να προκαλέσει υπερφόρτιση στο μοτέρ, σμίκρυνση του χρόνου ζωής του γυαλόχαρτου, και χαμηλότερη ικανότητα τριψίματος ή λουστραρίσματος.

3. Πώς να κινείται το παλμικό τριβείο

Για τη βέλτιστη λειτουργική ικανότητα, μετακινείτε το τριβείο εναλλακτικά εμπρός και πίσω σε μια σταθερή ταχύτητα και ισορροπία.

4. Μετά την τοποθέτηση του καινούργιου γυαλόχαρτου

Η κίνηση του τριβείου μπορεί να είναι μη ασταθής μετά την τοποθέτηση ενός καινούργιου γυαλόχαρτου, εξαιτίας του καινούργιου και τραχύ κόκκου του γυαλόχαρτου. Αυτό μπορεί να αποφευχθεί με το να γείρετε ελαφρά το τριβείο εμπρός ή πίσω κατά το τρίψιμο ή το λουστράρισμα. Η κίνηση του τριβείου θα γίνει σταθερή καθώς η επιφάνεια του γυαλόχαρτου αποκτήσει το κατάλληλο ζύσιμο.

5. Χρήση εμπορικά διαθέσιμου γυαλόχαρτου χωρίς οπές

Πάρτε ένα γυαλόχαρτο 230 x 280 mm και κόψτε το σε 3 επιμήκη και ίσα τμήματα (**Εικ. 5**).

Πριν από τη χρήση, κάντε οπές στο γυαλόχαρτο για να ενισχύσετε τη δυνατότητά του να απορροφά τη σκόνη.

Για να κάνετε τις οπές (διατρήσεις), ευθυγραμμίστε το γυαλόχαρτο με τον οδηγό στην πλάκα διατρήτησης και εφαρμόστε πίεση (**Εικ. 6**).

**ΣΤΕΡΕΩΣΗ ΤΩΝ ΠΡΟΑΙΡΕΤΙΚΩΝ
ΕΞΑΡΤΗΜΑΤΩΝ**

1. Σύνδεση του Σπογγώδες Προστατευτικού (τύπος Velcro) ή του Κολλητικού Προστατευτικού
Ξεσφίξτε τις M4 x 10 βίδες (4) και αφαιρέστε το συνδεδεμένο προστατευτικό. Μετά, συνδέστε το σπογγώδες προστατευτικό (τύπος Velcro) ή του Κολλητικού Προστατευτικού.

ΠΡΟΣΟΧΗ

Αντικαταστήστε το προστατευτικό μόνο. Χρησιμοποιήστε τα άλλα εξαρτήματα χωρίς να τα αφαιρέσετε.

2. Τοποθέτηση γυαλόχαρτου τύπου Velcro ή γυαλόχαρτου κολλητικού τύπου

Ταιριάστε την τρύπα του γυαλόχαρτου με την τρύπα του προστατευτικού και σπρώξτε γερά το γυαλόχαρτο με την παλάμη του χεριού σας για το στερεώσετε γερά στην θέση του.

ΣΥΝΤΗΡΗΣΗ ΚΑΙ ΕΛΕΓΧΟΣ**1. Άδειασμα και καθάρισμα του Σάκου Σκόνης**

Αν ο σάκος σκόνης περιέχει πάρα πολύ σκόνη, η συλλογή σκόνης θα επηρεαστεί. Αδειάστε το σάκο σκόνης όταν γεμίσει.

Αφαιρέστε το σάκο σκόνης και ανοίξτε το μάνδαλο, και πετάξτε το περιεχόμενο.

2. Έλεγχος του γυαλόχαρτου

Επειδή η χρήση ενός φθαρμένου γυαλόχαρτου θα ελαττώσει την απόδοση και θα προκαλέσει την πιθανή ζημιά στο προστατευτικό, αντικαταστήστε το γυαλόχαρτο όταν παρατηρηθεί υπερβολική φθορά.

3. Έλεγχος των βιδών στερέωσης

Ελέγχετε περιοδικά όλες τις βίδες στερέωσης και βεβαιωθείτε ότι είναι κατάλληλα σφιγμένες. Στην περίπτωση που χαλαρώσει οποιαδήποτε βίδα σφίξτε την ξανά αμέσως. Αν δεν το κάνετε αυτό μπορεί να έχει ως αποτέλεσμα το σοβαρό τραυματισμό.

4. Συντήρηση του μοτέρ

Η περιέλιξη της μονάδα του μοτέρ είναι η καρδιά του ηλεκτρικού εργαλείου.

Δώστε μεγάλη προσοχή για να σιγουρευτείτε ότι η περιέλιξη δεν θα πάθει ζημιά και / ή θα βρεχθεί με λάδι ή νερό.

5. Αντικατάσταση του καλωδίου παροχής ρεύματος

Αν το καλώδιο παροχής ρεύματος του Εργαλείου πάθει ζημιά, το Εργαλείο πρέπει να επιστραφεί στο Εξουσιοδοτημένο Κέντρο Σέρβις της HiKOKI για να αντικατασταθεί.

6. Σέρβις

Συμβουλευτείτε έναν εξουσιοδοτημένο Αντιπρόσωπο Σέρβις στην περίπτωση βλάβης του ηλεκτρικού εργαλείου.

7. Λίστα συντήρησης των μερών ΠΡΟΣΟΧΗ

Η επισκευή, η τροποποίηση και ο έλεγχος των Ηλεκτρικών Εργαλείων HiKOKI πρέπει να γίνεται από ένα Εξουσιοδοτημένο κέντρο σέρβις της HiKOKI.

Αυτή η λίστα των Μερών θα είναι χρήσιμη αν παρουσιαστεί μαζί με το εργαλείο στο εξουσιοδοτημένο Κέντρο Σέρβις της HiKOKI όταν ζητάτε επισκευή ή κάποια άλλη συντήρηση.

Κατά τον έλεγχο και τη συντήρηση των ηλεκτρικών εργαλείων, οι κανόνες ασφαλείας και οι κανονισμοί που υπάρχουν σε κάθε χώρα πρέπει να ακολουθούνται.

ΤΡΟΠΟΠΟΙΗΣΗ

Τα Ηλεκτρικά Εργαλεία HiKOKI βελτιώνονται συνεχώς και τροποποιούνται για να συμπεριλάβουν τις τελευταίες τεχνολογικές προόδους.

Κατά συνέπεια, ορισμένα τμήματα μπορούν να αλλάξουν χωρίς προηγούμενη ειδοποίηση.

ΕΓΓΥΗΣΗ

Εγγυώμαστε τα εργαλεία HiKOKI Power Tools σύμφωνα με τη νομοθεσία και τους κανονισμούς ανά χώρα. Η παρούσα εγγύηση δεν καλύπτει ελαττώματα ή ζημιές λόγω κακής χρήσης, κακοποίησης ή φυσιολογικής φθοράς. Σε περίπτωση παραπόνων παρακαλούμε αποστείλετε το Power Tool χωρίς να αποσυναρμολογήσετε μαζί με το ΠΙΣΤΟΠΟΙΗΤΙΚΟ ΕΓΓΥΗΣΗΣ το οποίο βρίσκεται στο τέλος των οδηγιών αυτών, σε Εξουσιοδοτημένο Κέντρο Επισκευής της HiKOKI.

ΣΗΜΕΙΩΣΗ

Εξαιτίας του συνεχιζόμενου προγράμματος έρευνας και ανάπτυξης της HiKOKI τα τεχνικά χαρακτηριστικά που εδώ αναφέρονται μπορούν να αλλάξουν χωρίς προηγούμενη ειδοποίηση.

Πληροφορίες που αφορούν τον εκπεμπόμενο θόρυβο και τη δόνηση

Οι τιμές μετρήθηκαν σύμφωνα με το EN60745 και βρέθηκαν σύμφωνες με το ISO 4871.

Μετρηθείσα στάθμη ηχητικής ισχύος A: 91 dB (A).
Μετρηθείσα στάθμη ηχητικής πίεσης A: 80 dB (A).
Αβεβαιότητα K: 3 dB (A).

Φοράτε προστατευτικά αυτιών.

Συνολικές τιμές δόνησης (διανυσματικό άθροισμα τριαξονικού καλωδίου) που καθορίζονται σύμφωνα με το πρότυπο EN60745

Λείανση μιας οριζόντιας ασφάλινης πλάκας:

Τιμή εκπομπής δόνησης $a_h = 4,0 \text{ m/s}^2$

Αβεβαιότητα K = 1,5 m/s^2

Η εγκεκριμένη συνολική τιμή των δονήσεων έχει μετρηθεί σύμφωνα με μια σταθερή μέθοδο ελέγχου και μπορεί να χρησιμοποιηθεί για τη σύγκριση ενός εργαλείου με κάποιο άλλο.

Μπορεί επίσης να χρησιμοποιηθεί σε μια προκαταρκτική εκτίμηση έκθεσης.

ΠΡΟΕΙΔΟΠΟΙΗΣΗ

○ Η εκπομπή δονήσεων κατά την πραγματική χρήση του εργαλείου μπορεί να διαφέρει από την εγκεκριμένη συνολική τιμή και να εξαρτάται από τους τρόπους με τους οποίους χρησιμοποιείται το εργαλείο.

○ Καθορίστε μέτρα ασφαλείας για την προστασία του χειριστή που βασίζονται σε μια εκτίμηση της έκθεσης στις πραγματικές συνθήκες χρήσης (λαμβάνοντας υπόψη όλα τα μέρη του κύκλου λειτουργίας όπως τον χρόνο που το εργαλείο είναι κλειστό και το διάστημα όπου είναι ανενεργό επιπρόσθετα στον χρόνο εκκίνησης).

GENEL ELEKTRİKLİ ALET GÜVENLİK UYARILARI

⚠ UYARI

Tüm güvenlik uyarılarını ve tüm talimatları okuyun. Uyarılara ve talimatlara uyulmaması elektrik çarpmasına, yangına ve/veya ciddi yaralanmaya neden olabilir.

Bu kılavuzu gelecekte başvurmak üzere saklayın.

Uyarılarda kullanılan "elektrikli alet" terimi, şebeke elektrikle çalışın (kablolu) veya pille çalışın (kablesiz) elektrikli aletinizi belirtir.

1) Çalışma alanının güvenliği

- Çalışma alanını iyi aydınlatılmış ve temiz tutun.**
Dağınık veya karanlık alanlar kazalara davetiye çıkarır.
- Elektrikli aletleri yanıcı sıvı, gaz veya toz gibi patlayıcı maddelerin bulunduğu ortamlarda çalıştırmayın.**
Elektrikli aletlerin çıkardığı kıvılcımlar toz veya gaz halindeki bu maddeleri ateşleyebilir.
- Bir elektrikli aletle çalışırken çocukları ve izleyicileri uzaklaştırın.**
Dikkatinizi dağılması kontrolü kaybetmenize neden olabilir.

2) Elektrik güvenliği

- Elektrikli aletin fişi elektrik prizine uygun olmalıdır.**
Fiş üzerinde herhangi bir değişiklik yapmayın. Topraklanmış elektrikli aletlerle herhangi bir adaptör kullanmayın.
Fişlerde değişiklik yapılmaması ve uygun prizlerde kullanılması elektrik çarpması riskini azaltacaktır.
- Borular, radyatörler, fırınlar ve buzdolapları gibi topraklanmış yüzeylerle vücut temasından kaçının.**
Vücudunuzun toprakla temasa geçmesi halinde elektrik çarpması riski artar.
- Elektrikli aletleri yağmura veya ıslak ortamlara maruz bırakmayın.**
Elektrikli alete su girmesi elektrik çarpması riskini artıracaktır.
- Elektrik kablosuna zarar vermeyin. Elektrikli aleti taşımak, çekmek veya fişini prizden çıkarmak için asla kabloyu kullanmayın.**
Kabloyu ısıdan, yağdan, keskin kenarlardan veya hareketli parçalardan uzak tutun.
Hasar görmüş veya dolaşmış kablolar elektrik çarpması riskini artırır.
- Elektrikli aleti açık alanda kullanırken, açık alanda kullanıma uygun bir uzatma kablosu kullanın.**
Açık alanda kullanıma uygun bir kablo kullanılması elektrik çarpması riskini azaltır.
- Eğer bir elektrikli aletin ıslak bir yerde kullanılmasına kaçınılmaz ise, artık akım cihazıyla (RCD) korunan bir güç kaynağı kullanın.**
RCD kullanılması elektrik çarpması riskini azaltır.

3) Kişisel güvenlik

- Bir elektrikli alet kullanırken daima tetikte olun;** yaptığınızı işi izleyin ve sağduyulu davranın. Aleti yorgunken, alkol veya ilaç etkisi altındayken kullanmayın.
Elektrikli aletleri kullanırken göstereceğiniz bir anlık dikkatsizlik ciddi yaralanmaya sonuçlanabilir.

- Kişisel koruyucu donanım kullanın. Daima koruyucu gözlük takın.**
Uygun koşullar için kullanılan toz maskesi, kaymaz emniyet ayakkabıları, kask veya kulak koruyucu gibi koruyucu ekipmanlar yararlanmaları azaltacaktır.
 - Aletin istenmeden çalışmasını engelleyin. Aleti güç kaynağına ve/veya akü ünitesine bağlamadan, kaldırmadan veya taşımadan önce, güç düğmesinin kapalı konumunda olduğundan emin olun.**
Elektrikli aletleri parmağınızın güç düğmesinin üzerinde olarak taşımamız veya güç düğmesi açılmış durumda fişini takmamız kazalara davetiye çıkarır.
 - Elektrikli aletin gücünü açmadan önce alet üzerindeki ayar veya somun anahtarlarını çıkarın.**
Aletin dönen parçalarından birine bağlı kalan bir somun anahtarı veya ayar anahtarı yaralanmaya yol açabilir.
 - Çok uzanmayın. Uygun bir adım mesafesi bırakın ve sürekli olarak dengenizi koruyun.**
Böylece, beklenmedik durumlarda aleti daha iyi kontrol etmeniz mümkün olur.
 - Uygun şekilde giyinin. Bol elbiseler giymeyin ve takı takmayın. Saçlarınızı, elbislerinizi ve eldivenlerinizi hareketli parçalardan uzak tutun.**
Bol elbiseler, takılar veya uzun saçlar hareketli parçalara takılabilir.
 - Eğer toz çekme ve toplama bağlantıları için gerekli aygıtlar sağlanmışsa, bunların bağlı olduğundan ve doğru şekilde kullanıldığından emin olun.**
Toz toplama kullanımı tozla ilişkili tehlikeleri azaltabilir.
- ### 4) Elektrikli aletin kullanımı ve bakımı
- Elektrikli aleti zorlamayın. Uygulamanız için doğru alet kullanın.**
Doğru alet, işinizi daha iyi ve tasarlanmış olduğu hız değerinde daha güvenli şekilde yapacaktır.
 - Elektrikli alet güç düğmesinden açılıp kapanmıyorsa, aleti kullanmayın.**
Güç düğmesiyle kontrol edilemeyen bir alet tehlikelidir ve tamir edilmeden kullanılmamalıdır.
 - Herhangi bir ayar yapmadan, aksesuarları değiştirmeden veya aleti saklamadan önce fişi güç kaynağından ve/veya akü ünitesinden sökün.**
Bu koruyucu güvenlik önlemleri, elektrikli aletin kazayla çalışma riskini azaltır.
 - Atıl durumdaki elektrikli aletleri çocukların ulaşamayacağı bir yerde saklayın ve elektrikli alet ve bu kullanım talimatları hakkında bilgi sahibi olmayan kişilerin aleti kullanmasına izin vermeyin.**
Elektrikli aletler eğitimsiz kullanıcıların elinde tehlikelidir.
 - Elektrikli aletlerin bakımını yapın. Hareketli parçalarda yanlış hizalanma veya sıkışma olup olmadığını, kırık parça olup olmadığını ve elektrikli aletin çalışmasını etkileyebilecek diğer koşulları kontrol edin.**
Eğer hasar varsa, kullanmadan önce aleti tamir ettirin.
Kazaların çoğu elektrikli aletlere kötü bakım işlemleri uygulanmasından kaynaklanmaktadır.

f) Aletleri keskin ve temiz tutun.

Uygun şekilde bakımı yapılan, keskin kenarlara sahip aletlerin sıkışma ihtimali daha azdır ve kontrol edilmesi daha kolaydır.

g) Elektrikli aleti, aksesuarları, uçları, v.b., bu talimatlara uygun şekilde, çalışma koşullarını ve yapılacak işi göz önünde bulundurarak kullanın.

Elektrikli aletin amaçlanan kullanımlardan farklı işlemler için kullanılması tehlikeli bir duruma yol açabilir.

5) Servis

a) Elektrikli aletinizin servisini sadece orijinal yedek parçalar kullanmak suretiyle uzman bir tamirciye yaptırın.

Böylece, elektrikli aletin güvenli kullanımı sağlanacaktır.

ÖNLEM

Çocukları ve akli dengesi yerinde olmayan kişileri uzak tutun.

Alet, kullanılmadığı zamanlarda çocukların ve akli dengesi yerinde olmayan kişilerin ulaşamayacağı bir yerde saklanmalıdır.

TEKNİK ÖZELLİKLER

Voltaaj (bölgelere göre)*	(110V, 115V, 120V, 127V, 220V, 230V, 240V) ~
Güç girişi	180W*
Yüksüz hız	10000 dak-1
Zımpara pedi ölçüleri	92 mm x 184 mm
Zımpara kağıdı ölçüleri	93 mm x 228 mm
Ağırlığı (kordonsuz)	1,3 kg

* Bu değer bölgeden bölgeye değişiklik gösterdiği için ürünün üzerindeki plakayı kontrol etmeyi unutmayın.

STANDART AKSESUARLAR

- Zımpara kağıdı.....6
(Kum: #60, #100, #150 her birinden 2 tane)
 - Toz torbası.....1
 - Taban levhası.....1
- Standart aksesuarlarda önceden bildirimde bulunulmadan değişiklik yapılabilir.

İSTEĞE BAĞLI AKSESUARLAR (ayrıca satılır)

1. Zımpara kağıdı
Kum: #60, #100, #150 (3 tip)
2. Zımpara kağıdı (Magic tipi)
Kum: #60, #100, #150 (3 tip)
3. Ped (Magic tipi)
İsteğe bağlı aksesuarlarda önceden bildirimde bulunulmadan değişiklik yapılabilir.

UYGULAMALAR

- Ahşap yüzeylerin rötuş perdahlamasında
- Boya vb. yapmadan önce ahşap veya metal saç levha yüzeylerinin zımparalanması

ALETİ KULLANIM ÖNCESİNDE

1. Güç Kaynağı
Kullanacağınız güç kaynağının, aletin etiketinde belirtilen elektrik gereklerine uygun olduğundan emin olun.
2. Güç şalteri
Güç şalterinin OFF konumunda olduğundan emin olun. şalter ON konumundayken güç kaynağına bağlanan alet hemen çalışmaya başlayarak ciddi bir kazaya neden olabilir.

3. Uzatma Kablosu

Çalışma yeri güç kaynağına uzak olduğunda, yeterli kalınlık ve kapasiteye sahip bir uzatma kablosu kullanın. Uzatma kablosu mümkün olduğunca kısa tutulmalıdır.

4. Zımpara kağıdının takılması

Tabanın üzerindeki deliği zımpara kağıdının delikleriyle hizalayın. Zımpara kağıdını tabanın üzerine yerleştirin. Sonra zımpara kağıdının her iki ucunu taban ile enlemesine hizalayın ve zımpara kağıdını katlayın (Şekil. 1).

Kıvrımı tabanın köğelerine gelecek şekilde hizalayın ve bir ucunu kağıt tutucusuyla tutun (Şekil. 2).

Şimdi de kağıt tutucusuyla zımpara kağıdının öbür ucunu tutun.

DIKKAT

Zımpara kağıdı pedin üzerine tam olarak yeterli gerginlikle (hiç boşluk bırakmadan) dikkatlice yerleştirilmelidir. Gevşek takılmış zımpara kağıtları düzensiz zımparalanmaya ve/veya zımpara kağıdının hasar görmesine yol açabilir.

5. Toz Torbasının Takılması ve Çıkarılması

- (1) Toz Torbasının Takılması
Şekil. 3'de gösterildiği gibi toz kapağını kaldır ve torbayı A ok yönüne doğru iterek, toz çıkışının üzerine oturtun.
- (2) Toz Torbasının Çıkarılması
Şekil. 3'de gösterildiği gibi toz kapağını kaldır ve torbayı B ok yönüne doğru çekerek, toz çıkışından çıkar.

DIKKAT

Zımpara işlemine başlamadan önce zımpara yapacağınız yüzeyi kontrol edin.

Eğer zımpara yapacağınız yüzey, kurşunlu boyayla kaplı yüzeyler gibi zararlı veya zehirli olabilecek toz yaratırsa, toz torbasının veya uygun toz çekme sisteminin toz çıkışına sıkıca bağlı olduğundan emin olun.

Ayrıca eğer mevcutsa toz maskesi takın.

Zımpara işleminin yaratacağı zararlı veya zehirli tozları teneffüs etmeyin veya dokunmayın. Bu toz sizin veya etrafınızdakilerin sağlığını tehdit edebilir.

ÇALIŞIRKEN DİKKAT EDİLECEK HUSUSLAR

DİKKAT

Hiçbir zaman zımpara yaparken su veya benzeri zımpara sıvısı eklemeyin. Aksi takdirde elektrik çarpması olabilir.

1. Zımparayı AÇMA ve KAPAMA

Güç anahtarını ON (1) konumuna getirilerek alet çalıştırılabilir ve OFF (0) konumuna çevirince alet durur.

DİKKAT

Alet, zımpara yapılan yüzeye temas halindeyken güç anahtarını ON konumuna çevirmeyiniz. Bu malzemenin zarar görmesini engellemek için gereklidir. Aynı durum, güç anahtarının OFF konumuna getirilmesi için de geçerlidir.

2. Titreşimli zımparayı tutuş

Aletin muhafazasını Şekil. 4'de gösterildiği gibi zımpara yapılacak yüzeye hafifçe bastırarak, zımpara kağıdının hepsi aynı anda yüzeye dokunacak konumda tutun. Zımparalama sırasında KESİNLİKLE aşırı kuvvet uygulamayın. Aşırı kuvvet uygulanması, motorun zorlanmasına; zımpara kağıdı hizmet ömrünün kısılmasına ve zımpara veya parlatma verimliliğinin düşmesine neden olur.

3. Titreşimli zımparayı işletim

En uygun işletim verimliliği için zımparayı ileri ve geriye sabit bir hız ve dengede çalıştırın.

4. Yeni zımpara kağıdı taktıktan sonra

Yeni zımpara kağıdı taktıktan sonra zımparanın titresemi düzensiz olabilir. Bunun nedeni yeni zımpara kağıdının yeni ve kaba kum içermesidir. Sakınmak için, zımpara veya parlatma işlemi sırasında aleti hafif bir şekilde ileri veya geri eğik konumda kullanmak gerekir. Zımpara kağıdının yüzeyi düzenli bir şekilde aşındığında aletin titresemi düzene girer.

5. Endüstriyel tip deliksiz zımpara kağıdı kullanımı

230 x 280 mm boyutlarında bir zımpara kağıdının uzunlaşmasına 3 eği parçaya kesin (Şekil. 5). Kullanımdan önce toz çekme/emme verimini artırmak için zımpara kağıdının üzerinde delikler açın. Delik açmak (perforasyon) için, aksesuar olarak gelen taban levhasının üzerinde zımpara kağıdı ile kılavuzu hizalayın ve üzerine baskı uygulayın (Şekil. 6).

İSTEĞE BAĞLI AKSESUARLAR TAKILMASI

1. Sünger ped (Magic tipi) veya yapışkan ped takılması

4 adet M4 x 10 tipi vidayı gevşeterek takılı olan pedi çıkarın. Sonra sünger zımpara (Magic tipi) veya yapışkan pedi takın.

DİKKAT

Sadece pedi değiştirin. Öbür parçaları çıkartmayın.

2. Magic tipi zımpara kağıdı veya yapışkan tip zımpara kağıdının takılması

Zımpara kağıdının deliği ile ped deliğini birbirlerine eşleştir ve avuç içiyle sıkıca bastırarak güvenli şekilde yerine oturtun.

BAKIM VE İNCELEME

1. Toz Torbasının Boşaltılması ve Temizlenmesi

Toz torbası çok fazla talaşla doluysa, toz emme işlevi etkilenebilir. Dolduğunda toz torbasını boşaltın.

Toz torbasını çıkar, bağlayıcı fermuarını aç ve içersindeki boşalt.

2. Zımpara kağıdının incelenmesi

Aşınmış zımpara kağıtları alete zarar verebilecek veya verimi düşüreceğinden, aşırı aşınma görünür görünmez zımpara kağıtları değiştirilmelidir.

3. Montaj vidalarının incelenmesi

Tüm montaj vidalarını düzenli olarak inceleyin ve sağlam şekilde sıkılı olduğunda emin olun. Gevşeyen vidaları derhal sıkın. Gevşemiş vidalar ciddi tehlikelere yol açabilir.

4. Motorun incelenmesi

Motor biriminin sargıları, bu ağır iş aletin "kalbidir". Sargının hasar görmediğinden ve/veya yağ ya da su ile ıslanmadığından emin olun.

5. Güç kablosunun değişimi

Eğer cihazın güç kablosu hasarlı ise, güç kablosu değişimi için cihaz HiKOKI Yetkili Servis Merkezine geri gönderilmelidir.

6. Servis

Aletinizin arıza yapması durumunda yetkili bir Servis Temsilcisine başvurunuz.

7. Servis parçaları listesi

DİKKAT

HiKOKI Ağır İş Aletlerinin bakımı, değiştirilmesi ve incelenmesi, HiKOKI Yetkili Servis Merkezlerinde gerçekleştirilmelidir.

Bu Parça Listesi, tamir veya herhangi başka bir bakım gerektiğinde HiKOKI Yetkili Servis Merkezine çok yardımcı olur.

Ağır iş aletlerinin kullanımı ve bakımı konusunda her ülkede yürürlükte olan güvenlik düzenlemelerine ve standartlarına uygun davranılmalıdır.

DEĞİŞİKLİKLER

HiKOKI Ağır İş Aletleri en son teknolojik ilerlemelere uygun olarak sürekli değiştirilmekte ve geliştirilmektedir. Dolayısıyla, bazı kısımlarda (örneğin kod numaraları ve/veya tasarım gibi) önceden bildirilmeden bulunulmadan değişiklik yapılabilir.

GARANTİ

HiKOKI Elektrikli El Aletlerine, yasalar/ülkelere özgü mevzuatlar çerçevesinde garanti veriyoruz. Bu garanti, yanlış veya kötü kullanımdan veya normal aşınma ve yıpranmadan kaynaklanan arıza ve hasarları kapsamamaktadır. Şikayet durumunda, lütfen Elektrikli El Aletini, sökülmemiş şekilde, bu Kullanım Kılavuzu'nun sonunda bulunan GARANTİ BELGESİYLE birlikte bir HiKOKI Yetkili Servis Merkezi'ne gönderin.

NOT

HiKOKI'nin süregelen araştırma ve geliştirme programına bağlı olarak burada belirtilen teknik özelliklerde önceden bildirimde bulunulmadan değişiklik yapılabilir.

Havadan yayılan gürültü ve titreşimle ilgili bilgiler

Ölçülen değerler EN60745'e göre belirlenmiş ve ISO 4871'e göre beyan edilmiştir.

Ölçülmüş A-ağırlıklı ses gücü seviyesi: 91 dB (A)
Ölçülmüş A-ağırlıklı ses basıncı seviyesi: 80 dB (A)
Belirsizlik K: 3 dB (A).

Kulak koruyucu takın.

EN60745'e göre belirlenen toplam vibrasyon değerleri (üç eksenli vektör toplamı).

Bir yatay çelik plakanın zımparalanması:
Vibrasyon emisyon değeri $a_h = 4,0 \text{ m/s}^2$
Belirsizlik K = 1,5 m/s^2

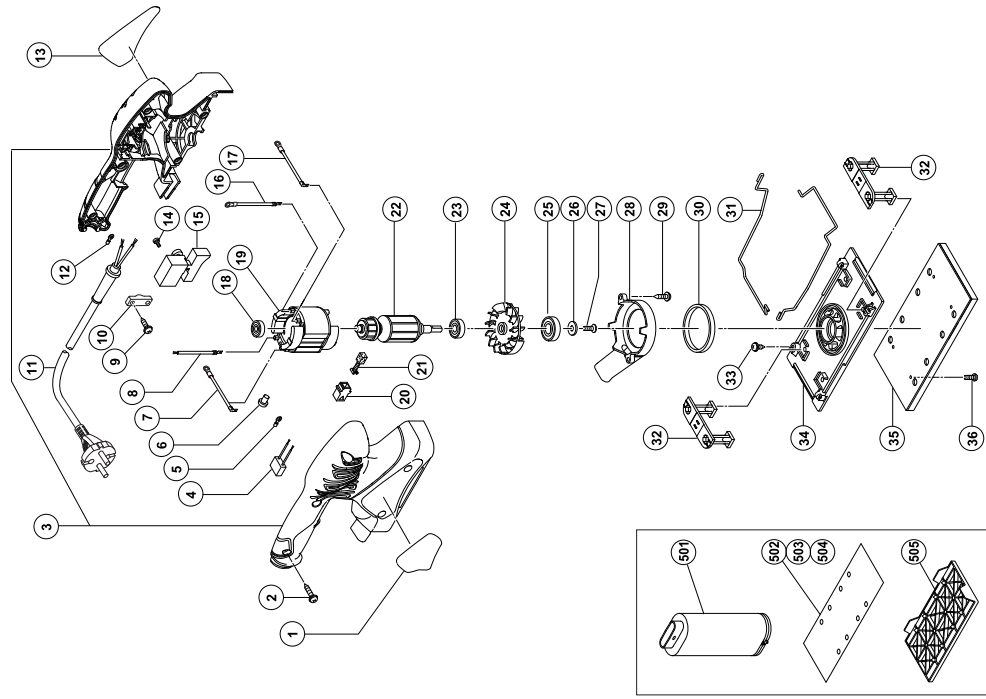
Beyan edilen toplam vibrasyon değeri standart bir test yöntemine göre ölçülmüştür ve bir aleti diğeriyle karşılaştırmak için kullanılabilir.

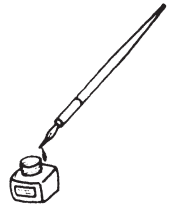
Aynı zamanda, bir ön maruz kalma değerlendirme olarak da kullanılabilir.

UYARI

- Elektrikli aletin gerçek kullanımı sırasındaki titreşim emisyonu, aletin kullanma şekline bağlı olarak beyan edilen toplam değerden farklılık gösterebilir.
- Gerçek kullanım koşullarındaki maruz kalma değerlendirmesini esas alarak kullanıcıyı koruyacak güvenlik önlemlerini belirleyin (kullanım süresine ilave olarak aletin kapatıldığı ve rölantide çalıştığı zamanlarda çalışma çevriminde yer alan tüm parçaları dikkate alarak).

Item No.	Part Name	Q'TY
1	Name Plate	1
2	Tapping Screw (W/Flange) D4x20	5
3	Housing (A) (B) Set	1
4	Noise Suppressor	1
5	Terminal	1
6	Connector	1
7	Internal Wire	1
8	Internal Wire	1
9	Tapping Screw (W/Flange) D4x16	2
10	Cord Clip	1
11	Cord	1
12	Terminal (A) M3.5	1
13	BRAND Label	1
14	Machine Screw (W/Washer) M3.5x6	2
15	Trigger Switch	1
16	Internal Wire	1
17	Internal Wire	1
18	Ball Bearing 626VVC2PS2L	1
19	Stator	1
20	Brush Holder	2
21	Carbon Brush	2
22	Armature	1
23	Ball Bearing 608VVC2PS2L	1
24	Barance Fan	1
25	Ball Bearing 6001VVCMP2SL	1
26	Washer	1
27	Seal Lock Flat Hd. Screw M4x12	1
28	Fan Guide	1
29	Tapping Screw (W/Flange) D4x16	2
30	Felt	1
31	Paper Holder	2
32	Leg	2
33	Tapping Screw (W/Flange) D4x10	2
34	Base	1
35	Pad (W/Hole)	1
36	Machine Screw M4x10	4
501	Dust Bag	1
502	Sanding Paper 93x228 G60	2
503	Sanding Paper 93x228 G100	2
504	Sanding Paper 93x228 G150	2
505	Punch Plate	1





<p>English</p> <p>GUARANTEE CERTIFICATE</p> <p>① Model No. ② Serial No. ③ Date of Purchase ④ Customer Name and Address ⑤ Dealer Name and Address (Please stamp dealer name and address)</p>	<p>Español</p> <p>CERTIFICADO DE GARANTÍA</p> <p>① Número de modelo ② Número de serie ③ Fecha de adquisición ④ Nombre y dirección del cliente ⑤ Nombre y dirección del distribuidor (Se ruega poner el sello del distribuidor con su nombre y dirección)</p>
<p>Deutsch</p> <p>GARANTIESCHEIN</p> <p>① Modell-Nr. ② Serien-Nr. ③ Kaufdatum ④ Name und Anschrift des Kunden ⑤ Name und Anschrift des Händlers (Bitte mit Namen und Anschrift des Handlers abstempeln)</p>	<p>Português</p> <p>CERTIFICADO DE GARANTIA</p> <p>① Número do modelo ② Número do série ③ Data de compra ④ Nome e morada do cliente ⑤ Nome e morada do distribuidor (Por favor, carimbe o nome e morada do distribuidor)</p>
<p>Français</p> <p>CERTIFICAT DE GARANTIE</p> <p>① No. de modèle ② No de série ③ Date d'achat ④ Nom et adresse du client ⑤ Nom et adresse du revendeur (Cachet portant le nom et l'adresse du revendeur)</p>	<p>Ελληνικά</p> <p>ΠΙΣΤΟΠΟΙΗΤΙΚΟ ΕΓΓΥΗΣΗΣ</p> <p>① Αρ. Μοντέλου ② Αύξων Αρ. ③ Ημερομηνία αγοράς ④ Όνομα και διεύθυνση πελάτη ⑤ Όνομα και διεύθυνση μεταπωλητή (Παρακαλούμε να χρησιμοποιηθεί σφραγίδα)</p>
<p>Italiano</p> <p>CERTIFICATO DI GARANZIA</p> <p>① Modello ② N° di serie ③ Data di acquisto ④ Nome e indirizzo dell' acquirente ⑤ Nome e indirizzo del rivenditore (Si prega di apporre il timbro con questi dati)</p>	<p>Türkçe</p> <p>GARANTİ SERTİFİKASI</p> <p>① Model No. ② Seri No. ③ Satın Alma Tarihi ④ Müşteri Adı ve Adresi ⑤ Bayi Adı ve Adresi (Lütfen bayi adını ve adresini kaşe olarak basın)</p>
<p>Nederlands</p> <p>GARANTIEBEWIJS</p> <p>① Modelnummer ② Serienummer ③ Datum van aankoop ④ Naam en adres van de gebruiker ⑤ Naam en adres van de handelaar (Stempel a.u.b. naam en adres vande de handelaar)</p>	

HIKOKI

①	
②	
③	
④	
⑤	



Hikoki Power Tools Deutschland GmbH

Siemensring 34, 47877 Willich, Germany
Tel: +49 2154 49930
Fax: +49 2154 499350
URL: <http://www.hikoki-powertools.de>

Hikoki Power Tools Netherlands B.V.

Brabanthaven 11, 3433 PJ Nieuwegein, The Netherlands
Tel: +31 30 6084040
Fax: +31 30 6067266
URL: <http://www.hikoki-powertools.nl>

Hikoki Power Tools (U.K.) Ltd.

Precedent Drive, Rooksley, Milton Keynes, MK 13, 8PJ,
United Kingdom
Tel: +44 1908 660663
Fax: +44 1908 606642
URL: <http://www.hikoki-powertools.uk>

Hikoki Power Tools France S.A.S.

Parc de l'Eglantier 22, rue des Cerisiers, Lisses-C.E. 1541,
91015 EVRY CEDEX, France
Tel: +33 1 69474949
Fax: +33 1 60861416
URL: <http://www.hikoki-powertools.fr>

Hikoki Power Tools Belgium N.V./S.A.

Koningin Astridlaan 51, B-1780 Wommel, Belgium
Tel: +32 2 460 1720
Fax: +32 2 460 2542
URL: <http://www.hikoki-powertools.be>

Hikoki Power Tools Italia S.p.A

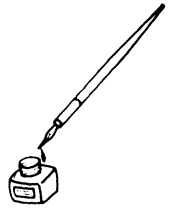
Via Piave 35, 36077, Altavilla Vicentina (VI), Italy
Tel: +39 0444 548111
Fax: +39 0444 548110
URL: <http://www.hikoki-powertools.it>

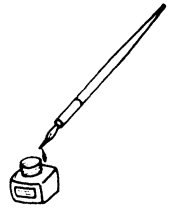
Hikoki Power Tools Ibérica, S.A.

C/ Puigbarral, 26-28, Pol. Ind. Can Petit, 08227 Terrassa
(Barcelona), Spain
Tel: +34 93 735 6722
Fax: +34 93 735 7442
URL: <http://www.hikoki-powertools.es>

Hikoki Power Tools Österreich GmbH

IndustrieZentrum NÖ –Süd, Straße 7, Obj. 58/A6 2355
Wiener Neudorf, Austria
Tel: +43 2236 64673/5
Fax: +43 2236 63373
URL: <http://www.hikoki-powertools.at>





<p>English</p> <p>EC DECLARATION OF CONFORMITY</p> <p>We declare under our sole responsibility that Orbital Sander, identified by type and specific identification code *1), is in conformity with all relevant requirements of the directives *2) and standards *3). Technical file at *4) – See below. The European Standard Manager at the representative office in Europe is authorized to compile the technical file. The declaration is applicable to the product affixed CE marking.</p>	<p>Español</p> <p>DECLARACIÓN DE CONFORMIDAD DE LA CE</p> <p>Declaramos bajo nuestra única responsabilidad que la Lijadora orbital, identificada por tipo y por código de identificación específico *1), está en conformidad con todas las disposiciones correspondientes de las directivas *2) y de las normas *3). Documentación técnica en *4) – Ver a continuación. El Director de Normas Europeas en la oficina de representación en Europa está autorizado para elaborar el expediente técnico. La declaración se aplica al producto con marcas de la CE.</p>
<p>Deutsch</p> <p>EG-KONFORMITÄTSERLÄRUNG</p> <p>Wir erklären in alleiniger Verantwortung, dass der durch den Typ und den spezifischen Identifizierungscode *1) identifizierte Schwingschleifer allen einschlägigen Bestimmungen der Richtlinien *2) und Normen *3) entspricht. Technische Unterlagen unter *4) – Siehe unten. Die Leitung der repräsentativen Behörde für europäische Normen und Richtlinien ist berechtigt, die technischen Unterlagen zusammenzustellen. Die Erklärung gilt für die an dem Produkt angebrachte CE-Kennzeichnung.</p>	<p>Português</p> <p>DECLARAÇÃO DE CONFORMIDADE CE</p> <p>Declaramos, sob nossa única e inteira responsabilidade, que Lixadeira Orbital, identificada por tipo e código de identificação específico *1), está em conformidade com todos os requerimentos relevantes das diretivas *2) e normas *3). Ficheiro técnico em *4) – Consulte abaixo. O Gestor de Normas Europeias no escritório de representação na Europa está autorizado a compilar o ficheiro técnico. A declaração aplica-se aos produtos com marca CE.</p>
<p>Français</p> <p>DECLARATION DE CONFORMITE CE</p> <p>Nous déclarons sous notre entière responsabilité que la ponceuse orbitale, identifiée par le type et le code d'identification spécifique *1) est en conformité avec toutes les exigences applicables des directives *2) et des normes *3). Dossier technique en *4) - Voir ci-dessous. Le Gestionnaire des normes européennes du bureau de représentation en Europe est autorisé à constituer le dossier technique. Cette déclaration s'applique aux produits désignés CE.</p>	<p>Ελληνικά</p> <p>ΕΚ ΔΗΛΩΣΗ ΕΝΑΡΜΟΝΙΣΜΟΥ</p> <p>Δηλώνουμε με αποκλειστική μας ευθύνη ότι το Παλμικό τριβείο, το οποίο προσδιορίζεται από τον τύπο και ειδικό αναγνωριστικό κωδικό *1), είναι σύμφωνο με όλες τις σχετικές απαιτήσεις των Οδηγιών *2) και στα σχετικά πρότυπα *3). Τεχνικό Αρχείο στο *4) – Δείτε παρακάτω. Ο Διαχειριστής Ευρωπαϊκών Προτύπων στο γραφείο εκπροσώπησης στην Ευρώπη είναι εξουσιοδοτημένος για τη σύνταξη του τεχνικού φακέλου. Η δήλωση ισχύει μόνο για το προϊόν που είναι τοποθετημένη σήμανση CE.</p>
<p>Italiano</p> <p>DICHIARAZIONE DI CONFORMITÀ CE</p> <p>Dichiariamo sotto la nostra esclusiva responsabilità che la levigatrice orbitale, identificata dal tipo e dal codice identificativo specifico *1), è conforme a tutti i requisiti delle direttive *2) e degli standard *3). Documentazione tecnica presso *4) – Vedere sotto. Il gestore delle norme europee presso l'ufficio di rappresentanza in Europa è autorizzato a compilare il fascicolo tecnico. La dichiarazione è applicabile ai prodotti cui sono applicati i marchi CE.</p>	<p>Türkçe</p> <p>AT UYGUNLUK BEYANI</p> <p>Tip ve özel tanım koduyla *1) tanımlı Titrüşümlü Zımpara'nın direktiflerin *2) ve standartların *3) tüm ilgili gereksinimlerine uygun olduğunu tamamen kendi sorumluluğumuz altında beyan ederiz. Teknik dosya *4)'dedir – Aşağıya bakın. Avrupa'daki temsilcilik ofisindeki Avrupa Standartları Yöneticisi, teknik dosyayı derlemek için yetkilendirilmiştir. Beyan, üzerinde CE işareti bulunan ürünler için geçerlidir.</p>
<p>Nederlands</p> <p>EC VERKLARING VAN CONFORMITEIT</p> <p>Wij verklaren onder onze eigen verantwoordelijkheid dat Vlakschuurmachine, geïdentificeerd door het type en de specifieke identificatiecode*1), voldoet aan alle relevante bepalingen van de richtlijnen*2) en normen*3). Technische documentatie bij*4) – zie onder. De Europese Normen Manager bij de vertegenwoordiging in Europa is gemachtigd om het technisch dossier samen te stellen. Deze verklaring is van toepassing op producten voorzien van de CE-markeringen.</p>	
<p>*1) FSV10SA C330477R *2) 2006/42/EC, 2014/30/EU, 2011/65/EU *3) EN60745-1:2009+A11:2010 EN60745-2-4:2009+A11:2011 EN55014-1:2006+A1:2009+A2:2011 EN55014-2:1997+A1:2001+A2:2008 EN61000-3-2:2014 EN61000-3-3:2013</p>	
<p>*4) Representative office in Europe Hikoki Power Tools Deutschland GmbH Siemensring 34, 47877 Willich, Germany</p> <p>Head office in Japan Koki Holdings Co., Ltd. Shinagawa Intercity Tower A, 15-1, Konan 2-chome, Minato-ku, Tokyo, Japan</p>	<p>29. 6. 2018 Naoto Yamashiro European Standard Manager</p> <p>29. 6. 2018   A. Nakagawa Corporate Officer</p>