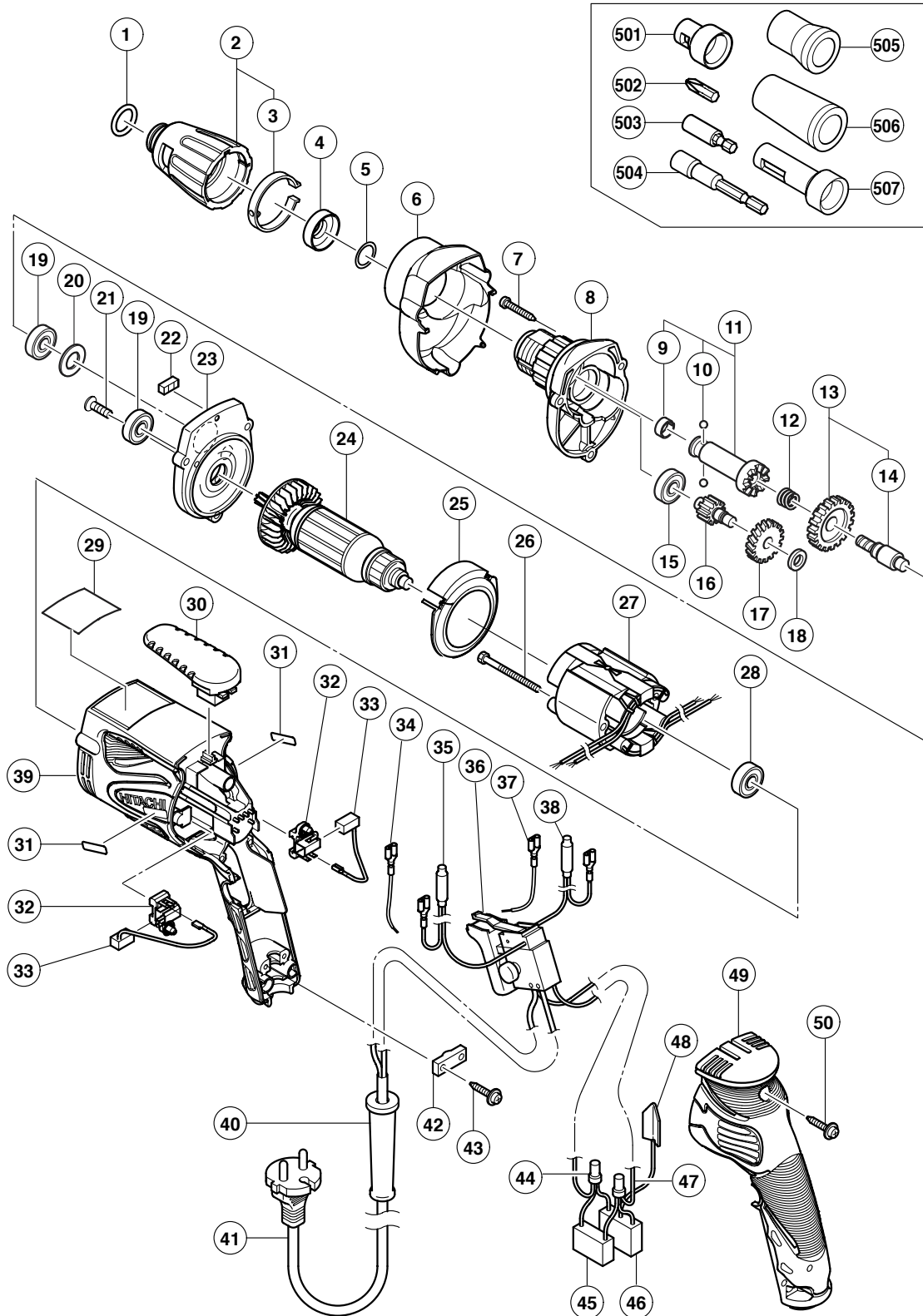


ELECTRIC TOOL PARTS LIST

■ SCREW DRIVER
Model W 6VB3

2004 · 8 · 25

(E1)



PARTS

W 6VB3

ITEM NO.	CODE NO.	DESCRIPTION	NO. USED	REMARKS
1	876-031	O-RING (S-16)	1	
2	323-487	LOCATOR ASS'Y	1	INCLUD. 3
3	323-488	CLICK SPRING	1	
4	971-468	FRINGER (A)	1	
5	317-662	O-RING (F)	1	
6	323-494	PROTECT COVER (B)	1	
7	321-057	TAPPING SCREW D4X25 (BLACK)	3	
8	323-498	GEAR COVER ASS'Y (B)	1	INCLUD. 5, 15
9	872-573	SET RING	1	
10	959-148	STEEL BALL D3.175 (10 PCS.)	2	
11	317-664	SOCKET (B) ASS'Y	1	INCLUD. 9, 10
12	306-024	SPRING	1	
13	317-771	GEAR ASS'Y	1	INCLUD. 14
14	307-340	GEAR SHAFT	1	
15	608-VVM	BALL BEARING 608VVC2PS2L	1	
16	317-770	SECOND PINION ASS'Y	1	INCLUD. 17
17	307-337	FIRST GEAR	1	
18	323-497	WASHER	1	
19	608-VVM	BALL BEARING 608VVC2PS2L	2	
20	933-545	WASHER (A)	1	
21	323-556	SLOTTED HD. SCREW (SEAL LOCK) M4X8	2	
22	323-557	FELT (A)	1	
23	323-493	INNER COVER ASS'Y (A)	1	INCLUD. 19-22
* 24	360-674	ARMATURE (D) 110V	1	
* 24	360-675U	ARMATURE ASS'Y (D) 120V	1	INCLUD. 19, 28
* 24	360-675E	ARMATURE (D) 220V-230V	1	
* 24	360-675F	ARMATURE (D) 240V	1	
25	323-472	FAN GUIDE	1	
26	961-672	HEX. HD. TAPPING SCREW D4X50	2	
* 27	340-599C	STATOR 110V-120V	1	
* 27	340-599E	STATOR 220V-240V	1	
28	608-VVM	BALL BEARING 608VVC2PS2L	1	
29		NAME PLATE	1	
30	323-471	HOOK	1	
31		HITACHI LABEL	2	
32	323-512	BRUSH HOLDER (A)	2	
33	999-091	CARBON BRUSH (AUTO STOP TYPE) (1 PAIR)	2	
* 34	323-567	INTERNAL WIRE (BROWN)	1	FOR SAU
* 35	323-566	CHOKE COIL (W/INTERNAL WIRE) BROWN	1	EXCEPT FOR SAU
36	323-479	SWITCH (1P PILLAR TYPE) W/LOCK	1	
* 37	323-569	INTERNAL WIRE (BLUE)	1	FOR SAU
* 38	323-568	CHOKE COIL (W/INTERNAL WIRE) BLUE	1	EXCEPT FOR SAU
39	323-483	HOUSING	1	
40	953-327	CORD ARMOR D8.8	1	
* 41	323-559	CORD (LENGTH 7.5M)	1	(CORD ARMOR D8.8)
* 41	323-562	CORD (LENGTH 7.5M)	1	(CORD ARMOR D8.8) FOR GBR (110V)
* 41	323-560	CORD (LENGTH 7.5M)	1	(CORD ARMOR D8.8) FOR GBR (230V)
* 41	323-561	CORD (LENGTH 7.5M)	1	(CORD ARMOR D8.8) FOR AUS
* 41	320-130	CORD (LENGTH 7.5M)	1	(CORD ARMOR D8.8) FOR USA, CAN
* 41	500-409Z	CORD	1	(CORD ARMOR D8.8) FOR SAU
42	937-631	CORD CLIP	1	

