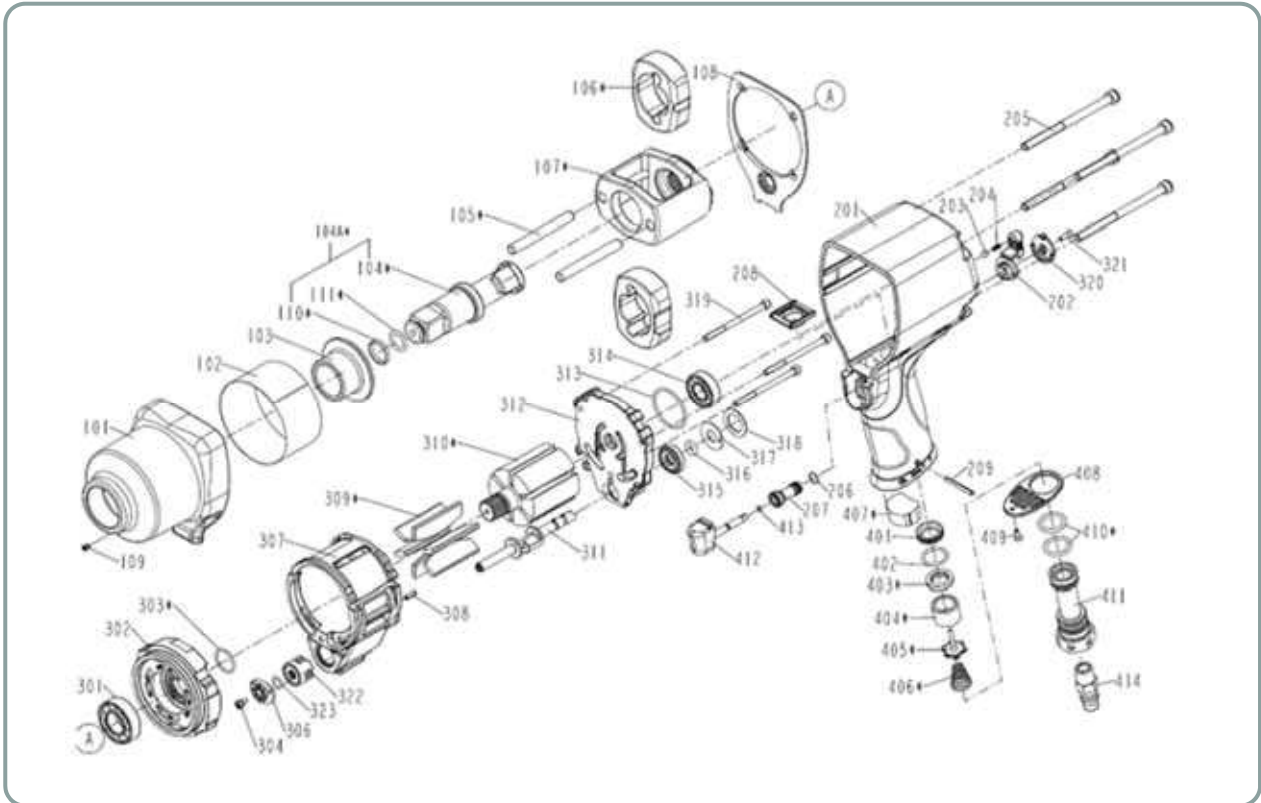


2. Model WR 27A



ITEM	PART NAME	QTY
101	HAMMER CASE	1
102	STEEL RING	1
103	HAMMER CASE BUSHING	1
104	ANVIL	1
104A	ANVIL UNIT	1
105	HAMMER PIN	2
106	HAMMER	2
107	HAMMER FRAME	1
108	HAMMER CASE GASKET	1
109	HAMMER CASE GREASE FITTING	1
110	SOCKET RETAINER	1
111	O-RING	1
201	HOUSING	1
202	REGULATOR	1
203	PIN	1
204	SPRING	1
205	BOLT W/FLAT WASHER	4
206	O-RING	1
207	TRIGGER BUSHING B	1
208	SEAL	1
209	SPRING PIN	1
301	BEARING	1
302	FRONT BEARING PLATE	1
303	O-RING	1
304	BOLT ASSY	1
306	REVERSE VALVE A	1
307	CYLINDER UNIT	1
308	SPIRAL PINS	1

ITEM	PART NAME	QTY
309	BLADES	6
310	ROTOR	1
311	REVERSE VALVE	1
312	REAR END PLATE	1
313	O-RING	1
314	BEARING	1
315	LATCH SPRING BUSHING	1
316	O-RING	1
317	FLAT WASHER	1
318	SEAL	1
319	HEX. SOC. HD. BOLT	3
320	REVERSE VALVE B	1
321	FLAT HD. SCREW	1
322	LATCH SPRING BUSHING	1
323	O-RING	1
401	INSERT BUSHING	1
402	O-RING	1
403	SEAL UNIT	1
404	BUSHING	1
405	TIP VALVE	1
406	SPRING	1
407	MUFFLER	1
408	DEFLECTOR	1
409	TAP BOLT	1
410	O-RING	2
411	AIR INLET	1
412	TRIGGER UNIT	1
413	O-RING	1