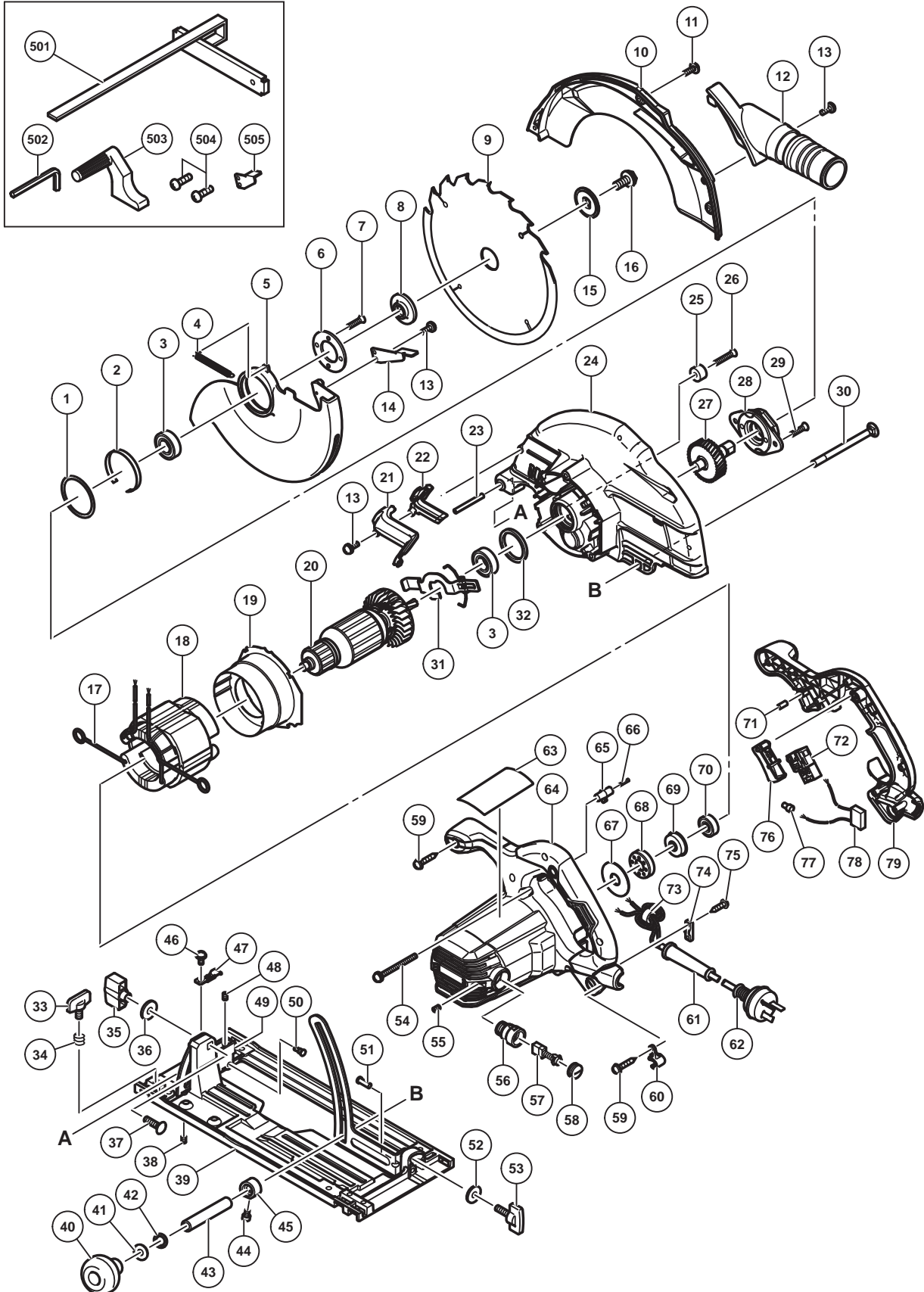


## ELECTRIC TOOL PARTS LIST

### ■ CIRCULAR SAW Model C 9SA3

2016-6-2  
(E1)



**PARTS**

C 9SA3

ITEM NO.	CODE NO.	DESCRIPTION	NO. USED	REMARKS
1	370540	WASHER	1	
2	998887	LINER	1	
3	6202VV	BALL BEARING 6202VVCMP2L	2	
4	370543	RETURN SPRING	1	
5	370284	LOWER GUARD	1	
6	370277	BEARING COVER	1	
7	992013	SEAL LOCK FLAT HD. SCREW M5 X 14	2	
*	8	370271	WASHER (A)	1
*	8	370273	WASHER (A)	1 FOR AUS,NZL,BRA
*	8	370270	WASHER (A)	1 FOR THA
*	9	326830	TCT SAW BLADE 235MM-D25.4 HOLE-NT40	1
*	9	326829	TCT SAW BLADE 235MM-D25 HOLE-NT40	1 FOR AUS,NZL,BRA
*	9	370286	TCT SAW BLADE 235MM-D20 HOLE-NT40	1 FOR THA
10	370280	SAW COVER	1	
11	951039	MACHINE SCREW (W/SP. WASHER) M4 X 12	3	
12	997247	DUST COLLECTOR	1	
13	935196	MACHINE SCREW (W/WASHERS) M4 X 12 (BLACK)	3	
14	370542	LEVER	1	
15	370279	WASHER (B)	1	
16	324662	HEX. SOCKET HD. BOLT M8 X 15.5	1	
17	937623	BRUSH TERMINAL	2	
*	18	340942J	STATOR ASS'Y 110V	1 INCLUD.17
*	18	340942D	STATOR ASS'Y 127V	1 INCLUD.17
*	18	340942G	STATOR ASS'Y 220V-230V	1 INCLUD.17
*	18	340942H	STATOR ASS'Y 240V	1 INCLUD.17
19	370292	FAN GUIDE	1	
*	20	361033C	ARMATURE 110V	1
*	20	361033D	ARMATURE 127V	1
*	20	361033E	ARMATURE 220V-230V	1
*	20	361033F	ARMATURE 240V	1
21	370282	FLOW GUIDE (B)	1	
22	370281	FLOW GUIDE (A)	1	
*	23	949884	ROLL PIN D8 X 50 (10 PCS.)	1 FOR UAE (110V)
24	370544	GEAR COVER	1	
25	337080	CUSHION	1	
26	949794	FLAT HD. SCREW M6 X 20 (10 PCS.)	1	
27	370276	SPINDLE AND GEAR SET	1	
28	370275	BEARING HOLDER	1	
29	303797	SEAL LOCK FLAT HD. SCREW M6 X 14	2	
30	370266	DIAGONAL BOLT M8	1	
31	370291	LOCK LEVER	1	
32	303792	RUBBER RING	1	
33	301806	WING BOLT M6 X 15	1	
34	947859	LOCK SPRING	1	
35	324658	WING NUT M8	1	
36	949433	BOLT WASHER M8 (10 PCS.)	1	
37	302457	BOLT (SQUARE) M8 X 30	1	
38	302469	SLOTTED HD. SET SCREW (SEAL LOCK) M6 X 6	1	
39	370294	BASE ASS'Y	1	INCLUD.51
40	324660	KNOB	1	

**PARTS**

C 9SA3

ITEM NO.	CODE NO.	DESCRIPTION	NO. USED	REMARKS	
41	949433	BOLT WASHER M8 (10 PCS.)	1		
42	676531	O-RING (P-7)	1		
43	370267	SLEEVE (A)	1		
44	370278	SEAL LOCK HEX. SOCKET HD. BOLT M4 X 6	1		
45	370268	SLEEVE (B)	1		
46	331003	MACHINE SCREW (W/SP. WASHER) M4 (BLACK)	1		
47	324659	GUIDE PIECE	1		
48	319541	SEAL LOCK HEX. SOCKET SET SCREW M5 X 6	1		
49	308481	BEVEL PLATE	1		
50	370295	STEP PIN	1		
51	308480	RIVET D6 X 17	1		
52	949425	WASHER M6 (10 PCS.)	1		
53	322959	WING BOLT M6 X 22	1		
54	997841	MACHINE SCREW (W/WASHERS) M5 X 50 (BLACK)	3		
55	938477	HEX. SOCKET SET SCREW M5 X 8	2		
56	983362	BRUSH HOLDER	2		
57	999038	CARBON BRUSH (1 PAIR)	2		
58	961781	BRUSH CAP	2		
59	301653	TAPPING SCREW (W/FLANGE) D4 X 20 (BLACK)	6		
60	370269	CORD HOLDER	1		
*	61	938051	CORD ARMOR D10.1	1	
*	61	953327	CORD ARMOR D8.8	1	
*	62	500440Z	CORD	1	(CORD ARMOR D8.8)
*	62	500235Z	CORD	1	(CORD ARMOR D8.8) FOR VIE,INA,IND
*	62	500455Z	CORD	1	(CORD ARMOR D8.8) FOR THA,PHI
*	62	500408Z	CORD	1	(CORD ARMOR D8.8) FOR AUS,NZL
*	62	500518Z	CORD (BRA)	1	(CORD ARMOR D8.8) FOR BRA (127V)
*	62	500519Z	CORD (BRA)	1	(CORD ARMOR D8.8) FOR BRA (220V)
*	62	500502Z	CORD	1	(CORD ARMOR D10.1) FOR UAE (110V)
*	63		NAME PLATE	1	EXCEPT FOR AUS,NZL
*	64	370288	HOUSING	1	
*	64	370289	HOUSING	1	FOR UAE,SIN,HKG,MAL,BRA
*	65	370262	OFF LOCK BUTTON	1	FOR AUS,NZL
*	65	370263	ON LOCK BUTTON	1	FOR THA,VIE,INA,IND,PHI
*	66	335465	SPRING (A)	1	FOR AUS,NZL,THA,VIE,INA,IND,PHI
	67	370628	RUBBER BUSHING	1	
	68	325355	BEARING BUSHING	1	
	69	6000VV	BALL BEARING 6000VVCMP2L	1	
	70	931701	BEARING LOCK	1	
	71	370260	SWITCH	1	
*	72	334379	FERRITE CORE	1	FOR AUS,NZL
	73	937631	CORD CLIP	1	
	74	984750	TAPPING SCREW (W/FLANGE) D4 X 16	2	
	75	370261	TRIGGER	1	
	76	959141	CONNECTOR 50092 (10 PCS.)	1	
*	77	930039	NOISE SUPPRESSOR	1	FOR AUS,NZL
	78	370290	HANDLE COVER	1	

