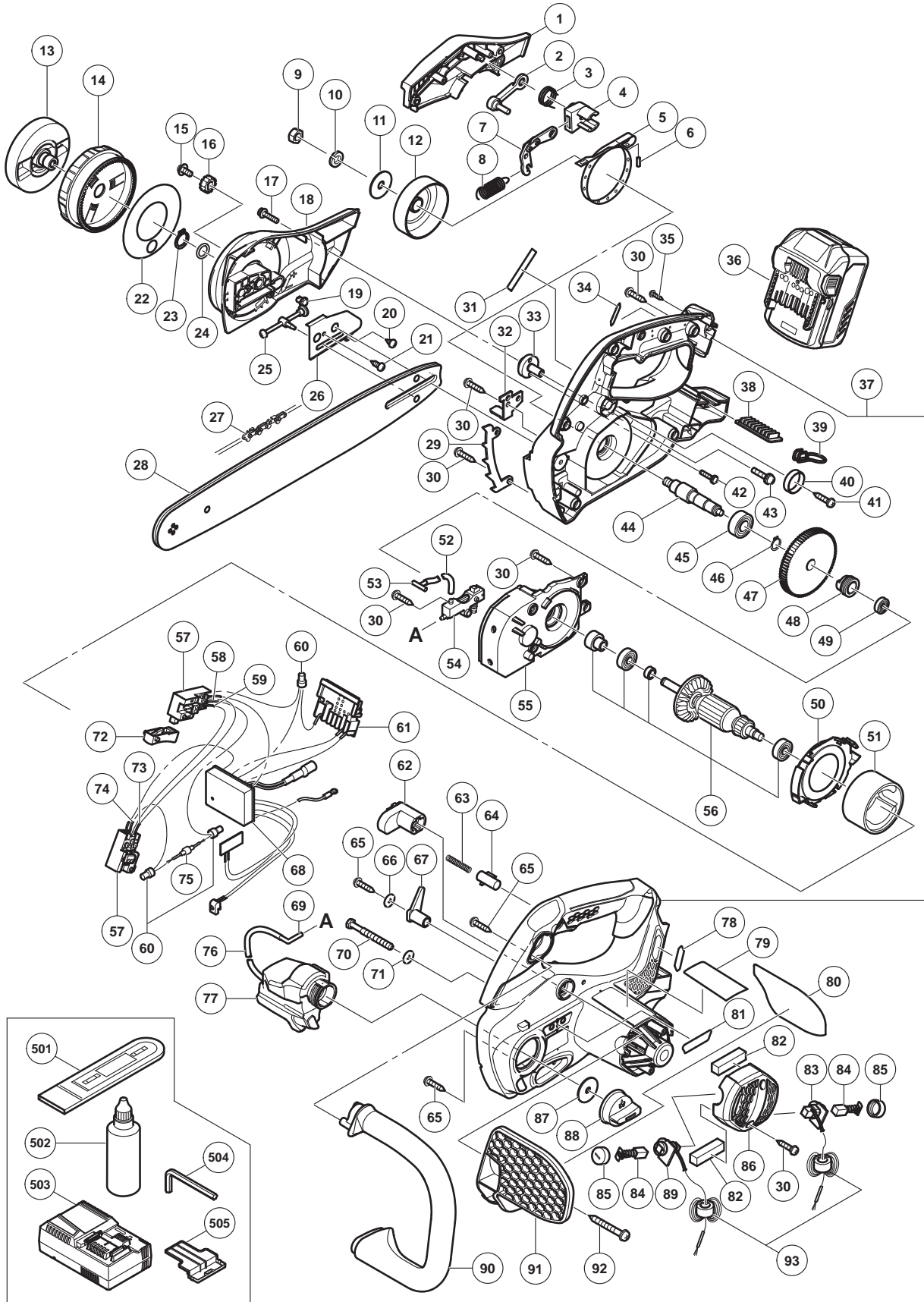


ELECTRIC TOOL PARTS LIST

CORDLESS CHAIN SAW
Model CS 3630DA

2017.12.13
(E1)



PARTS

CS 3630DA

ITEM NO.	CODE NO.	DESCRIPTION	NO. USED	REMARKS
1	335134	BRAKE LINK COVER	1	
2	6696782	BRAKE SUPPORT PLATE	1	
3	6696783	BRAKE LEVER SPRING	1	
4	335135	BRAKE LINK HOLDER	1	
5	6699013	BRAKE BAND	1	
6	6685391	NEEDLE ROLLER D3	1	
7	6685388	BRAKE LINK	1	
8	6685389	BRAKE SPRING	1	
9	335192	LOCK NUT (LEFT HAND) M8	1	
10	957042	SUPER LOCK WASHER M8	1	
11	335139	SIDE PLATE	1	
12	6685403	CLUTCH HOUSING	1	
13	335151	KNOB	1	
14	335150	TENSION DIAL	1	
15	315500	MACHINE SCREW (W/WASHER) M4 X 8 (BLACK)	1	
16	335152	TENSION GEAR	1	
17	336349	HEX. SOCKET HD. BOLT (W/FLANGE) M5 X 20	1	
18	336347	CHAIN SIDE COVER	1	
19	335156	BEVEL GEAR (A)	1	
20	696352	TAPPING SCREW D3 X 6	1	
21	370905	TAPPING SCREW D3 X 12	1	
22	335688	DUST SHEET	1	
23	939543	RETAINING RING FOR D14 SHAFT (10 PCS.)	1	
24	996407	O-RING (1AP-12)	1	
25	335153	CHAIN PULLER	1	
26	335154	GUIDE PLATE	1	
27	6697852	SAW CHAIN (3/8 X 12') 91PX-45XJ	1	
28	6696990	CHAIN BAR 12 INCH 3/8 SPROCKET PRC	1	
29	335142	SPIKE	1	
30	339250	TAPPING SCREW (W/FLANGE) D4 X 20	18	
31		BRAND LABEL	1	
32	335155	CHAIN CATCHER	1	
33	336350	SPECIAL NUT M5	1	
34		MV LABEL (B)	1	
35	313687	TAPPING SCREW (W/FLANGE) D3 X 16 (BLACK)	1	
36	371750	BATTERY BSL 36A18 (EUROPE,AUS,NZL)	1	INCLUD.505
37	373112	HOUSING.HANDLE COVER SET	1	
38	370328	BUTTERY RUBBER (B)	1	
39	6698696	HOOK	1	
40	335690	LINK SLEEVE	1	
41	301653	TAPPING SCREW (W/FLANGE) D4 X 20 (BLACK)	3	
42	304043	MACHINE SCREW (W/WASHERS) M4 X 10 (BLACK)	2	
43	336342	MACHINE SCREW (W/WASHERS) M5 X 10 (BLACK)	1	
44	335137	SPINDLE	1	
45	6001VV	BALL BEARING 6001VV	1	
46	939542	RETAINING RING FOR D12 SHAFT (10 PCS.)	1	
47	335138	GEAR	1	
48	6696886	WORM	1	
49	606ZZM	BALL BEARING 606VV	1	
50	335140	FAN GUIDE	1	

PARTS

CS 3630DA

ITEM NO.	CODE NO.	DESCRIPTION	NO. USED	REMARKS
51	323156	MAGNET	1	
52	335148	URETHANE TUBE 130L	1	
53	335147	NOZZLE	1	
54	6696887	OIL PUMP	1	
55	335136	INNER COVER	1	
56	360948	ARMATURE AND PINION SET	1	
57	335124	SWITCH	2	
58	335687	INTERNAL WIRE (RED) L240	1	
59	335694	INTERNAL WIRE (RED) L490	1	
60	959141	CONNECTOR 50092 (10 PCS.)	3	
61	372228	BATTERY TERMINAL	1	
62	335132	BRAKE LEVER	1	
63	314429	SPRING	1	
64	331682	LOCK BUTTON	1	
65	301653	TAPPING SCREW (W/FLANGE) D4 X 20 (BLACK)	5	
66	319956	WASHER (B)	1	
67	335133	SWITCH LEVER	1	
68	373111	CONTROLLER TERMINAL SET	1	INCLUD.60,61
69	335146	OIL PIPE	1	
70	981824	HEX. HD. TAPPING SCREW D4 X 45	2	
71	319956	WASHER (B)	2	
72	335125	TRIGGER	1	
73	335695	INTERNAL WIRE (BROWN) L165	1	
74	335696	INTERNAL WIRE (BLACK) L120	1	
75	335689	DIODE	1	
76	335145	URETHANE TUBE 95L	1	
77	335143	OIL TANK	1	
78		MV LABEL (A)	1	
79		NAME PLATE	1	
80	335692	CAUTION LABEL (EX)	1	
81		PANEL SHEET	1	
82	335867	SPONGE (A)	2	
* 83	335698	BRUSH HOLDER	1	
* 83	335126	BRUSH HOLDER	1	FOR NZL
84	999068	CARBON BRUSH (1 PAIR)	2	
85	319847	BRUSH CAP	2	
86	335141	TAIL COVER	1	
87	335691	TANK CAP PACKING	1	
88	335144	TANK CAP	1	
* 89	335699	BRUSH HOLDER	1	
* 89	335127	BRUSH HOLDER	1	FOR NZL
90	335130	FRONT HANDLE	1	
91	335131	BRAKE HANDLE	1	
92	316321	TAPPING SCREW (W/FLANGE) D5 X 45	1	
* 93	334379	FERRITE CORE	2	EXCEPT FOR NZL

