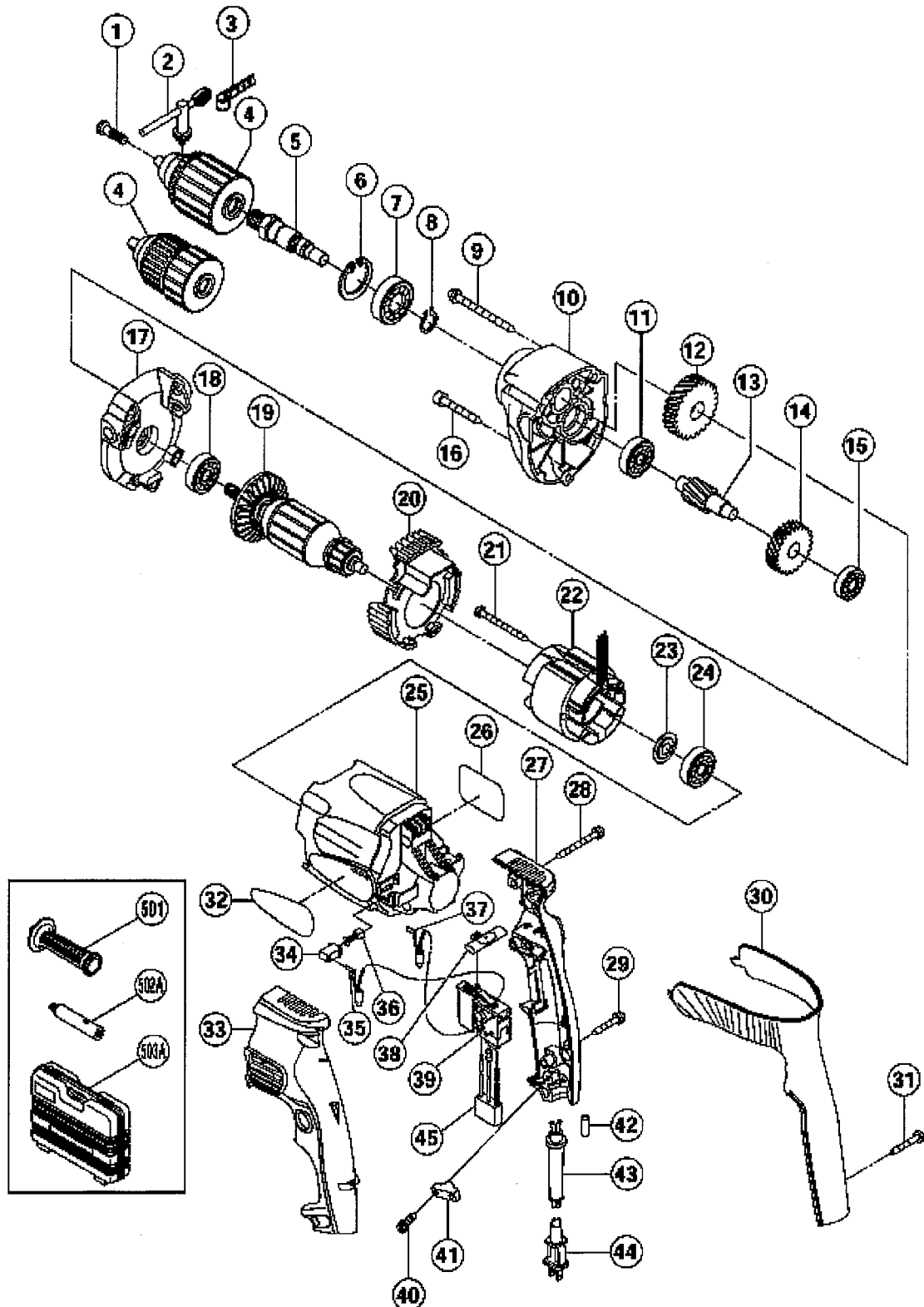


## ELECTRIC TOOL PARTS LIST

■ DRILL  
Model D 13VG

2002-6-1  
(E2-1)



## PARTS

D13VG

| ITEM No. | CODE No. | DESCRIPTION                             | No. USED | REMARKS            |
|----------|----------|---|----------|--------------------|
| 1        | 311-959  | SPECIAL SCREW (LEFT HAND) M6X23         | 1        |                    |
| 2        | 319-527  | CHUCK WRENCH 13VLR-J                    | 1        |                    |
| 3        | 950-288  | VINYL BAND                              | 1        |                    |
| * 4      | 319-303  | DRILL CHUCK 13VLR-J                     | 1        | INCLUD.2           |
| * 4      | 319-304  | DRILL CHUCK 13VLRD-N (W/O CHUCK WRENCH) | 1        |                    |
| 5        | 319-346  | SPINDLE (A)                             | 1        |                    |
| 6        | 948-001  | RETAINING RING FOR D32 HOLE             | 1        |                    |
| 7        | 600-2VV  | BALL BEARING 6002VVCMP2L                | 1        |                    |
| 8        | 939-544  | RETAINING RING FOR D15 SHAFT (10 PCS.)  | 1        |                    |
| 9        | 305-701  | TAPPING SCREW (W/FLANGE) D5X60          | 2        |                    |
| 10       | 319-345  | GEAR COVER (A)                          | 1        |                    |
| 11       | 627-VVM  | BALL BEARING 627VVC2PS2L                | 1        |                    |
| 12       | 319-305  | FINAL GEAR (C)                          | 1        |                    |
| 13       | 319-548  | SECOND PINION (C)                       | 1        |                    |
| 14       | 319-544  | FIRST GEAR                              | 1        |                    |
| 15       | 606-ZZM  | BALL BEARING 606ZZC2PS2L                | 1        |                    |
| 16       | 316-458  | TAPPING SCREW D5X40 (BLACK)             | 1        |                    |
| 17       | 319-344  | INNER COVER                             | 1        |                    |
| 18       | 608-DDM  | BALL BEARING 608DDC2PS2L                | 1        |                    |
| * 19     | 360-543F | ARMATURE 240V                           | 1        |                    |
| 20       | 319-329  | FAN GUIDE                               | 1        |                    |
| 21       | 981-421  | HEX. HD. TAPPING SCREW D4X55            | 2        |                    |
| * 22     | 340-504E | STATOR 230V-240V                        | 1        |                    |
| 23       | 982-631  | WASHER (A)                              | 1        |                    |
| 24       | 608-VVM  | BALL BEARING 608VVC2PS2L                | 1        |                    |
| 25       | 319-328  | HOUSING                                 | 1        |                    |
| 26       |          | NAME PLATE                              | 1        |                    |
| 27       | 319-331  | HANDLE (B)                              | 1        |                    |
| 28       | 303-694  | TAPPING SCREW (W/FLANGE) D4X35 (BLACK)  | 2        |                    |
| 29       | 301-653  | TAPPING SCREW (W/FLANGE) D4X20 (BLACK)  | 1        |                    |
| 30       | 319-332  | GRIP COVER                              | 1        |                    |
| 31       | 319-337  | SCREW (PLASTIC TIE) D4X25               | 2        |                    |
| 32       |          | HITACHI LABEL                           | 1        |                    |
| 33       | 319-330  | HANDLE (A)                              | 1        |                    |
| 34       | 955-203  | BRUSH HOLDER                            | 2        |                    |
| * 35     | 320-197  | CHOKE COIL (BLUE) 220V-240V             | 1        | FOR AUS,NZL,EUROPE |

\*:ALTERNATIVE PARTS

## PARTS

D13VG

| ITEM No. | CODE No. | DESCRIPTION                    | No. USED | REMARKS                       |
|----------|----------|--------------------------------|----------|-------------------------------|
| 36       | 999-041  | CARBON BRUSH (1 PAIR)          | 2        |                               |
| * 37     | 320-196  | CHOKE COIL (BROWN) 220V-240V   | 1        | FOR AUS,NZL,EUROPE            |
| 38       | 316-166  | PUSHING BUTTON                 | 1        |                               |
| * 39     | 320-195  | SWITCH (1P SCREW TYPE) W/LOCK  | 1        | FOR AUS,NZL,EUROPE            |
| 40       | 984-750  | TAPPING SCREW (W/FLANGE) D4X16 | 2        |                               |
| 41       | 937-631  | CORD CLIP                      | 1        |                               |
| 42       | 981-373  | TUBE (D)                       | 2        | FOR CORD                      |
| 43       | 953-327  | CORD ARMOR D8.8                | 1        | FOR CORD                      |
| * 44     | 500-439Z | CORD                           | 1        | (CORD ARMOR D8.8) FOR AUS,NZL |

## STANDARD ACCESSORIES

| ITEM No. | CODE No. | DESCRIPTION         | No. USED | REMARKS |
|----------|----------|---------------------|----------|---------|
| 501      | 981-205  | SIDE HANDLE FOR M10 | 1        |         |
| 502A     | 319-550  | HANDLE JOINT        | 1        |         |
| 503A     | 319-543  | CASE                | 1        |         |