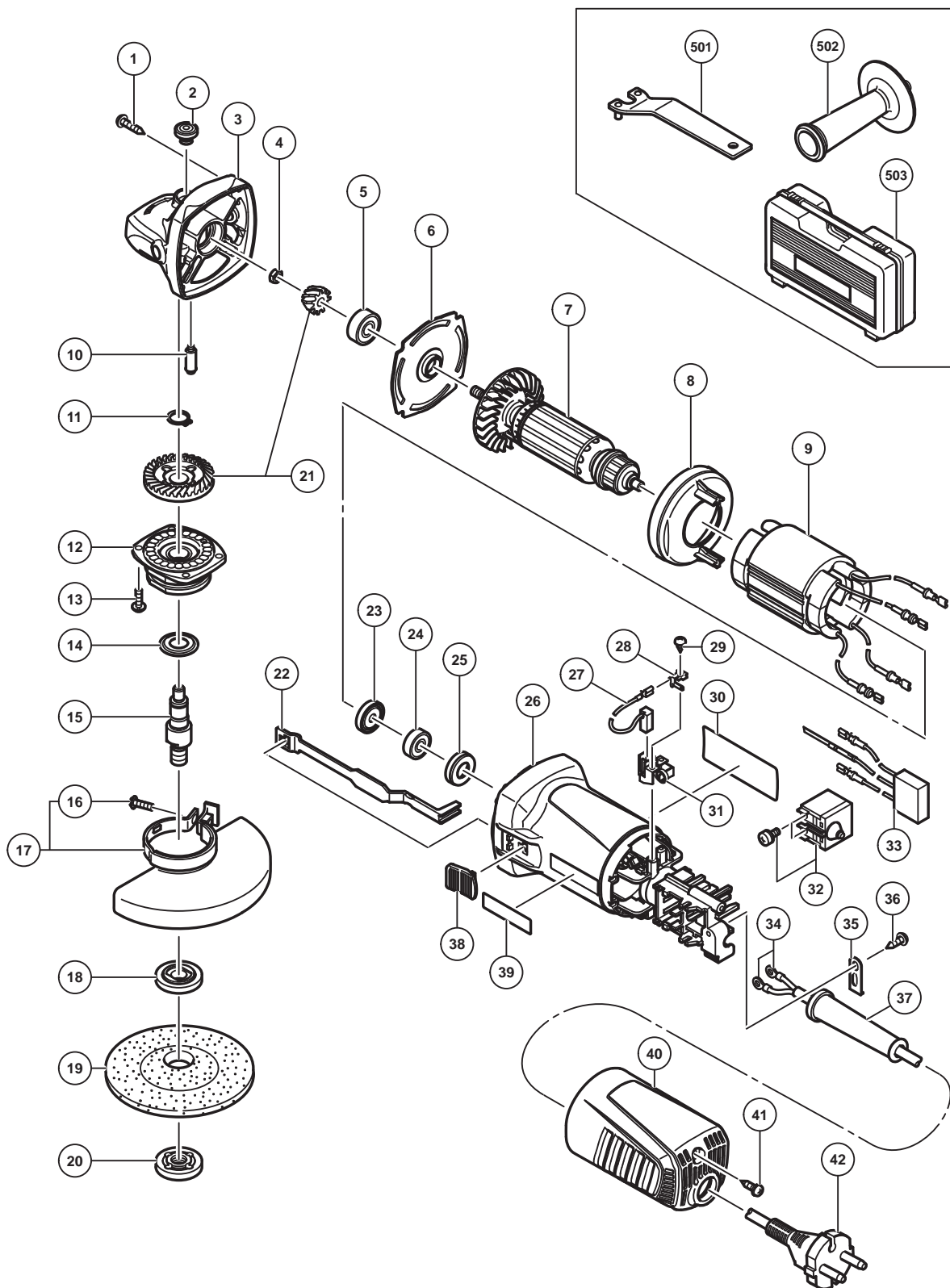


## ELECTRIC TOOL PARTS LIST

■ DISC GRINDER  
Model G 10SR4

2015 · 7 · 1  
(E1)



**PARTS**

G 10SR4

ITEM NO.	CODE NO.	DESCRIPTION	NO. USED	REMARKS
1	328643	TAPPING SCREW (W/FLANGE) D4 X 23 (BLACK)	4	
2	301944	PUSHING BUTTON	1	
3	339146	GEAR COVER ASS'Y	1	INCLUD.2,10
4	309191	SPECIAL NUT M6	1	
5	338337	BALL BEARING 608S	1	
6	338850	BEARING HOLDER	1	
* 7	361016C	ARMATURE 110V	1	
* 7	361016E	ARMATURE 220V-240V	1	
8	338853	FAN GUIDE	1	
* 9	340016C	STATOR 110V-127V	1	
* 9	340016E	STATOR 220V-230V	1	
* 9	340016F	STATOR 240V	1	
10	301943	LOCK PIN	1	
11	316487	RETAINING RING FOR D11 SHAFT	1	
12	338849	PACKING GLAND	1	
13	328628	SEAL LOCK SCREW (W/WASHER) M4 X 12	4	
14	328185	WASHER (A)	1	
15	328174	SPINDLE	1	
16	308386	MACHINE SCREW (W/SP. WASHER) M5 X 16 (BLACK)	1	
17	338856	WHEEL GUARD ASS'Y	1	INCLUD.16
18	320497	WHEEL WASHER	1	
* 19	316820	D. C. WHEELS 100MM X 4T A36Q (25 PCS.)	1	FOR AUS,NZL,SIN,MAL,UAE,VIE,INA, THA,PHI,TPE
20	321795	WHEEL NUT (C)	1	
21	339265	GEAR AND PINION SET	1	
22	338855	SLIDE BAR	1	
23	321722	DUST SEAL	1	
24	339145	BALL BEARING 626ZZ	1	
25	309929	RUBBER BUSHING	1	
26	339140	HOUSING	1	
27	999067	CARBON BRUSH 6.5 X 7.5 X 14 (1 PAIR)	2	
28	339185	TAB TERMINAL	2	
29	328210	TAPPING SCREW D3 X 8	4	
30		NAME PLATE	1	
31	333844	BRUSH HOLDER	2	
32	339149	PUSHING BUTTON SWITCH	1	
* 33	339148	NOISE SUPPRESSOR 100V-110V	1	FOR TPE,GBR (110V)
* 33	339147	NOISE SUPPRESSOR 220V-240V	1	FOR AUS,NZL,GBR (230V),TUR,CHN
34	980063	TERMINAL	2	
* 35	338334	CORD CLIP	1	
* 35	338333	CORD CLIP	1	FOR SIN (110V),UAE (110V)
36	305720	TAPPING SCREW (W/FLANGE) D4 X 12	1	
* 37	953327	CORD ARMOR D8.8	1	
* 37	938051	CORD ARMOR D10.1	1	
38	338854	SLIDE SWITCH KNOB	1	
39		HITACHI LABEL	1	
40	339141	TAIL COVER	1	
41	305812	TAPPING SCREW (W/FLANGE) D4 X 16 (BLACK)	1	
* 42	500409Z	CORD	1	(CORD ARMOR D8.8)
* 42	500436Z	CORD	1	(CORD ARMOR D8.8) FOR MAL,SIN (230V),

**PARTS**

G 10SR4

ITEM NO.	CODE NO.	DESCRIPTION	NO. USED	REMARKS
				UAE (230V),GBR (230V)
*	42	500468Z	CORD	1 (CORD ARMOR D8.8) FOR THA,PHI,CHN
*	42	500201Z	CORD	1 (CORD ARMOR D10.1) FOR SIN (110V), UAE (110V)
*	42	500439Z	CORD	1 (CORD ARMOR D8.8) FOR AUS,NZL
*	42	500461Z	CORD	1 (CORD ARMOR D8.8) FOR GBR (110V)
*	42	500470Z	CORD	1 (CORD ARMOR D8.8) FOR TPE

**STANDARD ACCESSORIES**

ITEM NO.	CODE NO.	DESCRIPTION	NO. USED	REMARKS
	501	313933	WRENCH	1
	502	302142	SIDE HANDLE	1
*	503	339264	CASE	1 FOR AUS,NZL

**OPTIONAL ACCESSORIES**

ITEM NO.	CODE NO.	DESCRIPTION	NO. USED	REMARKS
	601	314051	SANDING DISCS 100MM C-P16 (10 PCS.)	1
	602	314052	SANDING DISCS 100MM C-P20 (10 PCS.)	1
	603	314053	SANDING DISCS 100MM C-P24 (10 PCS.)	1
	604	314054	SANDING DISCS 100MM C-P30 (10 PCS.)	1
	605	314055	SANDING DISCS 100MM C-P36 (10 PCS.)	1
	606	314056	SANDING DISCS 100MM C-P40 (10 PCS.)	1
	607	314057	SANDING DISCS 100MM C-P50 (10 PCS.)	1
	608	314058	SANDING DISCS 100MM C-P60 (10 PCS.)	1
	609	314059	SANDING DISCS 100MM C-P80 (10 PCS.)	1
	610	314060	SANDING DISCS 100MM C-P100 (10 PCS.)	1
	611	314061	SANDING DISCS 100MM C-P120 (10 PCS.)	1
	612	935513	WASHER NUT M10 X P1.5	1
	613	936548	WASHER	1
	614	936558Z	RUBBER PAD	1
	615	302098	GUIDE BASE	1
	616	323918	DUST COLLECTION ADAPTER (DISC GRINDER)	1