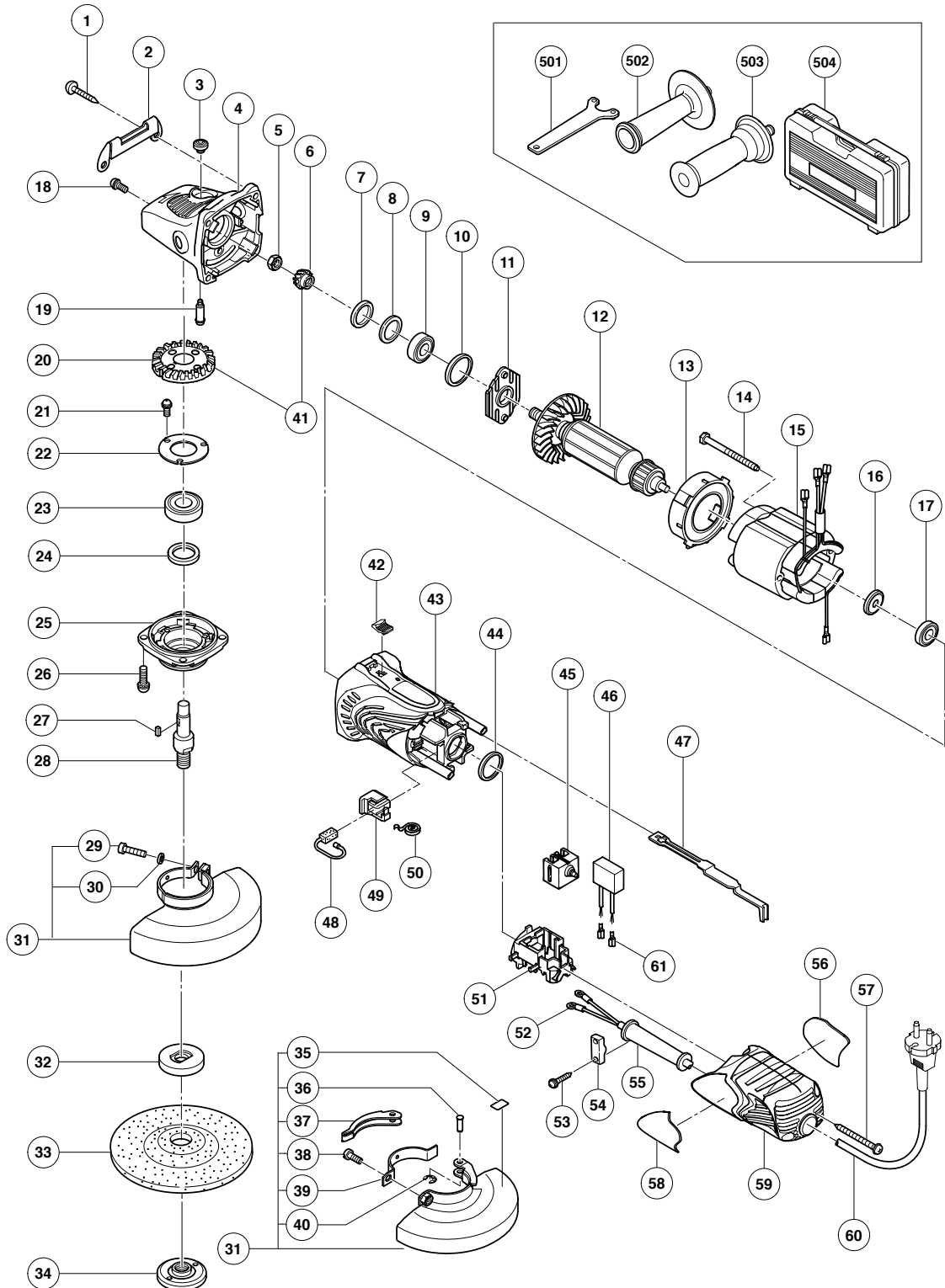


## ELECTRIC TOOL PARTS LIST

**DISC GRINDER**  
**Model G 13SB3**

**2005 · 12 · 23**  
**(E1)**



## PARTS

G 13SB3

ITEM NO.	CODE NO.	DESCRIPTION	NO. USED	REMARKS	
1	320-523	TAPPING SCREW D5X25 (BLACK)	4		
2	325-053	GUARD PLATE	1		
3	301-944	PUSHING BUTTON	1		
4	321-737	GEAR COVER ASS'Y	1	INCLUD. 3, 19	
5	949-558	NUT M8 (10 PCS.)	1		
6	308-541	PINION	1		
7	308-543	SEAL RING (A)	1		
8	980-866	WASHER (C)	1		
9	629-T12	BALL BEARING 629T12DDC3PS2-L	1		
10	957-754	RUBBER RING	1		
11	321-734	BEARING COVER	1		
*	12	360-743C	ARMATURE 110V	1	
*	12	360-734U	ARMATURE ASS'Y 120V	1	INCLUD. 9, 16, 17
*	12	360-734E	ARMATURE 230V-240V	1	
13	321-732	FAN GUIDE	1		
14	982-021	HEX. HD. TAPPING SCREW D4X70	2		
*	15	340-645C	STATOR 110V	1	
*	15	340-645D	STATOR 120V	1	
*	15	340-645E	STATOR 230V	1	
*	15	340-645F	STATOR 240V	1	
16	315-877	DUST SEAL	1		
17	608-VVM	BALL BEARING 608VVC2PS2L	1		
18	303-255	SEAL LOCK SCREW (W/SP. WASHER) M4X10	2		
19	301-943	LOCK PIN	1		
20	321-736	GEAR	1		
21	991-207	SEAL LOCK SCREW (W/SP. WASHER) M4X8	3		
22	936-680	BEARING COVER (B)	1		
23	620-1DD	BALL BEARING 6201DDCMPS2L	1		
24	308-546	FELT PACKING	1		
25	308-545	PACKING GLAND	1		
26	307-046	SEAL LOCK SCREW (W/SP. WASHER) M5X16	4		
27	944-109	FEATHER KEY 3X3X8	1		
*	28	994-301	SPINDLE (A)	1	
*	28	994-302	SPINDLE (B)	1	FOR USA, CAN
*	29	949-241	MACHINE SCREW M5X20 (10 PCS.)	1	
*	30	949-454	SPRING WASHER M5 (10 PCS.)	1	
*	31	320-192	WHEEL GUARD ASS'Y	1	INCLUD. 29, 30
*	31	311-742	WHEEL GUARD ASS'Y	1	INCLUD. 35-40 FOR ITA, FRG, BEL, FRA, ESP, HOL
*	32	937-817Z	WHEEL WASHER	1	
*	32	937-928Z	WHEEL WASHER (A) FOR D16 HOLE	1	FOR USA, CAN
33	316-822	D. C. WHEELS 125MM A36Q (25 PCS.)	1		
*	34	994-324	WHEEL NUT M14	1	
*	34	937-923P	WHEEL NUT 5/8"-11UNC	1	FOR USA, CAN
*	35	311-492	LABEL	1	FOR ITA, FRG, BEL, FRA, ESP, HOL
*	36	311-744	SET PIN	1	FOR ITA, FRG, BEL, FRA, ESP, HOL
*	37	311-743	LEVER	1	FOR ITA, FRG, BEL, FRA, ESP, HOL
*	38	880-734	MACHINE SCREW (W/WASHERS) M5X25 (BLACK)	1	FOR ITA, FRG, BEL, FRA, ESP, HOL
*	39	311-491	SET PIECE (B)	1	FOR ITA, FRG, BEL, FRA, ESP, HOL
*	40	874-759	RETAINING RING (E-TYPE) FOR D2.5 SHAFT	1	FOR ITA, FRG, BEL, FRA, ESP, HOL
41	321-735	GEAR AND PINION ASS'Y	1	INCLUD. 6, 20	
42	314-428	SLIDE KNOB	1		

**PARTS**

ITEM NO.	CODE NO.	DESCRIPTION	NO. USED	REMARKS
43	325-050	HOUSING	1	
44	321-733	RUBBER RING	1	
45	319-319	PUSHING BUTTON SWITCH	1	
*	46	930-039	NOISE SUPPRESSOR	1 EXCEPT FOR USA, CAN
*	46	994-273	NOISE SUPPRESSOR	1 FOR GBR (110V)
	47	325-051	SLIDE BAR	1
	48	999-088	CARBON BRUSH (1 PAIR)	2
	49	317-810	BRUSH HOLDER	2
	50	308-536	SPRING	2
	51	325-054	SWITCH HOLDER	1
	52	980-063	TERMINAL	2
	53	984-750	TAPPING SCREW (W/FLANGE) D4X16	2
	54	937-631	CORD CLIP	1
	55	953-327	CORD ARMOR D8.8	1
	56		NAME PLATE	1
	57	301-815	TAPPING SCREW (W/FLANGE) D4X45	2
*	58	325-057	HITACHI PLATE	1 EXCEPT FOR FIN, DEN, SWE, NOR
	59	325-052	TAIL COVER	1
*	60	500-234Z	CORD	1 (CORD ARMOR D8.8)
*	60	500-247Z	CORD	1 (CORD ARMOR D8.8) FOR FIN, DEN, SWE, NOR
*	60	500-461Z	CORD	1 (CORD ARMOR D8.8) FOR GBR (110V)
*	60	500-435Z	CORD	1 (CORD ARMOR D8.8) FOR GBR (230V)
*	60	500-447Z	CORD	1 (CORD ARMOR D8.8) FOR SUI
*	60	500-423Z	CORD	1 (CORD ARMOR D8.8) FOR KUW
*	60	500-240Z	CORD	1 (CORD ARMOR D8.8) FOR USA, CAN
*	60	500-439Z	CORD	1 (CORD ARMOR D8.8) FOR AUS, NZL
*	61	319-320	FASTON TERMINAL	2 FOR NOISE SUPPRESSOR

**STANDARD ACCESSORIES**

G 13SB3

ITEM NO.	CODE NO.	DESCRIPTION	NO. USED	REMARKS
501	938-332Z	WRENCH	1	
*	502	994-322	1	
*	502	956-633	1	FOR AUT, SUI, USA, CAN
*	503	325-496	1	FOR EUROPE
	504	325-515	1	

**OPTIONAL ACCESSORIES**

ITEM NO.	CODE NO.	DESCRIPTION	NO. USED	REMARKS
*	601	937-825Z	1	
*	601	938-317	1	FOR USA, CAN
*	602	937-826Z	1	
*	602	938-318	1	FOR USA, CAN
	603	314-062	1	SANDING DISCS 125MM C-P16 (10 PCS.)
	604	314-063	1	SANDING DISCS 125MM C-P20 (10 PCS.)
	605	314-064	1	SANDING DISCS 125MM C-P24 (10 PCS.)
	606	314-065	1	SANDING DISCS 125MM C-P30 (10 PCS.)
	607	314-066	1	SANDING DISCS 125MM C-P36 (10 PCS.)
	608	314-067	1	SANDING DISCS 125MM C-P40 (10 PCS.)
	609	314-068	1	SANDING DISCS 125MM C-P50 (10 PCS.)
	610	314-069	1	SANDING DISCS 125MM C-P60 (10 PCS.)
	611	314-070	1	SANDING DISCS 125MM C-P80 (10 PCS.)
	612	314-071	1	SANDING DISCS 125MM C-P100 (10 PCS.)
	613	314-072	1	SANDING DISCS 125MM C-P120 (10 PCS.)
*	614	994-312	1	WHEEL WASHER (C) FOR D20 HOLE
*	615	994-313	1	WHEEL WASHER (C) FOR D22.2 HOLE
*	616	310-338	1	SUPER WASHER
				EXCEPT FOR USA, CAN