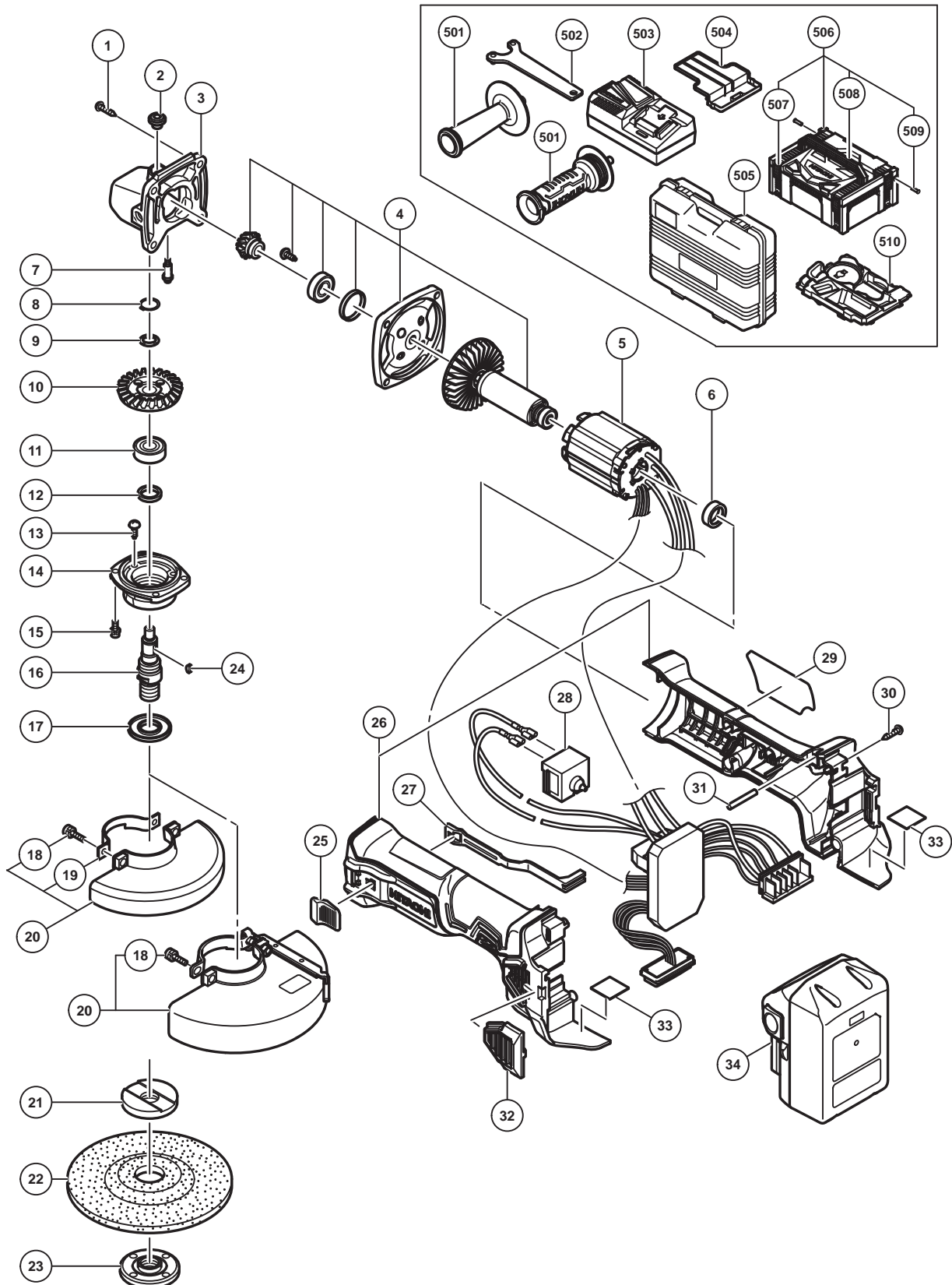


ELECTRIC TOOL PARTS LIST

CORDLESS DISC GRINDER
Model G 18DBL

2015 · 5 · 13
(E1)



PARTS

G 18DBL

| ITEM NO. | CODE NO. | DESCRIPTION | NO. USED | REMARKS | |
|----------|----------|--|--|------------|--------------------------------------|
| 1 | 328643 | TAPPING SCREW (W/FLANGE) D4 X 23 (BLACK) | 4 | | |
| 2 | 301944 | PUSHING BUTTON | 1 | | |
| 3 | 339183 | GEAR COVER ASS'Y | 1 | INCLUD.2,7 | |
| 4 | 360991 | ROTOR INNER COVER SET | 1 | | |
| 5 | 337878 | WIRING (18V SINGLE) | 1 | INCLUD.28 | |
| 6 | 338867 | BUSHING | 1 | | |
| 7 | 301943 | LOCK PIN | 1 | | |
| 8 | 316487 | RETAINING RING FOR D11 SHAFT | 1 | | |
| 9 | 316486 | WAVE WASHER | 1 | | |
| 10 | 328364 | GEAR | 1 | | |
| 11 | 6001VV | BALL BEARING 6001VVCMP2L | 1 | | |
| 12 | 301946 | FELT PACKING | 1 | | |
| 13 | 301936 | SLOTTED HD. SCREW (SEAL LOCK) M4 X 10 | 3 | | |
| 14 | 328198 | PACKING GLAND | 1 | | |
| 15 | 307127 | SEAL LOCK SCREW (W/SP. WASHER) M4 X 12 | 4 | | |
| * | 16 | 328359 | SPINDLE M14 | 1 | |
| * | 16 | 328197 | SPINDLE M10X1.5 | 1 | FOR CHN |
| | 17 | 301945 | FRINGER | 1 | |
| * | 18 | 308386 | MACHINE SCREW (W/SP. WASHER) M5 X 16 (BLACK) | 2 | FOR 100MM,115MM |
| * | 18 | 338868 | SLOTTED PLUS SCREW M5 | 2 | FOR 125MM |
| * | 18 | 338868 | SLOTTED PLUS SCREW M5 | 1 | FOR TOOLLESS WHEEL GUARD 115MM,125MM |
| * | 19 | 301949 | SET PLATE | 1 | FOR RUS,CHN,HOL |
| * | 20 | 331076 | WHEEL GUARD ASS'Y | 1 | INCLUD.18,19 100MM TYPE |
| * | 20 | 315492 | WHEEL GUARD ASS'Y | 1 | INCLUD.18,19 115MM TYPE |
| * | 20 | 331766 | WHEEL GUARD ASS'Y | 1 | INCLUD.18,19 125MM TYPE |
| * | 20 | 338579 | TOOLLESS WHEEL GUARD 115MM | 1 | INCLUD.18 |
| * | 20 | 333840 | TOOLLESS WHEEL GUARD 125MM | 1 | INCLUD.18 |
| * | 21 | 937817Z | WHEEL WASHER | 1 | |
| * | 21 | 320497 | WHEEL WASHER | 1 | FOR CHN |
| * | 22 | 316820 | D. C. WHEELS 100MM X 4T A36Q (25 PCS.) | 1 | |
| * | 22 | 316821 | D. C. WHEELS 115MM A36Q (25 PCS.) | 1 | |
| * | 22 | 316822 | D. C. WHEELS 125MM A36Q (25 PCS.) | 1 | |
| * | 23 | 337329 | WHEEL NUT M14 | 1 | |
| * | 23 | 321795 | WHEEL NUT (C) | 1 | FOR CHN |
| | 24 | 302047 | WOODRUFF KEY | 1 | |
| | 25 | 314428 | SLIDE KNOB | 1 | |
| | 26 | 338860 | HOUSING (A).(B) SET | 1 | |
| | 27 | 337871 | SLIDE BAR | 1 | |
| | 28 | 329057 | PUSHING BUTTON SWITCH | 1 | |
| | 29 | | NAME PLATE | 1 | |
| | 30 | 301653 | TAPPING SCREW (W/FLANGE) D4 X 20 (BLACK) | 5 | |
| | 31 | 338869 | PIN | 1 | |
| | 32 | 338870 | FILTER | 2 | |
| | 33 | 338871 | RUBBER CUSHION (B) | 2 | |
| * | 34 | 336385 | BATTERY BSL 1850 (EUROPE,AUS,NZL)(2 PCS.) | 2 | INCLUD.504 |
| * | 34 | 336265 | BATTERY BSL 1850 (CHN) | 2 | INCLUD.504 |
| | | | | | |
| | | | | | |
| | | | | | |
| | | | | | |

STANDARD ACCESSORIES

G 18DBL

| ITEM NO. | CODE NO. | DESCRIPTION | NO. USED | REMARKS |
|----------|----------|---------------------------|----------|-------------------------|
| * 501 | 318312 | SIDE HANDLE | 1 | |
| * 501 | 336865 | SIDE HANDLE | 1 | FOR VIBRATION-ABSORBING |
| * 502 | 938332Z | WRENCH | 1 | |
| * 502 | 313933 | WRENCH | 1 | FOR CHN |
| 503 | | CHARGER (MODEL UC 18YFSL) | 1 | |
| 504 | 329897 | BATTERY COVER | 1 | |
| * 505 | 337867 | CASE | 1 | |
| * 506 | 336471 | CASE ASS'Y (STACKABLE) | 1 | INCLUD.507-509 |
| * 507 | 336472 | LATCH | 4 | |
| * 508 | 336473 | HANDLE | 1 | |
| * 509 | 336474 | HINGE | 2 | |
| * 510 | 338872 | INNER TRAY | 1 | |
| | | | | |
| | | | | |
| | | | | |

OPTIONAL ACCESSORIES

| ITEM NO. | CODE NO. | DESCRIPTION | NO. USED | REMARKS |
|----------|----------|--------------------------------------|----------|------------------------|
| 601 | 937826Z | WASHER NUT | 1 | |
| 602 | 937825Z | RUBBER PAD | 1 | |
| * 603 | 314051 | SANDING DISCS 100MM C-P16 (10 PCS.) | 1 | FOR CHN |
| * 604 | 314052 | SANDING DISCS 100MM C-P20 (10 PCS.) | 1 | FOR CHN |
| * 605 | 314053 | SANDING DISCS 100MM C-P24 (10 PCS.) | 1 | FOR CHN |
| * 606 | 314054 | SANDING DISCS 100MM C-P30 (10 PCS.) | 1 | FOR CHN |
| * 607 | 314055 | SANDING DISCS 100MM C-P36 (10 PCS.) | 1 | FOR CHN |
| * 608 | 314056 | SANDING DISCS 100MM C-P40 (10 PCS.) | 1 | FOR CHN |
| * 609 | 314057 | SANDING DISCS 100MM C-P50 (10 PCS.) | 1 | FOR CHN |
| * 610 | 314058 | SANDING DISCS 100MM C-P60 (10 PCS.) | 1 | FOR CHN |
| * 611 | 314059 | SANDING DISCS 100MM C-P80 (10 PCS.) | 1 | FOR CHN |
| * 612 | 314060 | SANDING DISCS 100MM C-P100 (10 PCS.) | 1 | FOR CHN |
| * 613 | 314061 | SANDING DISCS 100MM C-P120 (10 PCS.) | 1 | FOR CHN |
| * 614 | 314095 | SANDING DISCS 115MM C-P16 (10 PCS.) | 1 | FOR ITA,RUS |
| * 615 | 314096 | SANDING DISCS 115MM C-P20 (10 PCS.) | 1 | FOR ITA,RUS |
| * 616 | 314097 | SANDING DISCS 115MM C-P24 (10 PCS.) | 1 | FOR ITA,RUS |
| * 617 | 314098 | SANDING DISCS 115MM C-P30 (10 PCS.) | 1 | FOR ITA,RUS |
| * 618 | 314099 | SANDING DISCS 115MM C-P36 (10 PCS.) | 1 | FOR ITA,RUS |
| * 619 | 314100 | SANDING DISCS 115MM C-P40 (10 PCS.) | 1 | FOR ITA,RUS |
| * 620 | 314101 | SANDING DISCS 115MM C-P50 (10 PCS.) | 1 | FOR ITA,RUS |
| * 621 | 314102 | SANDING DISCS 115MM C-P60 (10 PCS.) | 1 | FOR ITA,RUS |
| * 622 | 314103 | SANDING DISCS 115MM C-P80 (10 PCS.) | 1 | FOR ITA,RUS |
| * 623 | 314104 | SANDING DISCS 115MM C-P100 (10 PCS.) | 1 | FOR ITA,RUS |
| * 624 | 314105 | SANDING DISCS 115MM C-P120 (10 PCS.) | 1 | FOR ITA,RUS |
| * 625 | 332785 | WHEEL GUARD (FOR CUTTING) | 1 | FOR ITA,RUS |
| * 626 | 314062 | SANDING DISCS 125MM C-P16 (10 PCS.) | 1 | EXCEPT FOR CHN,ITA,RUS |
| * 627 | 314063 | SANDING DISCS 125MM C-P20 (10 PCS.) | 1 | EXCEPT FOR CHN,ITA,RUS |
| * 628 | 314064 | SANDING DISCS 125MM C-P24 (10 PCS.) | 1 | EXCEPT FOR CHN,ITA,RUS |
| * 629 | 314065 | SANDING DISCS 125MM C-P30 (10 PCS.) | 1 | EXCEPT FOR CHN,ITA,RUS |
| * 630 | 314066 | SANDING DISCS 125MM C-P36 (10 PCS.) | 1 | EXCEPT FOR CHN,ITA,RUS |

