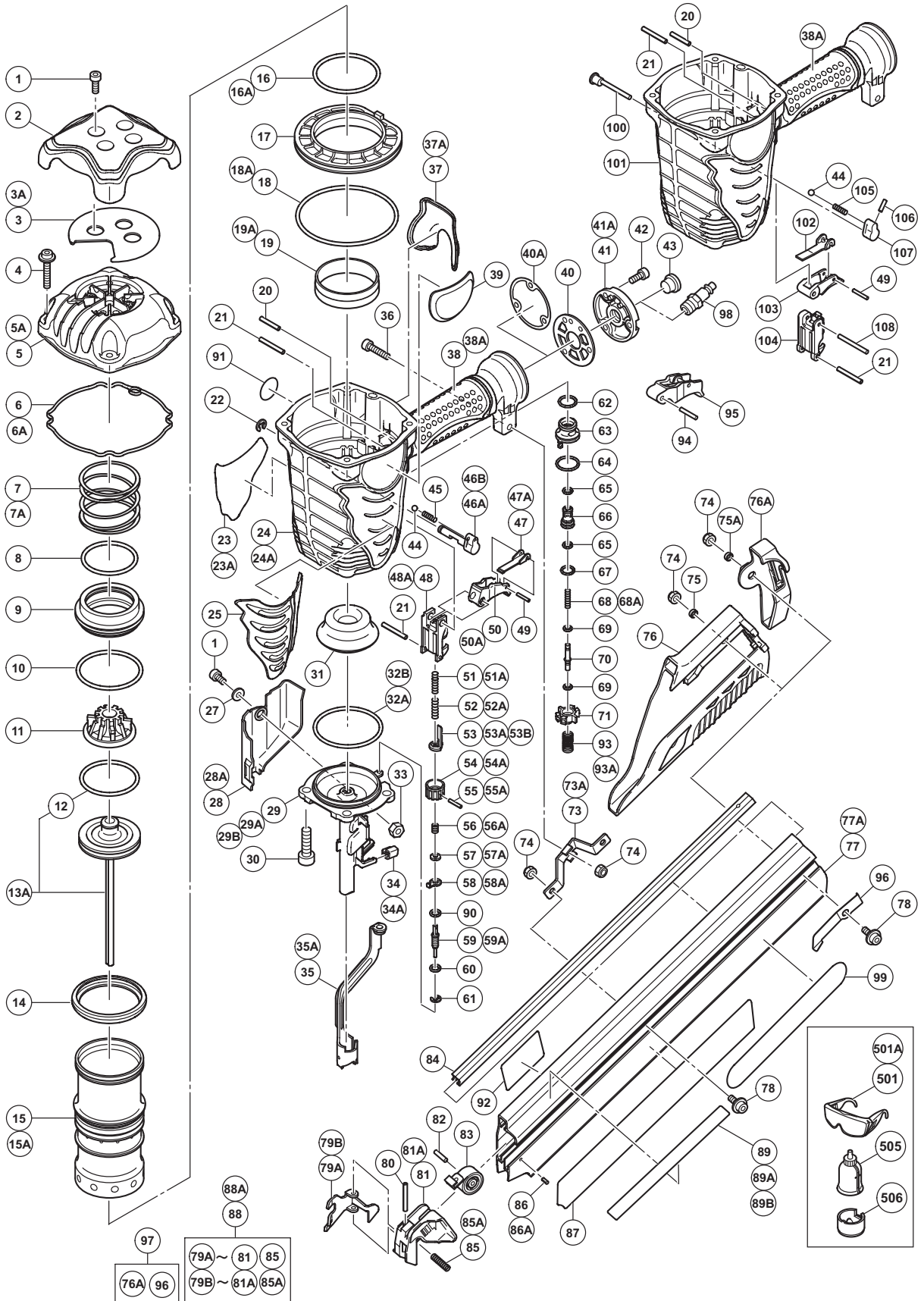


## PNEUMATIC TOOL PARTS LIST

**STRIP NAILER**  
**Model NR 90AD**

**2011-2-3**  
**(E3)**



**PARTS**

NR 90AD

ITEM NO.	CODE NO.	DESCRIPTION	NO. USED	REMARKS
1	949-665	HEX. SOCKET HD. BOLT M5 X 14 (10 PCS.)	5	
2	884-952	HEAD GUARD	1	
* 3	884-986	SHEET	1	
* 3A	886-454	SHEET	1	FOR EUROPE, USA, CAN
4	878-877	HEX. SOCKET HD. BOLT (W/FLANGE) M6 X 30	4	
* 5	884-951	EXHAUST COVER	1	
* 5A	886-261	EXHAUST COVER	1	FOR EUROPE, USA, CAN
* 6	884-953	GASKET (A)	1	
* 6A	886-455	GASKET (A)	1	FOR EUROPE, USA, CAN
* 7	884-949	HEAD VALVE SPRING	1	
* 7A	886-456	HEAD VALVE SPRING	1	FOR EUROPE, USA, CAN
8	884-947	O-RING (I.D 49.4)	1	
9	884-946	HEAD VALVE	1	
10	884-948	O-RING (I.D 59.4)	1	
11	884-950	EXHAUST VALVE RUBBER	1	
12	884-958	PISTON O-RING	1	
13A	885-917	PISTON ASS'Y	1	INCLUD. 12
14	884-945	VALVE RUBBER	1	
* 15	884-941	CYLINDER	1	
* 15A	886-457	CYLINDER	1	FOR EUROPE, USA, CAN
* 16	884-942	O-RING (I.D 59.6)	1	
* 16A	886-480	O-RING (I.D 59.6)	1	FOR EUROPE, USA, CAN
17	884-944	CYLINDER PLATE	1	
* 18	884-943	O-RING (I.D 94.6)	1	
* 18A	886-481	O-RING (I.D 94.6)	1	FOR EUROPE, USA, CAN
* 19	877-317	CYLINDER RING	1	
* 19A	886-483	CYLINDER RING	1	FOR EUROPE, USA, CAN
20	949-539	ROLL PIN D3 X 25 (10 PCS.)	1	
21	884-975	ROLL PIN D3 X 32	2	
* 22	955-479	RETAINING RING (E-TYPE) FOR D6 SHAFT	1	
* 23		NAME PLATE	1	
* 23A		NAME PLATE	1	FOR MODEL (S)
* 24	884-940	BODY ASS'Y	1	INCLUD. 37, 38
* 24A	886-259	BODY ASS'Y	1	INCLUD. 37A, 38A FOR EUROPE, USA, CAN
* 25	884-956	PROTECTOR	1	FOR AUS, NZL
27	876-205	WASHER	1	
* 28	884-976	PUSHING LEVER COVER (A)	1	
* 28A	886-874	PUSH LEVER COVER (A)	1	FOR EUROPE, USA, CAN
* 29	884-961	NOSE	1	
* 29A	886-863	NOSE	1	FOR EUROPE, USA, CAN
* 29B	887-663	NOSE	1	FOR MODEL (S)
30	306-437	NYLOCK HEX. SOCKET HD. BOLT M8 X 30	4	
31	884-959	PISTON BUMPER	1	
* 32A	884-989	O-RING (I.D 60)	1	
* 32B	886-482	O-RING (I.D 60)	1	FOR EUROPE, USA, CAN
33	877-371	NYLON NUT M5	1	
* 34	884-985	NOSE RUBBER	2	
* 34A	886-458	NOSE RUBBER	2	FOR EUROPE, USA, CAN
* 35	884-970	PUSHING LEVER (A)	1	
* 35A	886-865	PUSHING LEVER (A)	1	FOR EUROPE, USA, CAN

**PARTS**

NR 90AD

ITEM NO.	CODE NO.	DESCRIPTION	NO. USED	REMARKS	
	36	949-670	HEX. SOCKET HD. BOLT M6 X 22 (10 PCS.)	1	
*	37	884-987	GRIP RUBBER (B)	1	
*	37A	886-260	GRIP RUBBER (B)	1	FOR EUROPE, USA, CAN
*	38		GRIP RUBBER (A)	1	SUPPLIED WITH ITEM NO. 601, 602
*	38A		GRIP RUBBER (A)	1	SUPPLIED WITH ITEM NO. 601, 602
					FOR EUROPE, USA, CAN
	39		HITACHI LABEL	1	
*	40	883-678	GASKET (B)	1	
*	40A	884-342	GASKET (B)	1	FOR EUROPE, USA, CAN
*	41	884-954	CAP	1	
*	41A	881-949	CAP	1	FOR EUROPE, USA, CAN
	42	949-821	HEX. SOCKET HD. BOLT M5 X 16 (10 PCS.)	3	
	43	872-035	DUST CAP	1	
	44	959-155	STEEL BALL D3.97 (10 PCS.)	1	
*	45	982-454	SPRING (C)	1	
*	46A	885-658	CHANGE KNOB (C)	1	
*	46B	886-265	CHANGE KNOB (C)	1	FOR EUROPE, USA, CAN
*	47	884-988	TRIGGER ARM (C)	1	
*	47A	885-689	TRIGGER ARM (C)	1	FOR EUROPE, USA, CAN
*	48	884-969	PUSHING LEVER GUIDE	1	FOR AUS
*	48	884-995	PUSH LEVER GUIDE (B)	1	FOR NZL
*	48A	886-864	PUSHING LEVER GUIDE	1	FOR EUROPE, USA, CAN
	49	881-951	ROLL PIN D2.5 X 16	1	
*	50	884-967	TRIGGER (C)	1	INCLUD.47,49
*	50A	885-657	TRIGGER (C) ASS'Y	1	INCLUD. 47A, 49 FOR EUROPE, USA, CAN
*	51	883-302	PUSHING LEVER SPRING (B)	1	
*	51A	886-861	PUSH LEVER SPRING (B)	1	FOR USA, CAN
*	51A	886-879	PUSH LEVER SPRING (D)	1	FOR EUROPE
*	52	883-305	PUSHING LEVER SPRING (A)	1	
*	52A	886-860	PUSH LEVER SPRING (A)	1	FOR USA, CAN
*	52A	886-878	PUSH LEVER SPRING (C)	1	FOR EUROPE
*	53	884-972	PUSHING LEVER (C)	1	
*	53A	886-867	PUSH LEVER (C)	1	FOR EUROPE, USA, CAN
*	53B	887-664	PUSHING LEVER (D)	1	FOR MODEL (S)
*	54	884-974	ADJUSTER	1	
*	54A	886-872	ADJUSTER	1	FOR EUROPE, USA, CAN
*	55	880-093	ROLL PIN D2 X 16	1	
*	55A	886-873	ROLL PIN D2 X 16	1	FOR EUROPE, USA, CAN
*	56	882-890	ADJUSTER SPRING	1	
*	56A	886-870	ADJUSTER SPRING	1	FOR EUROPE, USA, CAN
*	57	884-973	ADJUSTER PLATE (C)	1	
*	57A	886-869	ADJUSTER PLATE (C)	1	FOR EUROPE, USA, CAN
*	58	882-886	ADJUSTER PLATE (A)	1	
*	58A	886-868	ADJUSTER PLATE (A)	1	FOR EUROPE, USA, CAN
*	59	884-971	PUSHING LEVER (B)	1	
*	59A	886-866	PUSH LEVER (B)	1	FOR EUROPE, USA, CAN
	60	872-822	O-RING (S-5)	1	
	61	872-971	RETAINING RING (E-TYPE) FOR D3 SHAFT	1	
	62	877-763	FEED PISTON O-RING (I.D. 14)	1	
	63	884-963	VALVE BUSHING (B)	1	

**PARTS**

NR 90AD

ITEM NO.	CODE NO.	DESCRIPTION	NO. USED	REMARKS
64	873-570	O-RING (P-18)	1	
65	676-531	O-RING (P-7)	2	
66	884-964	VALVE PISTON	1	
67	872-654	O-RING (1AP-10)	1	
* 68	884-966	PLUNGER SPRING	1	
* 68A	887-178	PLUNGER SPRING	1	FOR EUROPE, USA, CAN
69	878-888	O-RING (I.D. 1.8)	2	
70	884-965	PLUNGER	1	
71	884-962	VALVE BUSHING (A)	1	
* 73	884-984	HANDLE ARM	1	
* 73A	886-877	HANDLE ARM	1	FOR EUROPE, USA, CAN
74	963-837	NYLON NUT M6	4	
* 75	883-499	SLEEVE	1	
* 75A	886-273	SLEEVE	1	FOR EUROPE, USA, CAN
* 76	884-979	MAGAZINE COVER	1	
* 76A	887-493	MAGAZINE COVER	1	FOR EUROPE, USA, CAN
* 77	884-977	MAGAZINE	1	
* 77A	886-858	MAGAZINE	1	FOR EUROPE, USA, CAN
78	984-443	HEX. SOCKET HD. BOLT (W/FLANGE) M6 X 12	3	
* 79A	884-981	NAIL FEEDER (A)	1	
* 79B	886-875	NAIL FEEDER (A)	1	FOR EUROPE, USA, CAN
80	949-682	ROLL PIN D4 X 32 (10 PCS.)	1	
* 81	884-982	NAIL FEEDER (B)	1	
* 81A	886-876	NAIL FEEDER (B)	1	FOR EUROPE, USA, CAN
82	943-364	NEEDLE ROLLER D4 X 20	1	
83	883-503	RIBBON SPRING	1	
84	884-978	NAIL RAIL	1	
* 85	884-983	FEEDER SPRING	1	
* 85A	886-278	FEEDER SPRING	1	FOR EUROPE, USA, CAN
* 86	949-749	ROLL PIN D3 X 8 (10 PCS.)	1	
* 86A	887-619	ROLL PIN D3 X 8	1	FOR EUROPE, USA, CAN
* 87	884-955	LABEL (B)	1	FOR AUS, NZL
* 88	884-980	NAIL FEEDER ASS'Y	1	INCLUD. 79A-81, 85
* 88A	887-490	NAIL FEEDER ASS'Y	1	INCLUD. 79B, 80, 81A, 85A FOR EUROPE, USA, CAN
* 89		LABEL (C)	1	
* 89A	887-489	LABEL (C)	1	FOR EUROPE, USA, CAN
* 89B	887-665	LABEL (C)	1	FOR MODEL (S)
90	981-317	O-RING (S-4)	1	
* 91	883-513	WARNING LABEL(A)	1	FOR EUROPE
* 92	878-183	WARNING LABEL	1	FOR EUROPE
* 93	884-994	TRIGGER ARM SPRING	1	FOR NZL
* 93A	887-682	TRIGGER ARM SPRING	1	FOR MODEL (S)
* 94	949-518	ROLL PIN D3 X 18 (10 PCS.)	1	FOR NZL
* 95	884-993	TRIGGER (D)	1	FOR NZL
* 96	886-280	NAIL STOPPER	1	FOR EUROPE, USA, CAN
* 97	887-488	MAGAZINE COVER ASS'Y	1	INCLUD. 76A, 96 FOR EUROPE, USA, CAN
* 98		AIR PLUG NPT 3/8	1	FOR EUROPE, USA, CAN
* 99		LABEL (B)	1	FOR USA, CAN
* 100	887-668	CHANGE ROD (D)	1	FOR MODEL (S)
* 101	887-669	BODY ASS'Y	1	INCLUD. 37A, 38A FOR MODEL (S)

# PARTS

NR 90AD

ITEM NO.	CODE NO.	DESCRIPTION	NO. USED	REMARKS	
* 102	887-670	TRIGGER ARM (D)	1	FOR MODEL (S)	
* 103	887-671	TRIGGER (D) ASS'Y	1	INCLUD. 49, 102 FOR MODEL (S)	
* 104	887-672	PUSHING LEVER GUIDE (D)	1	FOR MODEL (S)	
* 105	887-673	SPRING	1	FOR MODEL (S)	
* 106	887-458	ROLL PIN D3 X 10 (10 PCS.)	1	FOR MODEL (S)	
* 107	887-674	CHANGE KNOB (D)	1	FOR MODEL (S)	
* 108	887-675	ROLL PIN D3 X 35	1	FOR MODEL (S)	

### STANDARD ACCESSORIES

ITEM NO.	CODE NO.	DESCRIPTION	NO. USED	REMARKS
*	501	875-769	SAFETY GLASSES	1
*	501A	886-572	SAFETY GLASSES	1 FOR NZL
*	505	877-153	PNEUMATIC TOOL LUBRICANT (30CC)	1 FOR EUROPE
*	506	886-401	NOSE CAP (A)	1 FOR EUROPE

### OPTIONAL ACCESSORIES

ITEM NO.	CODE NO.	DESCRIPTION	NO. USED	REMARKS
	601	881-768	GRIP TAPE (A)	1
	602	880-407	TAPE	1
	603	884-991	O-RING KIT	1 INCLUD. 604-611
	604	884-953	GASKET (A)	1
	605	884-947	O-RING (I.D 49.4)	1
	606	884-948	O-RING (I.D 59.4)	1
	607	884-958	PISTON O-RING	1
	608	884-942	O-RING (I.D 59.6)	1
	609	884-943	O-RING (I.D 94.6)	1
	610	877-317	CYLINDER RING	1
	611		INSTRUCTION MANUAL	1
	612	884-992	FULL SEQUENTIAL ACTUATION MECHANISM KIT	1 INCLUDE. 613-616
	613	884-993	TRIGGER (D)	1
	614	884-995	PUSH LEVER GUIDE (B)	1
	615	884-994	TRIGGER ARM SPRING	1
	616	949-518	ROLL PIN D3 X 18 (10 PCS.)	1
*	617	886-401	NOSE CAP (A)	1 FOR USA, AUS, NZL