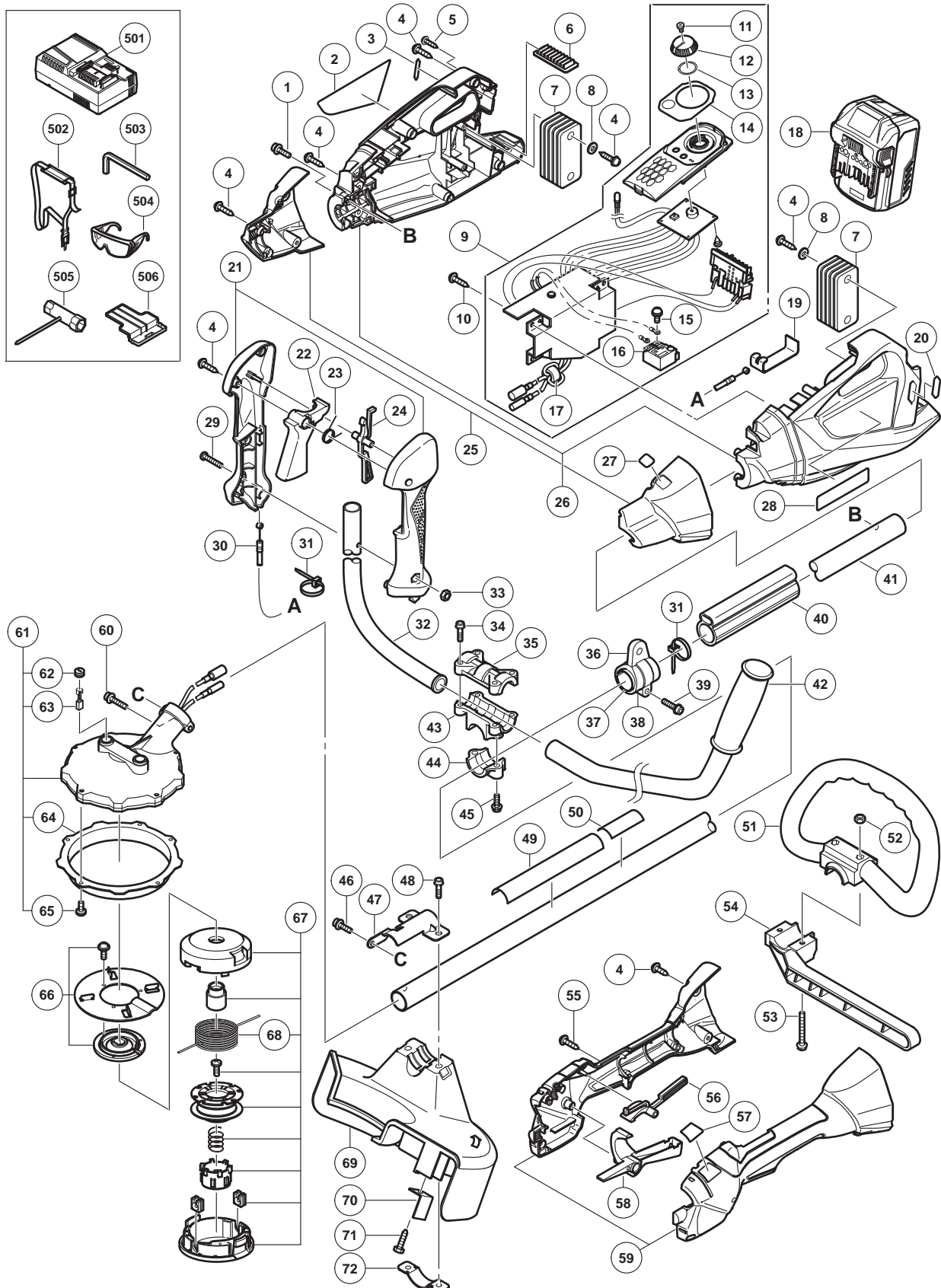


ELECTRIC TOOL PARTS LIST

■ CORDLESS GRASS TRIMMER
Model CG 36DA

2018-2-14
(E1)



PARTS

CG 36DA

ITEM NO.	CODE NO.	DESCRIPTION	NO. USED	REMARKS
1	996728	HEX. SOCKET HD. BOLT (W/WASHERS) M5 X 16	1	
2		NAME PLATE	1	
3		MV LABEL (B)	1	
4	301653	TAPPING SCREW (W/FLANGE) D4 X 20 (BLACK)	21	
5	313687	TAPPING SCREW (W/FLANGE) D3 X 16 (BLACK)	1	
6	370328	BUTTERY RUBBER (B)	1	
7	335748	COUNTER WEIGHT	10	
8	329140	WASHER (M)	4	
* 9	373117	CONTROLLER	1	INCLUD.11-17
* 9	373118	CONTROLLER	1	INCLUD.11-17 FOR MODEL (L)
10	984750	TAPPING SCREW (W/FLANGE) D4 X 16	4	
11	333162	MACHINE SCREW M1.7 X 3.5	1	
12	332550	DIAL	1	
13	876031	O-RING (S-16)	1	
14		PANEL SHEET	1	
15	980060	MACHINE SCREW (W/WASHER) M3.5 X 5	2	
16	332552	SWITCH	1	
17	334379	FERRITE CORE	1	
18	371750	BATTERY BSL 36A18 (EUROPE,AUS,NZL)	1	INCLUD.506
* 19	330771	PLATE	1	EXCEPT FOR MODEL (L)
20		MV LABEL (A)	1	
* 21	334541	HANDLE (A).(B) SET	1	EXCEPT FOR MODEL (L)
* 22	334544	LEVER	1	EXCEPT FOR MODEL (L)
* 23	332557	SPRING	1	EXCEPT FOR MODEL (L)
* 24	6696490	LOCK LEVER	1	EXCEPT FOR MODEL (L)
* 25	335229	COVER (A).(B) SET	1	EXCEPT FOR MODEL (L)
26	373360	HOUSING (A).(B) SET	1	
* 27		LABEL (B)	1	EXCEPT FOR MODEL (L)
28		BRAND LABEL	1	
* 29	323041	MACHINE SCREW M5 X 30 (BLACK)	1	EXCEPT FOR MODEL (L)
* 30	335749	WIRE	1	EXCEPT FOR MODEL (L)
* 31	988054	CABLE TIE	2	EXCEPT FOR MODEL (L)
* 32	335750	HANDLE RIGHT	1	EXCEPT FOR MODEL (L)
* 33	302012	NUT M5 (BLACK)	1	EXCEPT FOR MODEL (L)
* 34	6684709	HEX. HOLE BOLT M5 X 25/S	4	EXCEPT FOR MODEL (L)
* 35	6600500	HANDLE HOLDER (A)	1	EXCEPT FOR MODEL (L)
36	6684705	HANGER	1	
37	6684704	HANGER COLLAR	1	
38	6684706	HANGER FIXING BRACKET	1	
39	6684709	HEX. HOLE BOLT M5 X 25/S	1	
* 40	6689292	CUSHION PAD	1	EXCEPT FOR MODEL (L)
41	335226	MAIN PIPE	1	
* 42	6698638	HANDLE (LEFT)	1	EXCEPT FOR MODEL (L)
* 43	6600501	HANDLE HOLDER (B)	1	EXCEPT FOR MODEL (L)
* 44	6696578	HANDLE HOLDER (C)	1	EXCEPT FOR MODEL (L)
* 45	6684714	HEX. HOLE BUTTON BOLT M6 X 25	2	EXCEPT FOR MODEL (L)
46	6699176	HEX. SOCKET HD. BOLT (W/SP.WASHER) M5 X 12	1	
47	333321	COVER BRACKET	1	
48	6684714	HEX. HOLE BUTTON BOLT M6 X 25	2	
49		CAUTION LABEL (B)	1	

PARTS

ITEM NO.	CODE NO.	DESCRIPTION	NO. USED	REMARKS
*	50	LEVEL MARK (B)	1	FOR MODEL (L)
*	51	6696975 LOOP HANDLE	1	FOR MODEL (L)
*	52	949556 NUT M6 (10 PCS.)	2	FOR MODEL (L)
*	53	6696974 BOLT (BLACK) M6	2	FOR MODEL (L)
*	54	6696973 BARRIER	1	FOR MODEL (L)
*	55	334333 TAPPING SCREW D3 X 12 (BLACK)	1	FOR MODEL (L)
*	56	335752 LOCK LEVER	1	FOR MODEL (L)
*	57	LABEL (D)	1	FOR MODEL (L)
*	58	335239 LEVER	1	FOR MODEL (L)
*	59	335231 HANDLE (A).(B) SET	1	FOR MODEL (L)
	60	6684973 HEX.HOLE BOLT M5 X 30/WS	1	
	61	335220 DISC MOTOR ASS'Y	1	INCLUD.62-65
	62	334294 BRUSH CAP	2	
	63	999016 CARBON BRUSH (1 PAIR)	2	
	64	334297 FAN COVER	1	
	65	333163 MACHINE SCREW (BLACK) M4 X 16	5	
	66	335758 FLANGE	1	
	67	335234 NYLON HEAD	1	INCLUD.68
	68	335235 NYLON CORD D2.0 X 4M	1	
	69	333899 COVER	1	
	70	6684754 KNIFE	1	
	71	6684753 TAPPING SCREW 5 X 20	1	
	72	6696951 GUARD HOLDER	1	

STANDARD ACCESSORIES

CG 36DA

ITEM NO.	CODE NO.	DESCRIPTION	NO. USED	REMARKS
501		CHARGER (MODEL UC 18YSL3)	1	
* 502	330787	SHOULDER BELT	1	FOR NZL
503	6684813	HEX. BAR WRENCH 4MM	1	
504	875769	PROTECTIVE GLASSES	1	
505	6684764	BOX WRENCH (HEX. SOCKET 17/19)	1	
506	329897	BATTERY COVER	1	

OPTIONAL ACCESSORIES

ITEM NO.	CODE NO.	DESCRIPTION	NO. USED	REMARKS
* 601	335233	STABILIZER	1	EXCEPT FOR MODEL (L)
* 602	335759	U-NUT (LEFT HAND) M10	1	EXCEPT FOR MODEL (L)
* 603	6684767	CUTTING BLADE 4 X 230, TYPE M	1	EXCEPT FOR MODEL (L)
* 604	6684768	CUTTER COVER	2	EXCEPT FOR MODEL (L)