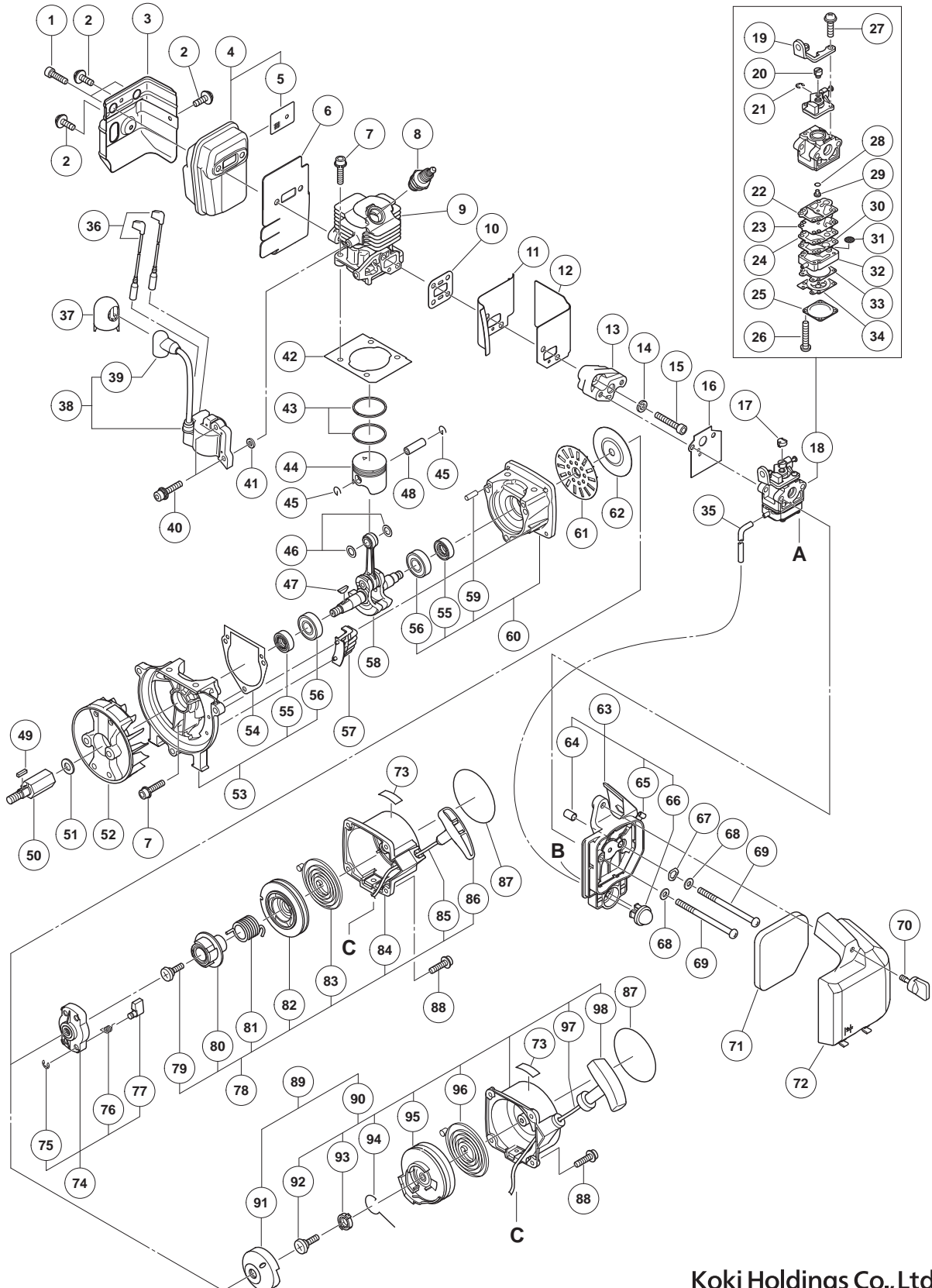
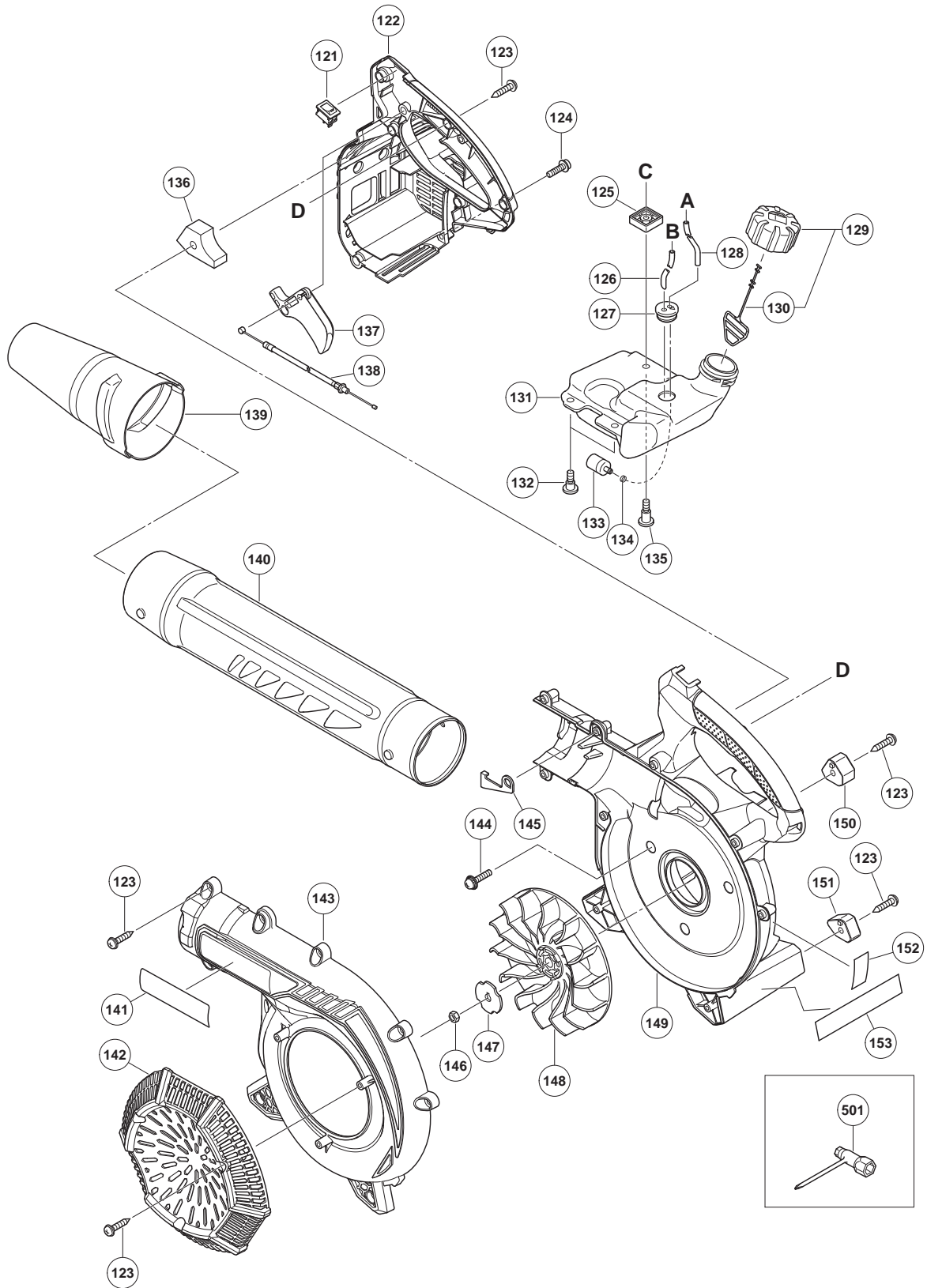


ENGINE TOOL PARTS LIST

ENGINE BLOWER Model RB 27EAP

2018-11-30
(E1)





PARTS

RB 27EAP

ITEM NO.	CODE NO.	DESCRIPTION	NO. USED	REMARKS
1	6600518	SEAL LOCK HEX. SOCKET HD. BOLT M6 X 16	2	
2	6601439	MACHINE SCREW (W/WASHERS) M4 X 8 (BLACK)	3	
3	6601510	HEAT SHIELD	1	
4	6601488	MUFFLER ASS'Y	1	INCLUD.2,3,5
5	6601438	SPARK ARRESTER	1	
6	6601492	HEAT PROTECTION PANEL	1	
7	6601339	HEX. SOCKET HD. BOLT (W/SP.WASHER) M5 X 22	7	
8	6600542	IGNITION PLUG (TORCH L7RTC)	1	
9	6600903	CYLINDER N27	1	
10	6684865	INSULATOR GASKET	1	
11	6601490	AIR DEFLECTOR	1	
12	6601593	DEFLECTOR PACKING	1	
13	6601491	CARBURETOR INSULATOR	1	
14	6600910	SPRING WASHER D6	2	
15	6601358	SEAL LOCK HEX. SOCKET HD. BOLT M6 X 27	2	
16	6698405	CARBURETOR PACKING	1	
17	6691337	SWIVEL CAP	1	
18	6601487	CARBURETOR ASS'Y	1	INCLUD.19-34
19	6699287	CABLE ADJUST STAY	1	
20	6696830	SWIVEL	1	
21	6684696	STOP RING	1	
22	6684692	PUMP GASKET	1	
23	6684693	PUMP DIAPHRAGM	1	
24	6691242	PUMP PLATE	1	
25	6685222	DIAPHRAGM COVER-METERING	1	
26	6691312	SET SCREW	4	
27	6696829	SET SCREW M3 X 12	2	
28	6684695	O-RING	1	
29		JET	1	
30	6691234	CIRCUIT PLATE	1	
31	6684700	INLET SCREEN	1	
32	6696828	PUMP BODY COMP.	1	
33	6685220	DIAPHRAGM PACKING-METERING	1	
34	6684690	METERING DIAPHRAGM	1	
35	6601444	FUEL PIPE	1	
36	6601505	CORD	2	
37	6601598	PLUG CAP COVER	1	
38	6698397	IGNITION COIL ASS'Y	1	INCLUD.39
39	6696833	CORD	1	
40	6698388	HEX. SOCKET HD. BOLT (W/WASHERS) M4 X 18	2	
41	6698700	GLASS WASHER	2	
42	6600510	CYLINDER PACKING	1	
43	6601353	PISTON RING	2	
44	6600905	PISTON (M)	1	
45	6684590	CIR CLIP	2	
46	6600909	SHIM	2	
47	6601343	WOODRUFF KEY 3 X 13 X 4.5	1	
48	6601344	PISTON PIN	1	
49	937177	FEATHER KEY 3 X 3 X 12	1	
50	6601594	SPECIAL BOLT (A)	1	

PARTS

RB 27EAP

ITEM NO.	CODE NO.	DESCRIPTION	NO. USED	REMARKS
51	323212	BOLT WASHER M8 (BLACK)	1	
52	6699289	MAGNETO ROTOR	1	
53	6601619	CRANK CASE (F) ASS'Y	1	INCLUD.55,56
54	6600514	CRANK CASE PACKING	1	
55	6684607	OIL SEAL TB 12227	2	
56	6684608	BALL BEARING 6001 C3	2	
57	6600924	CRANK CASE GUARD	1	
58	6601624	CRANK SHAFT	1	
59	6696947	KNOCK PIN 4 X 12	2	
60	6601620	CRANK CASE (R) ASS'Y	1	INCLUD.55,56,59
61	6601625	RECOIL FAN (A)	1	
62	6601626	RECOIL FAN (B)	1	
* 63	6600911	AIR CLEANER BASE ASS'Y	1	INCLUD.64-66
* 63	6601621	AIR CLEANER BASE (A) ASS'Y	1	INCLUD.64-66 FOR USA,CAN
64	6601340	COLLAR M5	1	
* 65	6601341	CHOKE VALVE	1	
* 65	6601622	CHOKE VALVE	1	FOR USA,CAN
66	6685139	PRIMING PUMP COMP.	1	
67	334242	WAVE WASHER 8	1	
68	6685407	BOLT WASHER D5	2	
69	6601592	SCREW M5 X 55	2	
70	6601509	COVER SETTING BOLT	1	
71	6600529	AIR CLEANER ELEMENT	1	
72	6601484	AIR CLEANER COVER	1	
73	6698921	TANK MARK LABEL (50:1)	1	
* 74	6684681	STARTER PULLEY ASS'Y	1	INCLUD.75-77 FOR AUS,NZL
* 75	6685101	D4E RETAINING RING	1	FOR AUS,NZL
* 76	6684684	STARTER PAWL SPRING	2	FOR AUS,NZL
* 77	6684685	STARTER PAWL	2	FOR AUS,NZL
* 78	6601570	RECOIL STARTER BODY ASS'Y	1	INCLUD.79-86 FOR AUS,NZL
* 79	6684679	SET SCREW	1	FOR AUS,NZL
* 80	6699996	CAM PLATE	1	FOR AUS,NZL
* 81	6684677	DAMPER SPRING	1	FOR AUS,NZL
* 82	6699997	STARTER ROPE REEL	1	FOR AUS,NZL
* 83	6684675	RECOIL SPRING	1	FOR AUS,NZL
* 84	6684673	RECOIL STARTER BODY COMP.	1	FOR AUS,NZL
* 85	6684674	STARTER ROPE 3.5 X 860	1	FOR AUS,NZL
* 86	6684680	STARTER HANDLE	1	FOR AUS,NZL
87		NAME PLATE	1	
88	6601591	HEX. SOCKET HD. BOLT (W/FLANGE) M4 X 14	4	
* 89	6600408	RECOIL STARTER ASS'Y	1	INCLUD.90,91 FOR EUROPE,USA,CAN
* 90	6600406	RECOIL ASS'Y	1	INCLUD.92-98 FOR EUROPE,USA,CAN
* 91	6600407	STARTER PULLEY	1	FOR EUROPE,USA,CAN
* 92	6600404	RECOIL SET SCREW	1	FOR EUROPE,USA,CAN
* 93	6600402	SWING ARM HOLDER	1	FOR EUROPE,USA,CAN
* 94	6600401	SWING ARM	1	FOR EUROPE,USA,CAN
* 95	6600405	RECOIL REEL	1	FOR EUROPE,USA,CAN
* 96	6600403	RECOIL SPRING	1	FOR EUROPE,USA,CAN
* 97	6600400	RECOIL ROPE 3 X 800	1	FOR EUROPE,USA,CAN
* 98	6600399	RECOIL HANDLE	1	FOR EUROPE,USA,CAN

PARTS

RB 27EAP

ITEM NO.	CODE NO.	DESCRIPTION	NO. USED	REMARKS	
	121	6601275	STOP SWITCH	1	
*	122	6601482	MUFFLER PROTECTOR (VERMILION)	1	
*	122	6601483	MUFFLER PROTECTOR (GREEN)	1	FOR AUS,USA,CAN
	123	302089	TAPPING SCREW (W/FLANGE) D5 X 20 (BLACK)	20	
	124	6601591	HEX. SOCKET HD. BOLT (W/FLANGE) M4 X 14	1	
	125	6699558	SPACER	1	
	126	6699014	FUEL PIPE L70	1	
	127	6600358	FUEL GROMMET	1	
*	128	6600521	FUEL PIPE L140	1	
*	128	6600522	FUEL PIPE L140	1	FOR USA,CAN
	129	6698402	FUEL TANK CAP ASS'Y	1	INCLUD.130
	130	6698732	TANK CAP CHAIN	1	
*	131	6600519	TANK	1	
*	131	6600520	TANK	1	FOR USA,CAN
	132	6696574	BOLT (W/FLANGE) L17.8	2	
	133	6600351	PUMP FILTER	1	
	134	6696949	CLIP	1	
	135	6698512	BOLT (W/FLANGE) L23.8	1	
	136	6601623	HEAT PROTECTION SPONGE	1	
	137	6698391	THROTTLE LEVER	1	
	138	6698399	THROTTLE WIRE COMP.	1	
	139	6698394	NOZZLE (B)	1	
	140	6601600	NOZZLE (A)	1	
	141		BRAND LABEL	1	
	142	6601486	GUARD NET (A)	1	
*	143	6601477	VOLUTE CASE (A) VERMILION	1	
*	143	6601478	VOLUTE CASE (A) GREEN	1	FOR AUS,USA,CAN
	144	6600920	MACHINE SCREW (W/WASHERS) M5 X 18	3	
	145	6601501	STOPPER PLATE (A)	1	
	146	6684932	U-NUT M8	1	
	147	6601627	WASHER (A)	1	
	148	6601485	FAN	1	
*	149	6601479	FAN CASE (VERMILION)	1	
*	149	6601480	FAN CASE (GREEN)	1	FOR AUS,USA,CAN
	150	6601595	WEIGHT (F)	1	
	151	6601629	WEIGHT (R)	1	
*	152	6601628	START LABEL (C)	1	FOR USA,CAN (HITACHI)
	153		CAUTION LABEL	1	

STANDARD ACCESSORIES

RB 27EAP

ITEM NO.	CODE NO.	DESCRIPTION	NO. USED	REMARKS
* 501	6684764	BOX WRENCH (HEX. SOCKET 17/19)	1	EXCEPT FOR USA,CAN

OPTIONAL ACCESSORIES

ITEM NO.	CODE NO.	DESCRIPTION	NO. USED	REMARKS
601	6699184	FLAT NOZZLE	1	