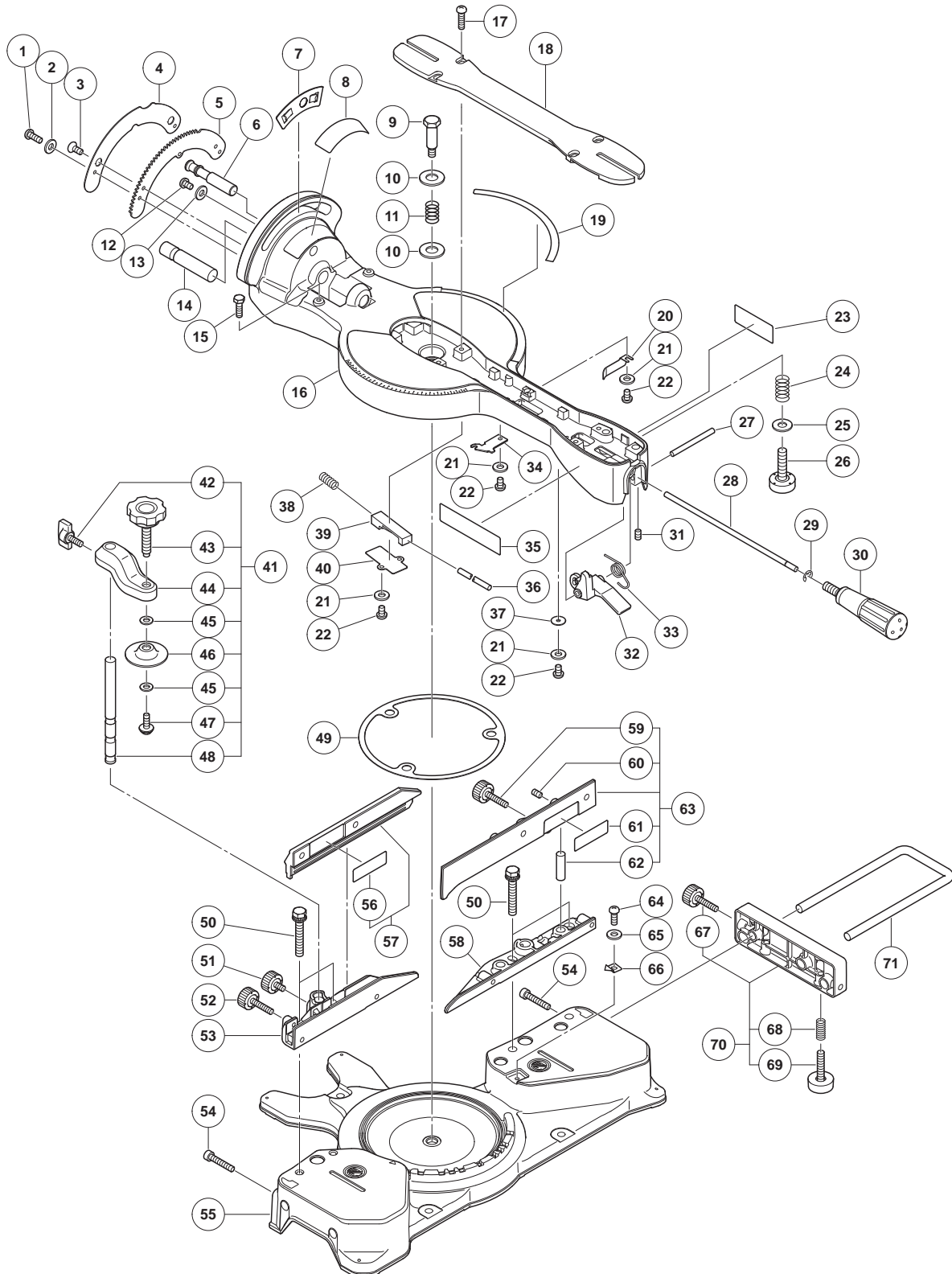
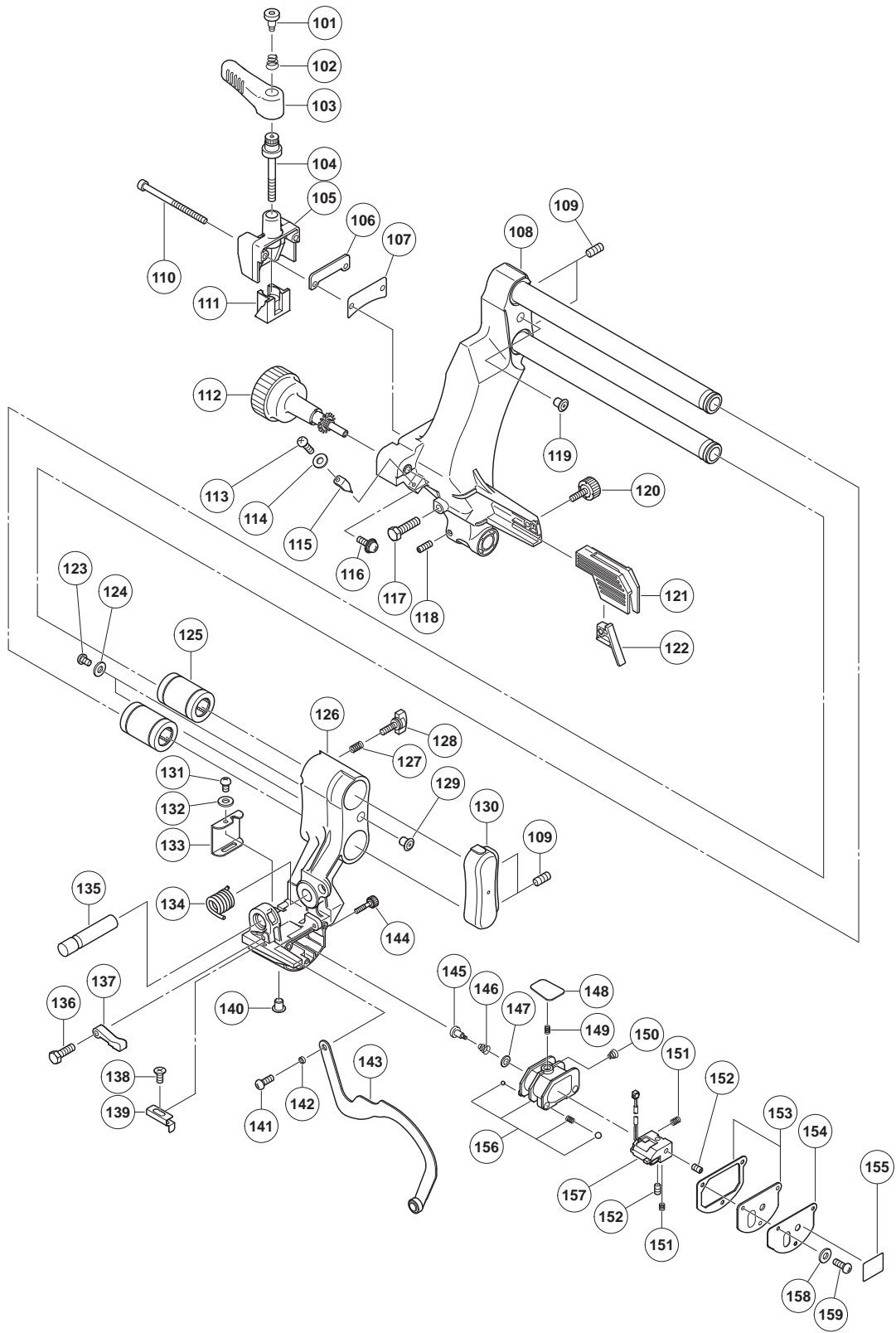
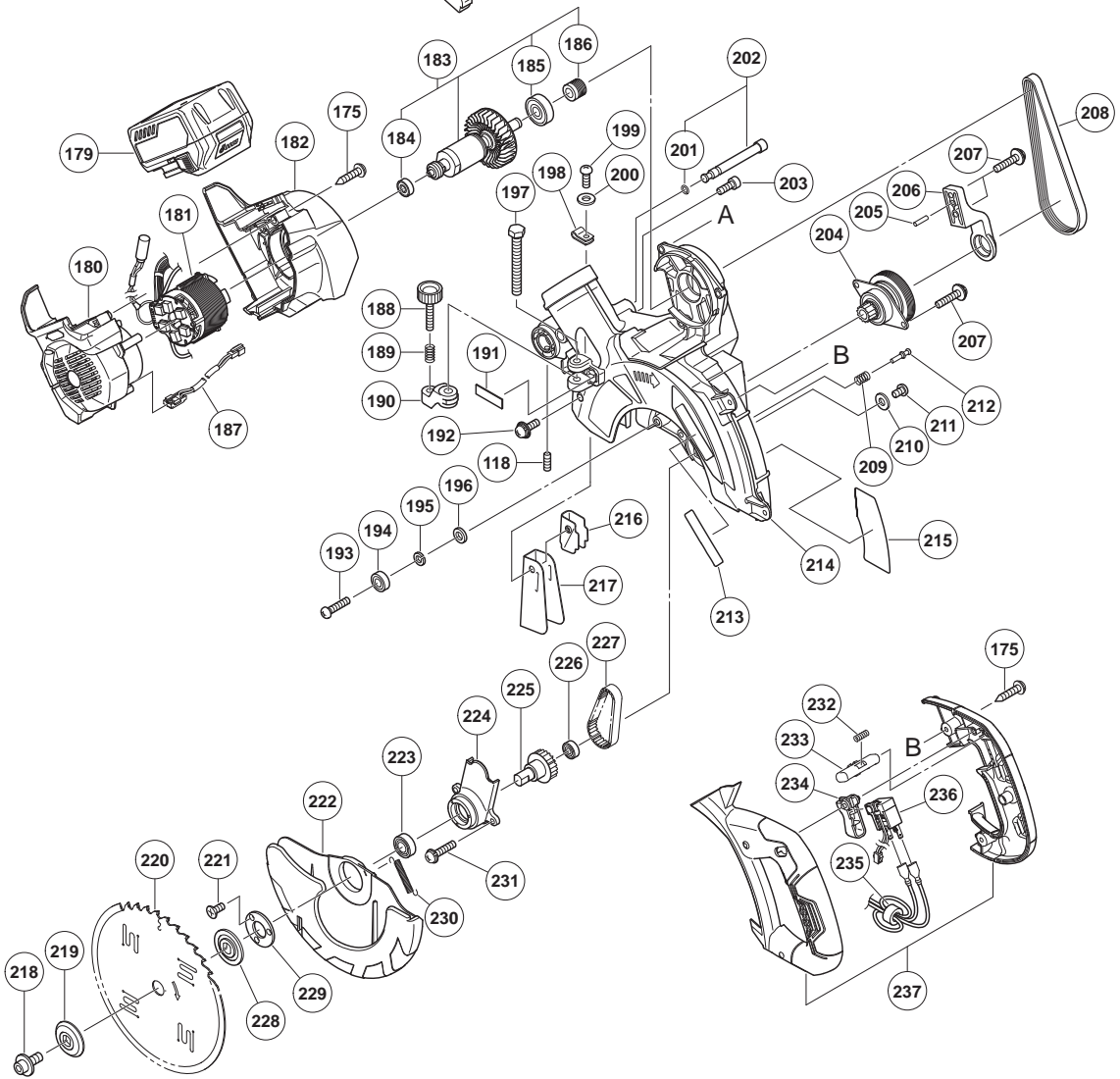
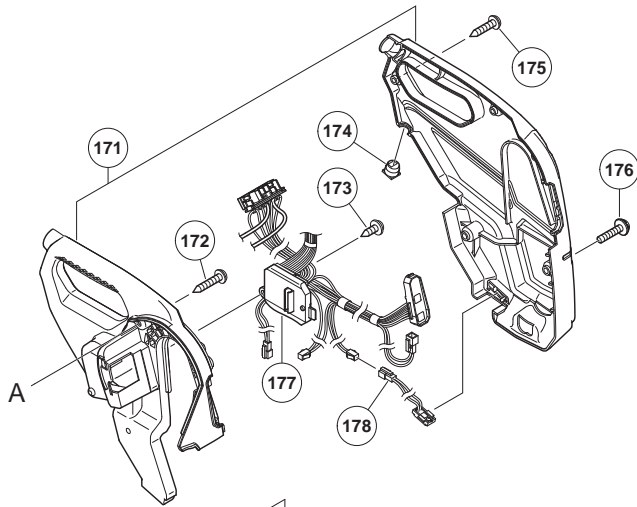
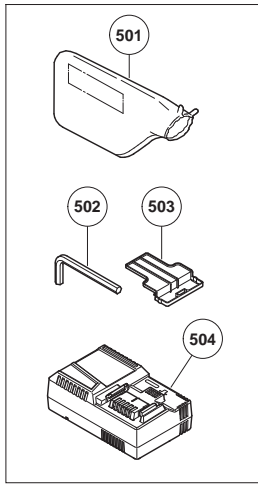


ELECTRIC TOOL PARTS LIST

■ CORDLESS SLIDE COMPOUND MITER SAW 2019- 1 - 25 Model C 3607DRA (E1)







PARTS

C 3607DRA

ITEM NO.	CODE NO.	DESCRIPTION	NO. USED	REMARKS
1	949217	MACHINE SCREW M4 X 12 (10 PCS.)	2	
2	949429	BOLT WASHER M4 (10 PCS.)	2	
3	949322	FLAT HD. SCREW M4 X 10 (10 PCS.)	3	
4	325560	PLATE (C)	1	
5	325559	GEAR (A)	1	
6	322337	SET PIN (A)	1	
7	322275	LINER (A)	1	
8	373559	SCALE (B)	1	
9	329418	SHAFT (B)	1	
10	949437	BOLT WASHER M12 (10 PCS.)	2	
11	312481	SPRING	1	
12	949215	MACHINE SCREW M4 X 8 (10 PCS.)	1	
13	949429	BOLT WASHER M4 (10 PCS.)	1	
14	312489	SHAFT (C)	1	
15	307724	SEAL LOCK BOLT M6 X 20 (BLACK)	2	
16	373548	TURN TABLE ASS'Y	1	INCLUD.1-5,8,19-22,24-29,31-34,36-40
17	302317	MACHINE SCREW M5 X 16 (BLACK)	4	
18	373530	TABLE INSERT	1	
19	373558	SCALE (A)	1	
20	321342	SPACER (A)	1	
21	949429	BOLT WASHER M4 (10 PCS.)	4	
22	949215	MACHINE SCREW M4 X 8 (10 PCS.)	4	
* 23		NAME PLATE	1	FOR USA,CAN
24	988540	HANDLE SPRING	1	
25	949434	BOLT WASHER M10 (10 PCS.)	1	
26	988891	SET SCREW	1	
27	321339	LEVER SHAFT	1	
28	334378	SHAFT (A)	1	
29	673489	RETAINING RING (E-TYPE) FOR D5 SHAFT	1	
30	322283	SIDE HANDLE	1	
31	987860	SEAL LOCK HEX. SOCKET SET SCREW M6 X 6	1	
32	321338	LEVER	1	
33	321340	SPRING (D)	1	
34	322279	COVER (B)	1	
35		CAUTION LABEL	1	
36	322281	SHAFT (C)	1	
37	333965	THRUST WASHER	1	
38	321417	SPRING (E)	1	
39	322280	STOPPER (A)	1	
40	321336	PIN COVER	1	
41	374636	WISE ASS'Y	1	INCLUD.42-48
42	307947	WING BOLT M6 X 12	1	
43	374637	KNOB BOLT M10	1	
44		SCREW HOLDER	1	
45	996722	WASHER	2	
46	322047	WISE PLATE	1	
47	329911	MACHINE SCREW (W/WASHERS) M5 X 12 (BLACK)	1	
48	322321	WISE SHAFT	1	
49	312478	LINER	1	
50	307221	BOLT (W/WASHERS) M8 X 35 (BLACK)	4	

PARTS

C 3607DRA

ITEM NO.	CODE NO.	DESCRIPTION	NO. USED	REMARKS
51	998836	KNOB BOLT M6 X 11	1	
52	960017	KNOB BOLT M6 X 32	1	
53	373552	FENCE (B)	1	
54	949652	HEX. SOCKET HD. BOLT M6 X 25 (10 PCS.)	2	
55	373554	BASE	1	
56		CAUTION LABEL (B)	1	
57	373553	SUB FENCE (B) ASS'Y	1	INCLUD.56
58	373549	FENCE (A)	1	
59	960017	KNOB BOLT M6 X 32	1	
60	991396	HEX. SOCKET SET SCREW M6 X 6	2	
61		CAUTION LABEL (A)	1	
62	374635	PIN	2	
63	373550	SUB FENCE (A) ASS'Y	1	INCLUD.59-62
64	949217	MACHINE SCREW M4 X 12 (10 PCS.)	1	
65	949429	BOLT WASHER M4 (10 PCS.)	1	
66	322288	INDICATOR	1	
67	960017	KNOB BOLT M6 X 32	1	
68	998852	SPRING	2	
69	374639	SET SCREW	2	
70	374638	SUB TABLE (E) ASS'Y	2	INCLUD.67-69
71	998844	HOLDER	2	
101	305180	CLUTCH SCREW	1	
102	305179	CLUTCH SPRING	1	
103	312488	CLAMP LEVER	1	
104	323903	BOLT M8 X 65	1	
105	323904	STOPPER HOLDER (C)	1	
106	325561	PLATE (D)	1	
107	325563	PLATE (E)	1	
108	373533	HOLDER (A) ASS'Y	1	INCLUD.109,119,130
109	961554	HEX. SOCKET SET SCREW M8 X 10	4	
110	975807	HEX. SOCKET HD. BOLT M6 X 55	2	
111	323905	STOPPER (C)	1	
112	325562	KNOB (B)	1	
113	949217	MACHINE SCREW M4 X 12 (10 PCS.)	2	
114	949429	BOLT WASHER M4 (10 PCS.)	2	
115	321329	INDICATOR	2	
116	996247	MACHINE SCREW (W/WASHERS) M5 X 12 (BLACK)	1	
117	303409	NYLOCK BOLT M8 X 25	1	
118	307956	SEAL LOCK HEX. SOCKET SET SCREW M6 X 10	2	
119	312672	BASE RUBBER	1	
120	998879	KNOB BOLT	1	
121	329784	GUARD	1	
122	331845	GUARD HOLDER	1	
123	949215	MACHINE SCREW M4 X 8 (10 PCS.)	2	
124	949429	BOLT WASHER M4 (10 PCS.)	2	
125	326140	BALL BUSHING	2	
126	373534	HINGE (A)	1	
127	947859	LOCK SPRING	1	
128	302459	WING BOLT M6 X 17	1	
129	312672	BASE RUBBER	1	

PARTS

C 3607DRA

ITEM NO.	CODE NO.	DESCRIPTION	NO. USED	REMARKS
130	329492	SUPPORT	1	
131	949215	MACHINE SCREW M4 X 8 (10 PCS.)	1	
132	949429	BOLT WASHER M4 (10 PCS.)	1	
133	320183	COVER	1	
134	329785	SPRING	1	
135	329786	HINGE SHAFT (A)	1	
136	307724	SEAL LOCK BOLT M6 X 20 (BLACK)	1	
137	322292	STOPPER (B)	1	
138	949322	FLAT HD. SCREW M4 X 10 (10 PCS.)	1	
139	322293	SPACER (D)	1	
140	312672	BASE RUBBER	1	
141	949237	MACHINE SCREW M5 X 12 (10 PCS.)	1	
142	998980	SPACER	1	
143	329787	LINK	1	
144	319270	ADJUSTER	1	
145	305180	CLUTCH SCREW	1	
146	305179	CLUTCH SPRING	1	
147	962614	ADJUSTING WASHER (B) T0.5	1	
148	319268	PLATE (B)	1	
149	319267	SPRING	1	
150	305179	CLUTCH SPRING	1	
151	319267	SPRING	2	
152	319541	SEAL LOCK HEX. SOCKET SET SCREW M5 X 6	2	
153	319271	COVER (A)	1	
154	322291	PLATE (A)	1	
155		CAUTION LABEL (J)	1	
156	319269	HOLDER (B)	1	
157	329863	LASER MARKER	1	
158	949429	BOLT WASHER M4 (10 PCS.)	3	
159	949217	MACHINE SCREW M4 X 12 (10 PCS.)	3	
171	373564	HANDLE (L).(R) SET	1	
172	305558	TAPPING SCREW (W/FLANGE) D5 X 25 (BLACK)	3	
173	305720	TAPPING SCREW (W/FLANGE) D4 X 12	1	
174	319349	CORD BUSH	1	
175	301653	TAPPING SCREW (W/FLANGE) D4 X 20 (BLACK)	10	
176	374941	NYLOCK SCREW M5 X 20	2	
177	373702	CONTROLLER	1	
178	373707	LIGHT	1	
* 179	371750	BATTERY BSL 36A18 (EUROPE,AUS,NZL)	2	INCLUD.503
180	373561	HOUSING (B)	1	
181	341006	STATOR FET PCB	1	
182	373560	HOUSING (A)	1	
183	361089	ROTOR ASS'Y	1	INCLUD.184-186
184	371919	BALL BEARING 606VVMC3E	1	
185	333946	BALL BEARING 6200VVCM	1	
186	373536	PULLEY (A)	1	
187	373706	LIGHT	1	
188	961468	KNOB BOLT M6 X 37	1	
189	988821	LOCK SPRING	1	
190	322314	STOPPER HOLDER	1	

PARTS

C 3607DRA

ITEM NO.	CODE NO.	DESCRIPTION	NO. USED	REMARKS
191	322313	SPRING PLATE	1	
192	304043	MACHINE SCREW (W/WASHERS) M4 X 10 (BLACK)	1	
193	949258	MACHINE SCREW M6 X 20 (10 PCS.)	1	
194	606ZZM	BALL BEARING 606VV	1	
195	949455	SPRING WASHER M6 (10 PCS.)	1	
196	949425	WASHER M6 (10 PCS.)	1	
197	303410	NYLOCK BOLT M8 X 40	1	
198	980523	NYLON CLIP	1	
199	949217	MACHINE SCREW M4 X 12 (10 PCS.)	1	
200	949429	BOLT WASHER M4 (10 PCS.)	1	
201	984528	O-RING (P-6)	1	
202	329815	STOPPER PIN ASS'Y	1	INCLUD.201
203	877839	SEAL LOCK HEX. SOCKET HD. BOLT M5 X 10	1	
204	373545	SECOND SHAFT SET	1	
205	983545	NEEDLE ROLLER	1	
206	373538	BEARING HOLDER (B)	1	
207	995096	MACHINE SCREW (W/WASHERS) M5 X 20 (BLACK)	4	
208	373539	BELT	1	
209	329800	LOCK SPRING	1	
210	949429	BOLT WASHER M4 (10 PCS.)	1	
211	949215	MACHINE SCREW M4 X 8 (10 PCS.)	1	
212	373540	STOPPER PIN	1	
213		BRAND LABEL	1	
214	373541	GEAR CASE	1	
* 215		NAME PLATE	1	
216	329814	GUIDE HOLDER	1	
217	329813	DUST GUIDE	1	
218	371730	LEFT HEX. SOCKET BOLT M7	1	
219	329819	WASHER (B)	1	
* 220	374928	TCT SAW BLADE 185MM-D20 HOLE-NT40	1	
* 220	374927M	TCT SAW BLADE 185MM-D15.9 HOLE-NT40	1	FOR USA,CAN
221	308773	SEAL LOCK FLAT HD. SCREW M3 X 12	3	
222	373551	LOWER GUARD	1	
223	323118	BALL BEARING 6901VV-N	1	
224	373544	BEARING HOLDER	1	
225	373542	SPINDLE	1	
226	606ZZM	BALL BEARING 606VV	1	
227	373543	TIMING BELT	1	
* 228	329818	WASHER (A)	1	
* 228	373556	WASHER (A)	1	FOR USA,CAN
229	329789	COVER (A)	1	
230	315710	RETURN SPRING	1	
231	987512	MACHINE SCREW (W/SP. WASHER) M5 X 16	2	
232	301631	SPRING (F)	1	
233	373562	KNOB	1	
234	338899	TRIGGER	1	
235	334379	FERRITE CORE	1	
236	371907	SWITCH	1	
237	373563	SWITCH HANDLE (L).(R) SET	1	

