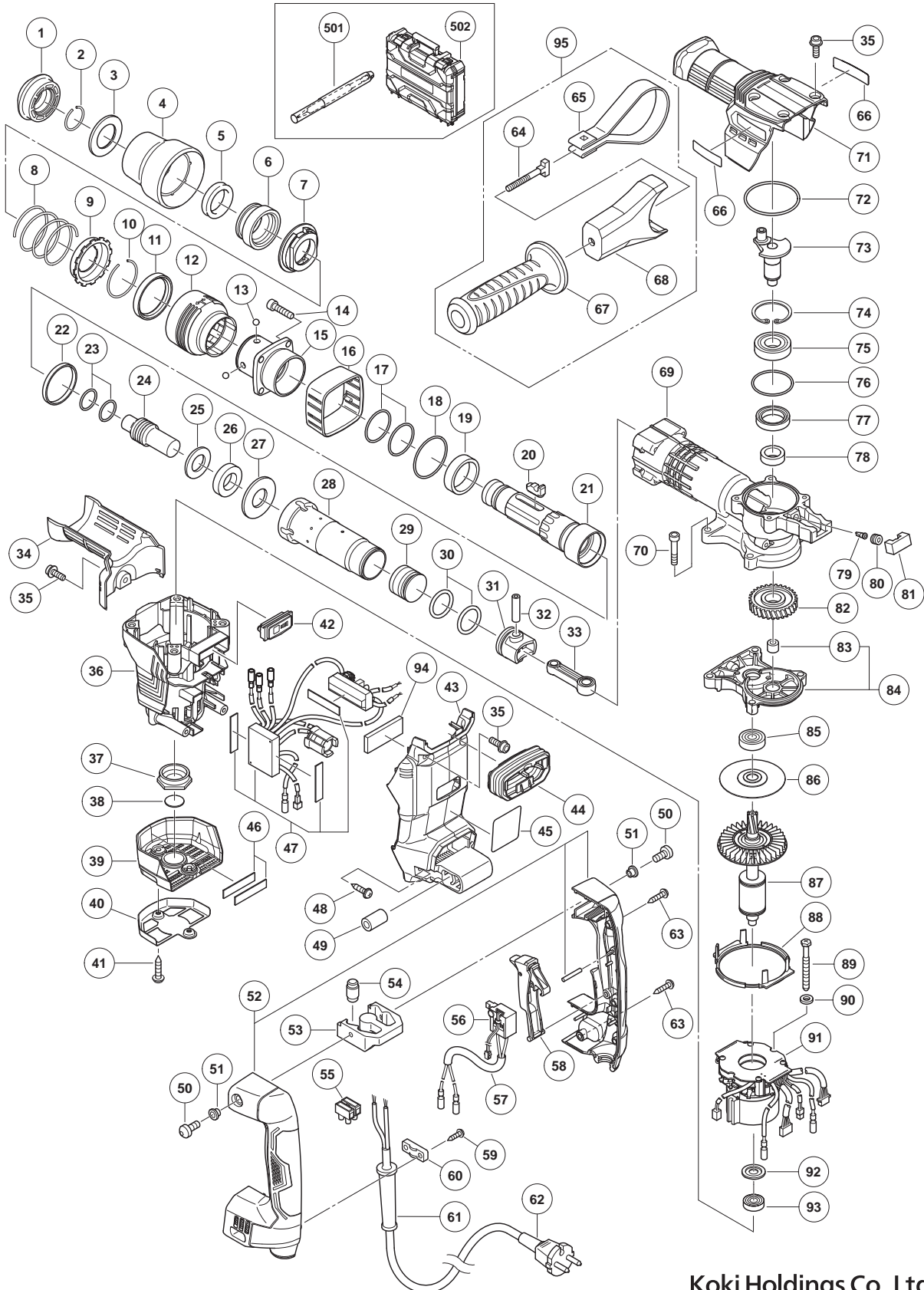


ELECTRIC TOOL PARTS LIST

DEMOLITION HAMMER Model H 41ME

2019- 3 -18
(E1)



PARTS

H 41ME

ITEM NO.	CODE NO.	DESCRIPTION	NO. USED	REMARKS
1	337562	FRONT CAP	1	
2	318590	STOPPER RING	1	
3	370172	RETAINER WASHER	1	
4	370173	GRIP	1	
5	337559	RETAINER DAMPER (A)	1	
6	337558	BIT LOCK HOLDER	1	
7	370242	SPRING HOLDER (A)	1	
8	370243	RETAINER SPRING	1	
9	370244	SPRING HOLDER (B)	1	
10	333255	STOPPER RING	1	
11	373288	BALL HOLDER	1	
12	373279	GRIP (B)	1	
13	959150	STEEL BALL D6.35 (10 PCS.)	4	
14	981942	SEAL LOCK HEX. SOCKET HD. BOLT M6 X 25	4	
15	373280	FRONT COVER	1	
16	373236	TOP COVER	1	
17	980879	O-RING (S-34)	2	
18	373251	O-RING (I.D 44.5)	1	
19	373281	RETAINER DAMPER (B)	1	
20	370654	BIT LOCK	2	
21	373284	RETAINER SLEEVE	1	
22	373249	DAMPER (C)	1	
23	313396	O-RING (C)	2	
24	373285	SECOND HAMMER	1	
25	373286	DAMPER WASHER	1	
26	321289	DAMPER	1	
27	373287	DAMPER HOLDER	1	
28	374774	CYLINDER	1	
29	373283	STRIKER	1	
30	320823	O-RING	2	
31	320824	PISTON	1	
32	373256	PISTON PIN	1	
33	373275	CONNECTING ROD	1	
34	373234	HOOD	1	
35	998485	HEX. SOCKET HD. BOLT (W/FLANGE) M5 X 14	7	
36	373629	HOUSING	1	
37	310111	BEARING BUSHING (B)	1	
38	333263	DUST SEAL	1	
39	373631	TAIL COVER	1	
40	373633	PLATE	1	
41	301653	TAPPING SCREW (W/FLANGE) D4 X 20 (BLACK)	2	
42	375353	PANEL	1	
43	373628	BACK COVER	1	
44	373252	BELLOWS	1	
45		NAME PLATE	1	
46	373635	RUBBER SHEET	2	
* 47	375395	DC FILTER PCB (A) 100V-127V	1	
* 47	375396	DC FILTER PCB (A) 220V-240V	1	
48	302089	TAPPING SCREW (W/FLANGE) D5 X 20 (BLACK)	2	
49	375357	DANPER (D)	1	

PARTS

H 41ME

ITEM NO.	CODE NO.	DESCRIPTION	NO. USED	REMARKS
50	373263	SEAL LOCK BUTTON BOLT M5	2	
51	991711	DISTANCE PIECE (B)	2	
52	375354	HANDLE (A).(B) SET	1	
53	373231	TRANSATORY UNIT	1	
54	310124	HANDLE DAMPER	4	
55	958308Z	PILLAR TERMINAL (A)	1	
56	375398	SWITCH (A)	1	
57	375397	TUBE	1	
58	373640	TRIGGER	1	
59	984750	TAPPING SCREW (W/FLANGE) D4 X 16	2	
60	960266	CORD CLIP	1	
* 61	958049	CORD ARMOR D8.2	1	
* 61	940778	CORD ARMOR D10.7	1	
* 62	500390Z	CORD	1	(CORD ARMOR D8.2)
* 62	500235Z	CORD	1	(CORD ARMOR D8.2) FOR INA,IND,PAN (220V)
* 62	500434Z	CORD	1	(CORD ARMOR D8.2) FOR MEX,PAN (120V)
* 62	500408Z	CORD	1	(CORD ARMOR D8.2) FOR AUS,NZL
* 62	500440Z	CORD	1	(CORD ARMOR D8.2) FOR UAE (230V)
* 62	500477Z	CORD	1	(CORD ARMOR D10.7) FOR UAE (110V)
63	301653	TAPPING SCREW (W/FLANGE) D4 X 20 (BLACK)	4	
64	331247	HANDLE BOLT	1	
65	373245	BAND	1	
66		BRAND LABEL	2	
67	330209	SIDE HANDLE	1	
68	373244	MOUNT	1	
69	373289	CYLINDER CRANK CASE ASS'Y	1	INCLUD.79,80
70	322494	SEAL LOCK HEX. SOCKET HD. BOLT M6 X 40	4	
71	374477	CRANK COVER	1	
72	373250	O-RING (I.D 53.9)	1	
73	373246	CRANK SHAFT	1	
74	948391	RETAINING RING FOR D40 HOLE	1	
75	6203DD	BALL BEARING 6203DDCMPS2L	1	
76	996363	O-RING (S-40)	1	
77	310119	OIL SEAL	1	
78	373254	DISTANCE RING	1	
79	995396	VALVE	1	
80	338313	CAP SCREW	1	
81	374461	FELT	1	
82	373255	FIRST GEAR	1	
83	373278	NEEDLE BEARING	1	
84	373271	GEAR COVER ASS'Y	1	INCLUD.83
85	6201DD	BALL BEARING 6201DDCMPS2L	1	
86	374478	GUIDE WASHER	1	
87	361092	ROTOR	1	
88	373632	FAN GUIDE	1	
89	373634	HEX. HD. TAPPING SCREW D4 X 45	2	
90	323210	BOLT WASHER M4 (BLACK)	2	
* 91	341004	STATOR PCB 100V-127V	1	
* 91	341005	STATOR PCB 220V-240V	1	
92	982631	WASHER (A)	1	

