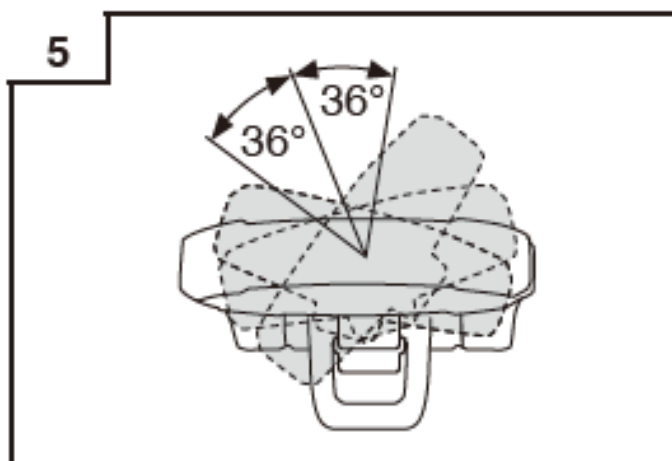
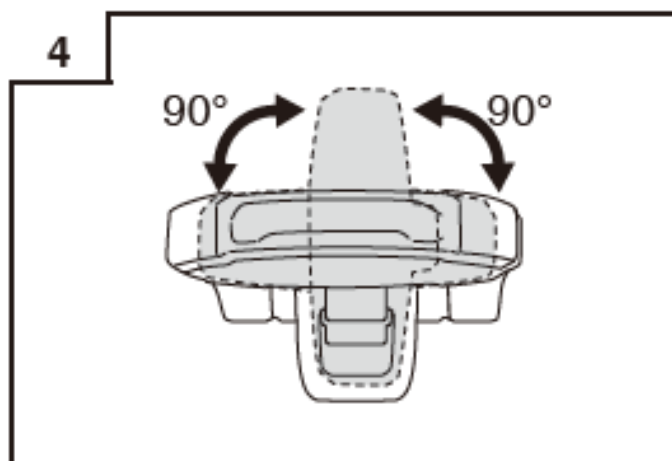
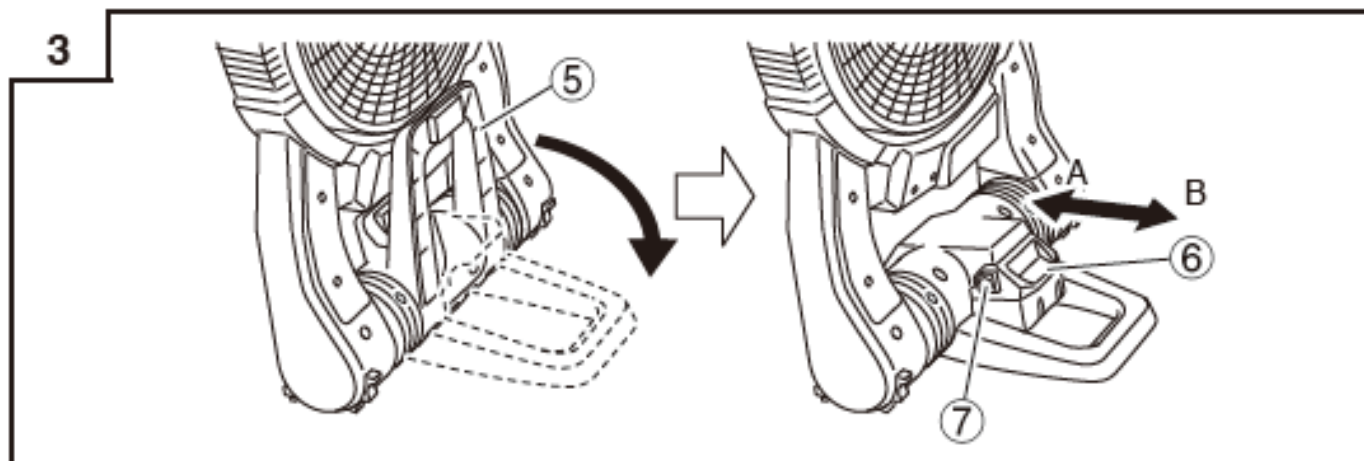
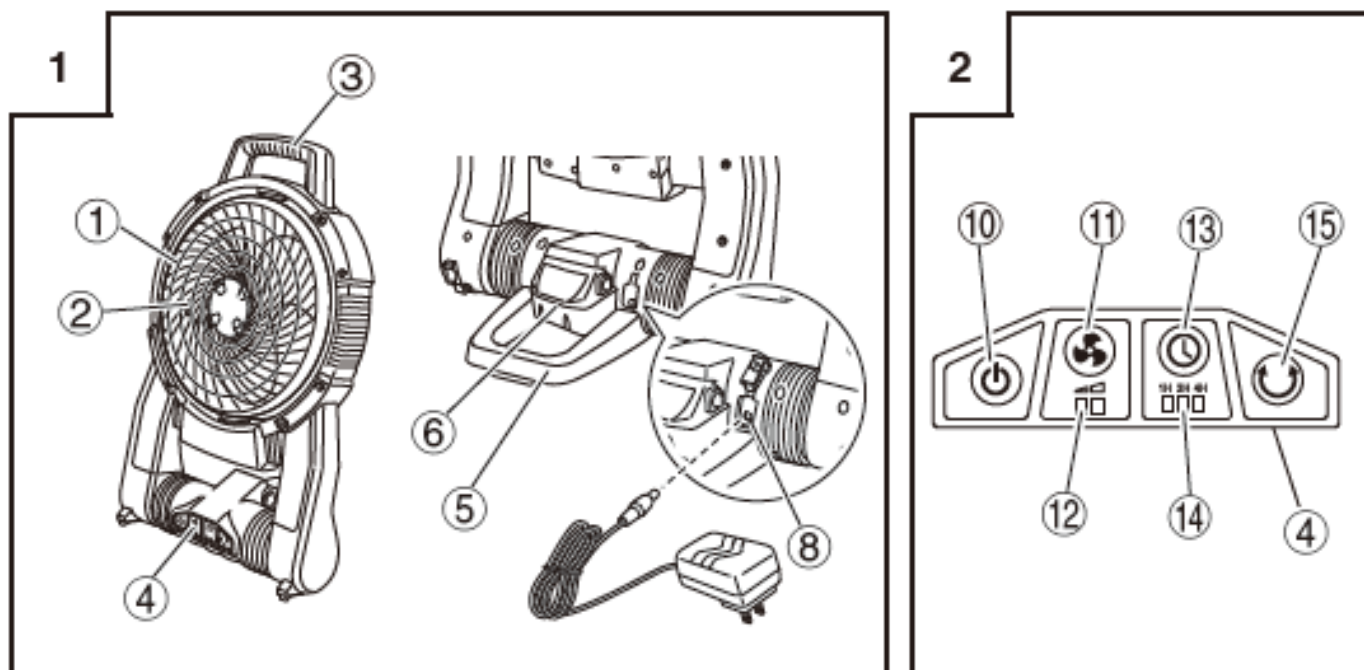


## UF 18DSAL



	日本語	English	Deutsch
①	ガード	Guard	Messerschutz
②	ファン	Fan	Ventilator
③	ハンドル	Handle	Griff
④	操作パネル	Operation panel	Bedienfeld
⑤	スタンド	Stand	Ständer
⑥	リチウムイオン電池(別売)	Battery (sold separately)	Akku (separat erhältlich)
⑦	ラッチ	Latch	Sperre
⑧	ACアダプタジャック	AC adapter jack	Buchse für AC-Adapter
⑨	ACアダプタ	AC adapter	AC-Adapter
⑩	運転ボタン	Switch	Schalter
⑪	風量ボタン	Wind volume button	Luftvolumen-Knopf
⑫	風量表示ランプ	Wind volume indicator	Luftvolumen-Anzeige
⑬	タイマーセットボタン	Timer setting button	Timer-Einstellknopf
⑭	タイマーセット時間表示ランプ	Timer indicator	Timer-Anzeige
⑮	首振りボタン	Swing button	Schwenkknopf

	Français	Italiano	Nederlands
①	Protection	Protezione	Bescherming
②	Ventilateur	Ventola	Ventilator
③	Poignée	Impugnatura	Handgreep
④	Tableau de commande	Pannello di comando	Bedieningspaneel
⑤	Support	Supporto	Standaard
⑥	Batterie (vendue séparément)	Batteria (venduta separatamente)	Batterij (los verkrijgbaar)
⑦	Verrou	Fermo	Klepje
⑧	Prise jack pour l'adaptateur CA	Presa per adattatore CA	Aansluiting voor netspanningsadapter
⑨	Adaptateur CA	Adattatore CA	Netspanningsadapter
⑩	Interrupteur	Interruttore	Schakelaar
⑪	Bouton du volume d'air	Pulsante portata getto d'aria	Snelheidstoets
⑫	Indicateur du volume d'air	Indicatore portata getto d'aria	Snelheidsindicator
⑬	Bouton de réglage de la minuterie	Pulsante di impostazione timer	Timerinsteltoets
⑭	Indicateur de minuterie	Indicatore timer	Timerindicator
⑮	Bouton de mise en rotation	Pulsante di oscillazione	Zwaaiknop

**⚠ WARNING:**

- Do not expose the fan to rain. Store indoors.
- Use AC adapters and batteries specified by the manufacturer.
- Be careful of electrical shock.
- When not in use or during inspection and maintenance, be sure to turn the switch OFF on the unit, and remove the battery or AC adapter from it.
- Do not use in locations where there is a risk of fire or explosions.
- Cease use immediately if an abnormality is detected.
- Do not shock or disassemble the fan.

**CAUTION:**

- Use the fan indoors in a stable location.
- Read all safety warnings and all instructions.
- Do not pull the AC adapter cord. Make sure you grip the AC adapter when unplugging it from a power socket. Do not use damaged AC adapters.
- Store the fan in locations away from high temperatures and out of the reach of children.
- Do not insert fingers or any other object inside the guard.

- Also make sure it does not come into contact with your hair, clothes, etc.
- Do not allow the fan to contact gasoline, thinner etc.
- This fan is not intended for use by persons (including children) with reduced physical, sensory or mental capabilities, or lack of experience and knowledge, unless they have been given supervision or instruction concerning use of the fan by a person responsible for their safety.
- Children should be supervised to ensure that do not play with the fan.
- This appliance can be used by children aged from 8 years and above and persons with reduced physical, sensory or mental capabilities or lack of experience and knowledge if they have been given supervision or instruction concerning use of the appliance in a safe way and understand the hazards involved. Children shall not play with the appliance. Cleaning and user maintenance shall not be made by children without supervision.
- Do not use an AC adapter other than the one supplied with this product.

**SPECIFICATIONS**

Operating time (Approx.): Using full charged Battery / Swing operation

Wind speed	[High/Low] modes	190 / 160 m/min
Dimensions (without battery)		264 mm (length) x 370 mm (width) x 520 mm (height)
Weight (without battery)		3.0 kg
AC adapter		INPUT: (100 V - 240 V) ~ OUTPUT: 12V 1.5 A

Battery	BSL1850	BSL1830	BSL1450	BSL1430	BSL1420
[High/Low] mode (h)	4.5 / 7.3	2.8 / 4.5	3.8 / 6.5	2.5 / 4	1.5 / 2.5

**HOW TO USE**

1. Fan angle adjustment  
The angle of the stand can be adjusted. (Fig. 3)
2. Using the AC adapter  
Plug the AC adapter jack into the adapter jack on the fan, and then plug it into a power socket. (Fig. 1)
3. Using the battery  
Insert the battery in direction A until it clicks. To remove, extract it in direction B while holding down the latch. (Fig. 3)
4. Operations (Fig. 2)  
Press the switch to commence operations. Press the wind volume button to alternate the strength of the wind between high and low. The relevant wind volume indicator will be illuminated.  
Press the timer setting button to illuminate the relevant indicator so that operations are halted within one, two or four hours.  
Wind direction can be manually adjusted to any position within a range of 90° to the right or left. (Fig. 4)  
The fan will oscillate 36° right and left from any position when

the swing button is pressed. To stop oscillation, press the button once again. (Fig. 5)

**CAUTION:**

There are cases in which the function to prevent excessive discharge from the battery will halt operations. In this event, either replace the battery or recharge it.

**NOTE:** The specifications herein are subject to change without prior notice.

Only for EU countries



Do not dispose of electric tools together with household waste material!

In observance of European Directive 2012/19/EU on waste electrical and electronic equipment and its implementation in accordance with national

law, electric tools that have reached the end of their life must be collected separately and returned to an environmentally compatible recycling facility.