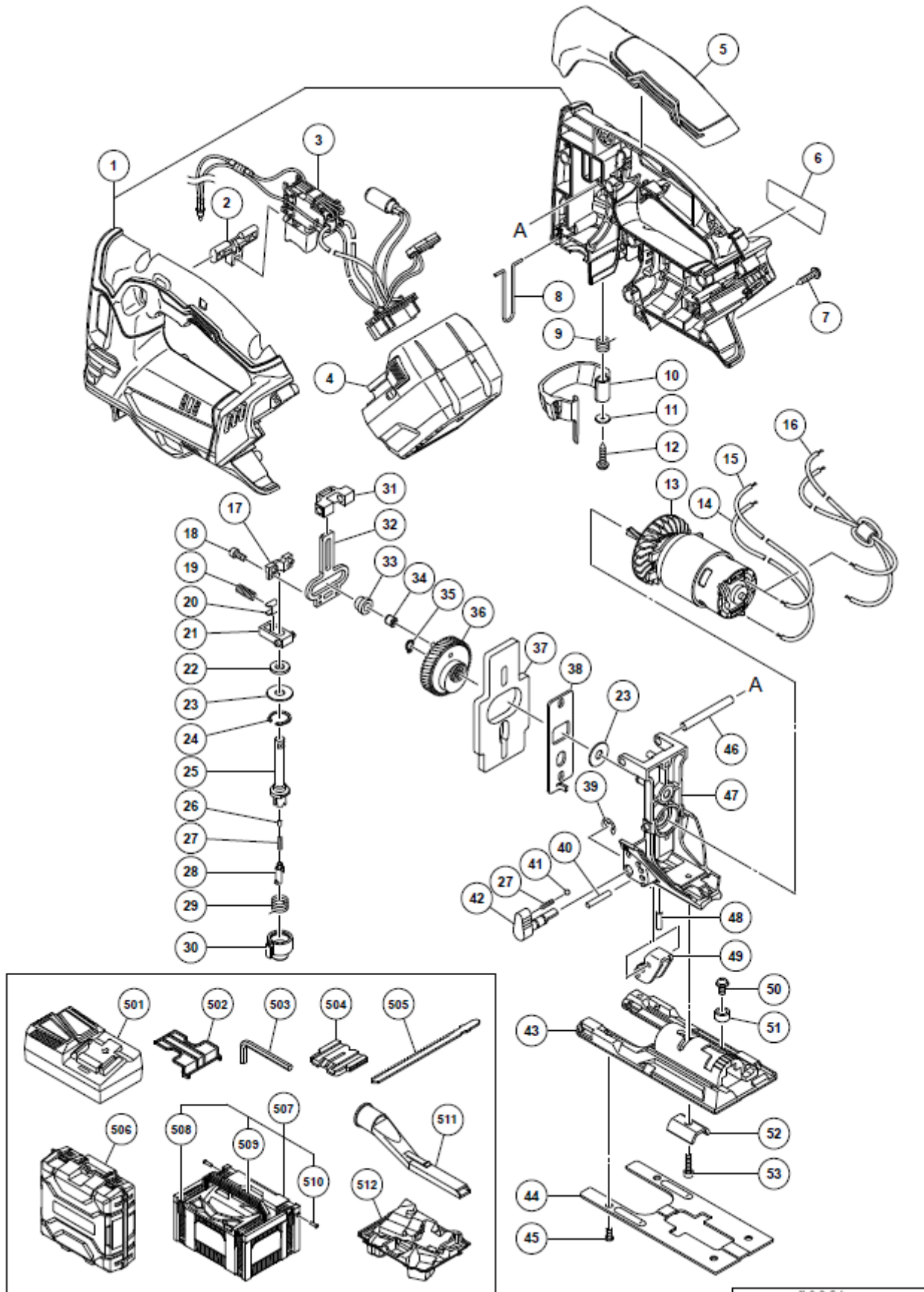


# CJ18DA(H4Z) 18V 135mm Jig Saw Top Handle



Item ref	Code no.	Description	Qty	Notes
*1	376450	HOUSING (A).(B) SET	1	
2	336856	PUSHING BUTTON	1	
3	376452	SWITCH TERMINAL SET	1	
*4	376029	BATTERY BSL 1850C (EUROPE.AUS.NZL)	2	INCLUD.502
5	376482	GRIP COVER	1	
6		NAME PLATE	1	
7	301653	TAPPING SCREW (W/FLANGE) D4X20 (BLACK)	10	
8	376484	GUARD BAR	1	
9	376481	LEVER SPRING	1	
10	375856	LEVER	1	
11	333916	WASHER	1	
12	332929	TAPPING SCREW (W/FLANGE) D3X20	1	
13	376451	MOTOR	1	
*16	376457	INTERNAL WIRE FERRITE SET	1	FOR EUROPE.GBR.AUS.NZL
17	376473	PLUNGER COVER	1	
18	325077	SEAL LOCK HEX. SOCKET HD. BOLT M3X6	2	
19	376476	SPRING (C)	1	
20	376475	SPRING PLATE	1	
21	376487	PLUNGER HOLDER (B)	1	
22	376474	PACKING	1	
23	376467	WASHER (A)	2	
24	376480	RETAINING RING D15	1	
25	376472	PLUNGER (B)	1	
26	376604	NEEDLE ROLLER (C)	1	
27	982454	SPRING (C)	2	
28	376479	PLUNGER PIECE	1	
29	376478	HOLDER SPRING	1	
30	376477	HOLDER COVER	1	
31	376470	PLUNGER HOLDER (A)	1	
32	376471	PLUNGER (A)	1	
33	332829	CONNECTING PIECE (A)	1	
34	325242	NEEDLE BEARING	1	
35	994251	RETAINING RING FOR D7 SHAFT	1	
36	376466	GEAR	1	
37	376469	BALANCE WEIGHT	1	
38	376468	ORBITAL CAM	1	
39	673489	RETAINING RING (E-TYPE) FOR D5 SHAFT	1	
40	376683	NEEDLE ROLLER D4X24	1	
41	335297	STEEL BALL 5/32 (10 PCS.)	1	
42	338992	CHANGE KNOB	1	
43	375854	BASE	1	
44	375855	BASE PLATE	1	
45	321996	SPECIAL BOLT	4	
46	376460	D6 PIN	1	
47	376464	GEAR HOLDER ASS'Y	1	INCLUD.27.39-42.48.49
48	983545	NEEDLE ROLLER	1	
49	376465	ROLLER HOLDER	1	
50	375857	MACHINE SCREW (W/WASHER) M4X5	1	
51	321576	RUBBER BUSHING	1	
52	339663	BASE LOCKER	1	
53	372724	HEX. SOCKET HD. BOLT M5X18	1	

Item ref	Code no.	Description	Qty	Notes
		STANDARD ACCESSORIES		
501		CHARGER (MODEL UC 18YFSL)	1	
502	329897	BATTERY COVER	1	
503	944458	HEX. BAR WRENCH 4MM	1	
504	338997	SPLINTER GUARD	1	
505	879357	JIG SAW BLADES NO.41 (5 PCS.)	1	
507	337108	CASE ASS'Y (STACKABLE 3)	1	INCLUD.508-510
508	336472	LATCH	4	
509	336473	HANDLE	1	
510	336474	HINGE	2	
*511	370492	DUST COLLECTOR	1	FOR EUROPE.GBR
512	376455	INNER TRAY	1	
		OPTIONAL ACCESSORIES		
601	321593	GUIDE	1	
602	339018	SUB BASE	1	
603	370492	DUST COLLECTOR	1	
604	930035	GREASE (SEP-3A) (100G)	1	
605	372814	GREASE (NIPPECO BC-4) 75G	1	
606	325149	GREASE (MOLUB-ALLOY NO.777-1) 75G	1	
607	879336	JIG SAW BLADES NO.11 (5 PCS.)	1	
608	879337	JIG SAW BLADES NO.12 (5 PCS.)	1	
609	879338	JIG SAW BLADES NO.15 (5 PCS.)	1	
610	879339	JIG SAW BLADES NO.16 (5 PCS.)	1	
611	879340	JIG SAW BLADES NO.21 (5 PCS.)	1	
612	879341	JIG SAW BLADES NO.22 (5 PCS.)	1	
613	963400	JIG SAW BLADES NO.97 FOR STAINLESS(5PCS)	1	