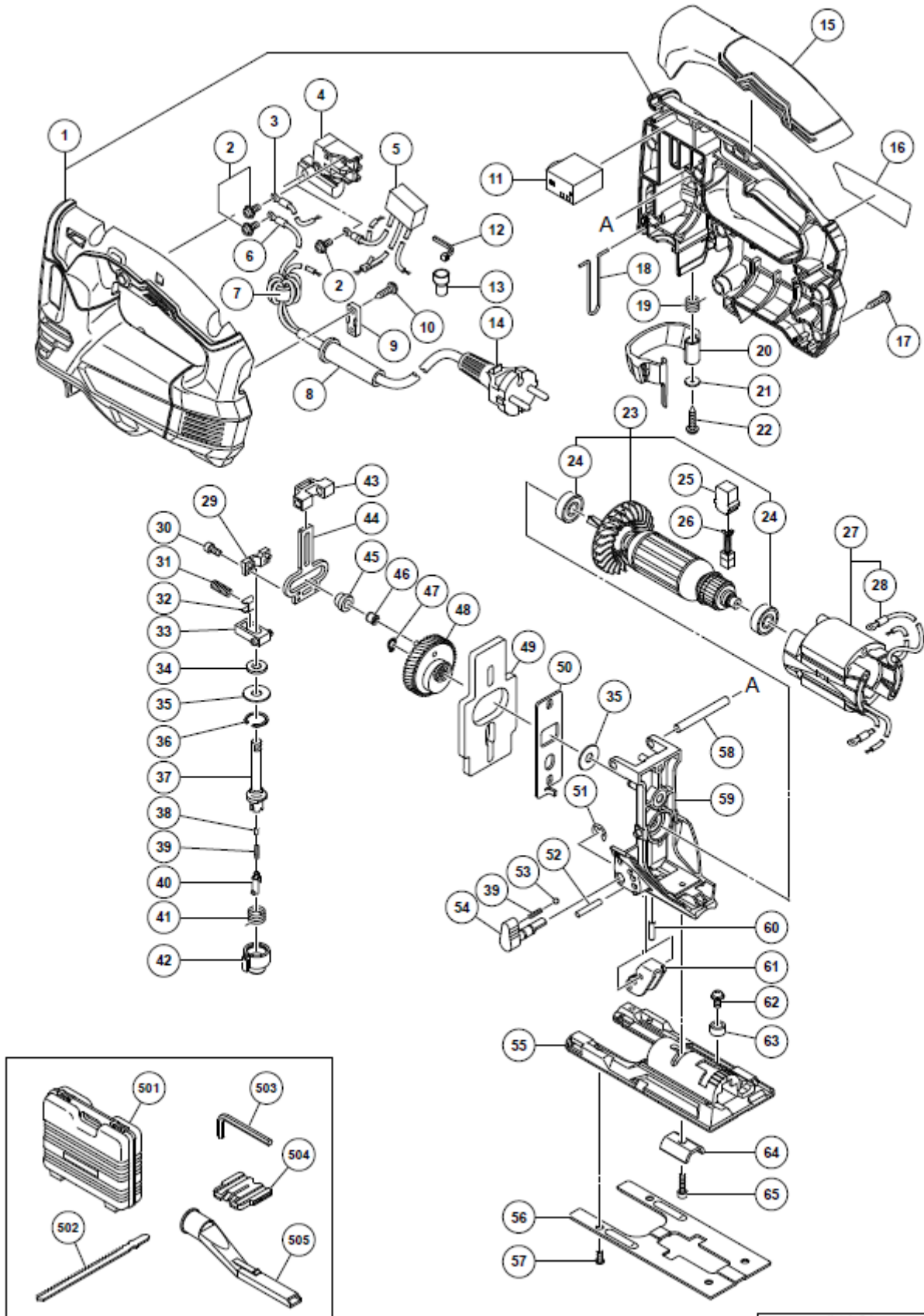


CJ90VST2(H1Z) 90mm 705W Jig Saw



Item ref	Code no.	Description	Qty	Notes
*1	376483	HOUSING (A).(B) SET	1	
2	305499	MACHINE SCREW (W/WASHER) M3.5X6	2	
4	376485	TRIGGER SWITCH	1	
*5	376461	INTERNAL WIRE ASS'Y (A)	1	FOR EUROPE.GBR.AUS.NAL.SAF.RUS.TUR.USA. CAN.IND
6	980063	TERMINAL	1	
*7	334379	FERRITE CORE	1	FOR EUROPE.GBR.AUS.NAL.SAF.RUS.TUR.USA. CAN.IND
8	930487	CORD ARMOR D8.2	1	
9	937631	CORD CLIP	1	
10	984750	TAPPING SCREW (W/FLANGE) D4X16	2	
*11	337760	CONTROLLER	1	FOR 220V-240V
12	975144	CABLE TIE	1	
13	959141	CONNECTOR 50092 (10 PCS.)	1	
*14	500234Z	CORD	1	(CORD ARMOR D8.2)FOR EUROPE
15	376482	GRIP COVER	1	
16		NAME PLATE	1	
17	301653	TAPPING SCREW (W/FLANGE) D4X20 (BLACK)	9	
18	376484	GUARD BAR	1	
19	376481	LEVER SPRING	1	
20	375856	LEVER	1	
21	333916	WASHER	1	
22	332929	TAPPING SCREW (W/FLANGE) D3X20	1	
*23	361136E	ARMATURE ASS'Y 220V-240V	1	INCLUD.24
24	608VVM	BALL BEARING 608VVC2PS2L	2	
25	930483	BRUSH HOLDER	2	
26	999041	CARBON BRUSH (1 PAIR)	2	
*27	341075E	STATOR ASS'Y 220V-240V	1	INCLUD.28
28	960356	TERMINAL (A) M3.5 (10 PCS.)	2	
29	376473	PLUNGER COVER	1	
30	325077	SEAL LOCK HEX. SOCKET HD. BOLT M3X6	2	
31	376476	SPRING (C)	1	
32	376475	SPRING PLATE	1	
33	376487	PLUNGER HOLDER (B)	1	
34	376474	PACKING	1	
35	376467	WASHER (A)	2	
36	376480	RETAINING RING D15	1	
37	376472	PLUNGER (B)	1	
38	376604	NEEDLE ROLLER (C)	1	
39	982454	SPRING (C)	2	
40	376479	PLUNGER PIECE	1	
41	376478	HOLDER SPRING	1	
42	376477	HOLDER COVER	1	
43	376470	PLUNGER HOLDER (A)	1	
44	376471	PLUNGER (A)	1	
45	332829	CONNECTING PIECE (A)	1	
46	325242	NEEDLE BEARING	1	
47	994251	RETAINING RING FOR D7 SHAFT	1	
48	376466	GEAR	1	
49	376469	BALANCE WEIGHT	1	
50	376468	ORBITAL CAM	1	

Item ref	Code no.	Description	Qty	Notes
51	673489	RETAINING RING (E-TYPE) FOR D5 SHAFT	1	
52	376683	NEEDLE ROLLER D4X24	1	
53	335297	STEEL BALL 5/32 (10 PCS.)	1	
54	338992	CHANGE KNOB	1	
55	375854	BASE	1	
56	375855	BASE PLATE	1	
57	321996	SPECIAL BOLT	4	
58	376460	D6 PIN	1	
59	376464	GEAR HOLDER ASS'Y	1	INCLUD.39.51-54.60.61
60	983545	NEEDLE ROLLER	1	
61	376465	ROLLER HOLDER	1	
62	375857	MACHINE SCREW (W/WASHER) M4X5	1	
63	321576	RUBBER BUSHING	1	
64	339663	BASE LOCKER	1	
65	372724	HEX. SOCKET HD. BOLT M5X18	1	
		STANDARD ACCESSORIES		
*501	337883	CASE	1	EXCEPT FOR USA.CAN
502	879357	JIG SAW BLADES NO.41 (5 PCS.)	1	
503	944458	HEX. BAR WRENCH 4MM	1	
504	338997	SPLINTER GUARD	1	
*505	370492	DUST COLLECTOR	1	FOR EUROPE.GBR.SAF.RUS.TUR
		OPTIONAL ACCESSORIES		
601	321593	GUIDE	1	
602	339018	SUB BASE	1	
603	370492	DUST COLLECTOR	1	
604	930035	GREASE (SEP-3A) (100G)	1	
605	372814	GREASE (NIPPECO BC-4) 75G	1	
606	325149	GREASE (MOLUB-ALLOY NO.777-1) 75G	1	
607	879336	JIG SAW BLADES NO.11 (5 PCS.)	1	
608	879337	JIG SAW BLADES NO.12 (5 PCS.)	1	
609	879338	JIG SAW BLADES NO.15 (5 PCS.)	1	
610	879339	JIG SAW BLADES NO.16 (5 PCS.)	1	
611	879340	JIG SAW BLADES NO.21 (5 PCS.)	1	
612	879341	JIG SAW BLADES NO.22 (5 PCS.)	1	
613	963400	JIG SAW BLADES NO.97 FOR STAINLESS(5PCS)	1	