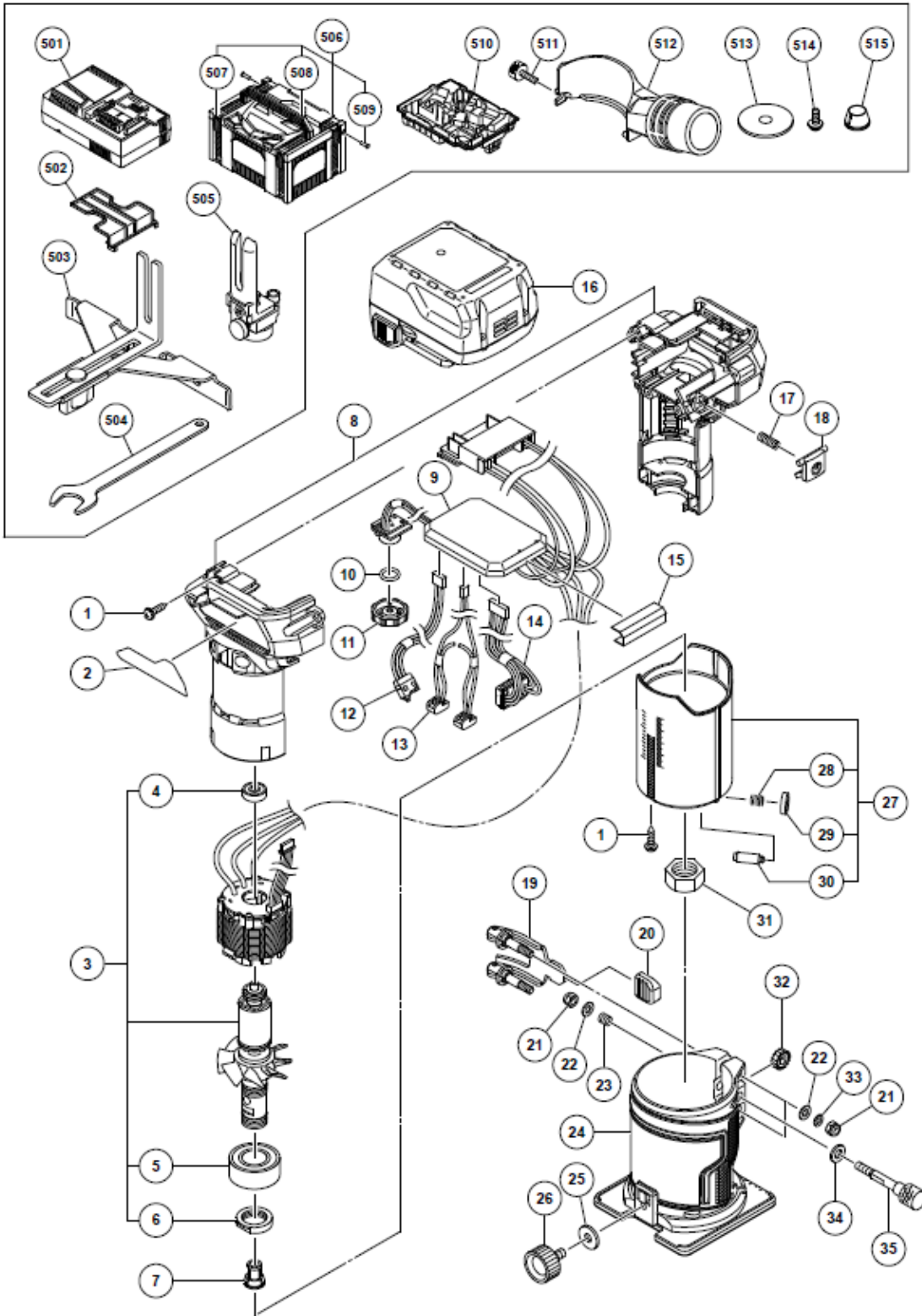


M1808DA(H4Z) 18V Cordless Trimmer



MODEL
M1808DA

Item ref	Code no.	Description	Qty	Notes
1	307811	TAPPING SCREW (W/FLANGE) D4X16 (BLACK)	8	
2		NAME PLATE	1	
3	361158	ROTOR ASS'Y	1	INCLUD.4-6
4	333826	BALL BEARING 625DD	1	
5	377297	BALL BEARING 6003DDUCM	1	
6	377116	THRUST NUT	1	
*7	377118	COLLET CONE (A) 6.35MM	1	
*8	377111	STATOR HOLDER (A).(B) SET	1	
9	341087	STATOR SENSER PCB ASS'Y	1	INCLUD.12-14
10	987105	O-RING (S-10)	1	
11	376840	DIAL	1	
12	377113	MICRO SWITCH	1	
13	377112	LED HOLDER	1	
14	377223	SWITCH PANEL SET (A)	1	
15	377298	LINER	1	
*16	376029	BATTERY BSL 1850C (EUROPE.AUS.NZL)	1	INCLUD.502 FOR GBR
17	374781	SPRING	1	
18	377115	BUTTON	1	
19	377123	LEVER ASS'Y	1	INCLUD.20
20	377124	RUBBER CAP	1	
21	377291	NYLON NUT M5	3	
22	949431	BOLT WASHER M5 (10 PCS.)	3	
23	312430	SPRING	1	
24	377221	BASE	1	
25	334176	WASHER (C)	1	
26	993609	KNOB BOLT M6X11	1	
27	377114	HOUSING ASS'Y	1	INCLUD.28-30
28	376830	SPRING (A)	1	
29	377290	PUSHING BUTTON	1	
30	301943	LOCK PIN	1	
31	377119	COLLET NUT	1	
32	377122	PINION	1	
33	949454	SPRING WASHER M5 (10 PCS.)	2	
34	949432	BOLT WASHER M6 (10 PCS.)	1	
35	377121	KNOB BOLT	1	
		STANDARD ACCESSORIES		
501		CHARGER (MODEL UC 18YSL3)	1	
*502	329897	BATTERY COVER	1	FOR GBR
503	377126	STRAIGHT GUIDE SET	1	
504	377128	WRENCH 23MM	1	
505	377127	TRIMMER GUIDE SET	1	
506	337108	CASE ASS'Y (STACKABLE 3)	1	INCLUD.507-509
507	336472	LATCH	4	
508	336473	HANDLE	1	
509	336474	HINGE	2	
510	377130	INNER TRAY	1	
511	377132	KNOB BOLT M4	1	
512	377131	DUCT ADAPTER	1	
513	377129	TEMPLATE GUIDE M12	1	
514	317200	MACHINE SCREW (W/WASHERS) M4X8 (BLACK)	2	