

# HIKOKI

## CORDLESS IMPACT DRIVER DRILL

Item No.	Code No.	Description	No. Used	Remarks
1	370908	SEAL LOCK FLAT HD.SCREW(LEFT HAND)6X20.5	1	FOR CHUCK 13VLRU-N
2	335961	DRILL CHUCK 13VLRU-N (W/O CHUCK WRENCH)	1	FOR EUROPE,RUS,ASIA,USA
3	370593	GEAR BOX ASS'Y	1	INCLUD.4-35
4	370611	CLUTCH DIAL (B)	1	
5	327146	CLICK SPRING	1	
6	370602	NUT	1	
7	370607	SPRING	1	
8	370603	THRUST PLATE	1	
9	370597	SPINDLE	1	
10	327136	SPRING (C)	1	
11	339772	RATCHET (B)	1	
12	327147	WASHER (A)	1	
13	339773	SLIP BLOCK	2	
14	327133	STOPPER SPRING	2	
15	370595	FRONT CASE	1	
16	328717	WASHER (B)	1	
17	370609	LOCK RING	1	
18	319744	ROLLER	4	
19	333539	PIN SET (6 PCS.)	6	
20	370606	RING GEAR	1	
21	370600	CARRIER	1	
22	370616	PLANET GEAR (C) SET (5 PCS.)	5	
23	331892	WASHER (A)	1	
24	331895	SCREW SET D2 (2 PCS.)	2	
25A	370608	SHIFT ARM	1	
26	370601	REAR CASE	1	
27	324357	SCREW SET D3X12 (4 PCS.)	4	
28	370605	SLIDE RING GEAR	1	
29	370599	PINION (C)	1	
30	370615	PLANET GEAR (B) SET (4 PCS.)	4	
31	370598	PINION (B)	1	
32	370614	PLANET GEAR (A) SET (4 PCS.)	4	
33	370604	FIRST RING GEAR	1	
34	339761	WASHER (B)	1	
35	339762	MOTOR SPACER	1	
36A	361048	ROTOR PINION SET	1	INCLUD.50A
37	370619	WIRING ASS'Y	1	INCLUD.43,47
38	330583	SHIFT KNOB	1	
39	313687	TAPPING SCREW (W/FLANGE) D3X16 (BLACK)	9	
40		NAME PLATE	1	
41	339768	PUSHING BUTTON	1	
42B	370618	HOUSING (A).(B) SET	1	
43	370151	DC-SPEED CONTROL SWITCH	1	
44	327001	TRUSS HD. SCREW M4 (BLACK)	1	
45	332824	HOOK	1	
45A	372229	HOOK	1	FOR EUROPE
46	327002	LOCK NUT M4 (BLACK)	2	
47	339769	BATTERY TERMINAL	1	
48	306952	STRAP (BLACK)	1	
*49	335790	BATTERY BSL 1850 (EUROPE,AUS,NZL)	2	INCLUD.503
*49	370739	BATTERY BSL 1850 (KOR)	2	INCLUD.503
*49	339783	BATTERY BSL 1830C (EUROPE,AUS,NZL)	2	INCLUD.503
*49	371308	BATTERY BSL 1830C (CHN)	2	INCLUD.503

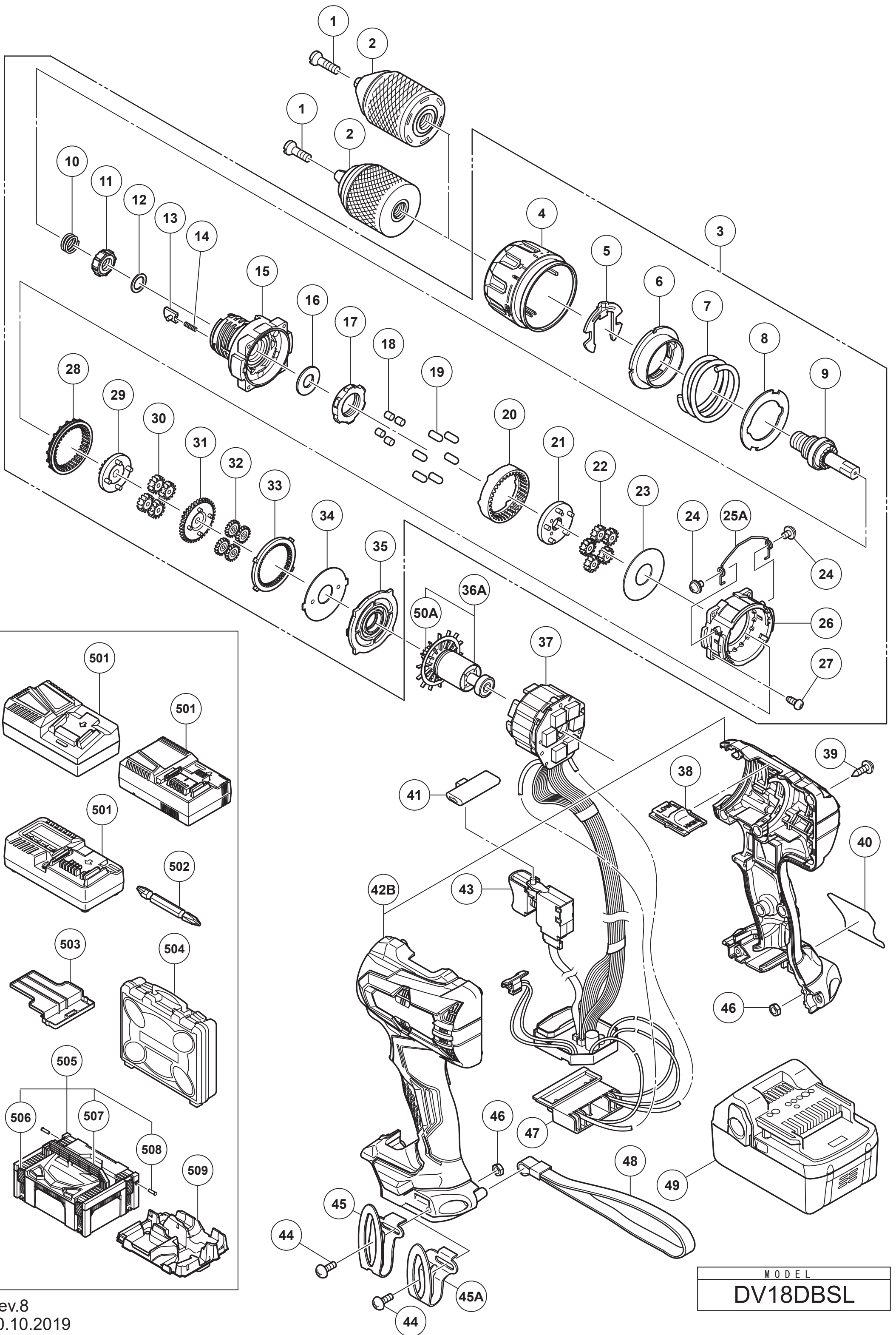
\* ALTERNATIVE PARTS

# HIKOKI

## CORDLESS IMPACT DRIVER DRILL

Item No.	Code No.	Description	No. Used	Remarks
*49	330068	BATTERY BSL 1830 (EUROPE,AUS,NZL)	2	INCLUD.503
*49	334729	BATTERY BSL 1830 (TPE)	2	INCLUD.503
*49	336690	BATTERY BSL 1830 (THA)	2	INCLUD.503
50A	376019	MOTOR PINION	1	
		STANDARD ACCESSORIES		
501		CHARGER (MODEL UC 18YFSL)	1	
501		CHARGER (MODEL UC 18YSL3)	1	
501		CHARGER (MODEL UC 18YKSL)	1	
502	983006	+ DRIVER BIT NO.2 65L	1	
503	329897	BATTERY COVER	1	
504	337852	CASE	1	
505	336471	CASE ASS'Y (STACKABLE 2)	1	INCLUD.506-508
506	336472	LATCH	4	
507	336473	HANDLE	1	
508	336474	HINGE	2	
509	336475	INNER TRAY	1	
		OPTIONAL ACCESSORIES		
601	955657	- DRIVER BIT (A) 3MMX70L	1	
602	955659	- DRIVER BIT (A) 4MMX70L	1	
603	955674	- DRIVER BIT (A) 6MMX70L	1	
604	983004	+ DRIVER BIT NO.1 65L	1	
605	983011	+ DRIVER BIT NO.3 65L	1	

\* ALTERNATIVE PARTS



MODEL  
DV18DBSL