

HIKOKI**OEM C10RJ**

Item No.	Code No.	Description	No. Used	Remarks
271	372377	CROSS RECESSED COUNTERSUNK SCREW	3	
272	372378	GEAR COVER	1	
273	372379	DEEP GROOVE BALL BEARING	1	
274	372380	RING	1	
275	372381	OUTPUT SHAFT	1	
276	372382	HALF ROUND KEY	1	
277	372383	GEAR	1	
278	372384	SHAFT RING 16	1	
279	372385	OIL BEARING	1	
280	372376	CROSS RECESS PAN HEAD SCREW	4	
282	371474	FLAT WASHER 5	4	
283	374749	FRONT END COVER	1	
284	372374	INNER RING	1	
285	372373	DEEP GROOVE BALL BEARING	1	
*286	376403	ARMATURE	1	FOR EUROPE ,AUS
287	372371	SELF-EXTRUDING SCREW	2	
*288	376404	STATOR	1	FOR EUROPE ,AUS
289	372369	BEARING 6003-2RS	1	
290	372368	DAMPING RING	1	
291	375808	MOTOR HOUSING	1	
292	372365	BRUSH HOLDER	2	
293	372364	CARBON BRUSH	2	
294	372363	BRUSH COVER	2	
295	375809	HEX. SOCKET SET SCREW M5X8	2	
296	375810	CHASSIS PLUG	1	
297	372367	CORD HOLDER	1	
298	372358	CROSS RECESSED PAN HEAD TAPPING SCREW	2	
299	375811	COVER PLATE	1	
300	371472	CROSS PAN HEAD SCREW M5X12	2	
*301	376405	SOFT START	1	FOR EUROPE ,AUS
302	375813	COVER FOR SOFT START	1	
303	371475	CROSS RECESSED PAN HEAD TAPPING SCREW	2	
401	375829	STOP SCREW	2	FOR EUROPE ,AUS
402	375828	CROSS RECESSED PAN HEAD TAPPING SCREW	6	FOR EUROPE ,AUS
403	376408	BIG FLAT WASHER	2	FOR EUROPE ,AUS
404	376409	LOCKING HANDLE	2	FOR EUROPE ,AUS
405	376412	LOCKING PLATE	2	FOR EUROPE ,AUS
406	375831	POSITIONING SPRING	2	FOR EUROPE ,AUS
407	375832	LIMITATION PLATE	2	FOR EUROPE ,AUS
408	376415	CROSS RECESSED PAN HEAD TAPPING SCREW	2	FOR EUROPE ,AUS
409	375833	CROSS RECESSED PAN HEAD TAPPING SCREW	4	FOR EUROPE ,AUS
410	376422	RIP FENCE ASS'Y	1	FOR EUROPE ,AUS
411	376416	RIP FENCE	1	FOR EUROPE ,AUS
412	376411	ELASTIC CYLINDRICAL PIN	2	FOR EUROPE ,AUS
413	376410	ELASTIC CYLINDRICAL PIN	2	FOR EUROPE ,AUS
414	376392	FLAT WASHER	6	FOR EUROPE ,AUS
415	375825	FIXING PLATE (C)	1	FOR EUROPE ,AUS
416	375830	FIXING PLATE (A)	2	FOR EUROPE ,AUS
417	376413	RIP FENCE HOLDER (LEFT)	1	FOR EUROPE ,AUS
418	376417	VICE RIP FENCE	1	FOR EUROPE ,AUS
419	376414	RIP FENCE HOLDER (RIGHT)	1	FOR EUROPE ,AUS
420	375823	FIXING PLATE (B)	1	FOR EUROPE ,AUS
421	376419	BLADE GUARD ASS'Y	1	FOR EUROPE ,AUS

* ALTERNATIVE PARTS

HIKOKI**OEM C10RJ**

Item No.	Code No.	Description	No. Used	Remarks
422	374650	BOLT	4	FOR EUROPE ,AUS
423	374651	LEFT BLADE GUARD	1	FOR EUROPE ,AUS
424	374652	LATCH CAP	2	FOR EUROPE ,AUS
425	374662	HEXAGON SOCKET SET SCREW	5	FOR EUROPE ,AUS
426	375844	HEX. SOCKET SET SCREW WITH FLAP POINT M5	1	FOR EUROPE ,AUS
427	374654	STOP PIN	1	FOR EUROPE ,AUS
428	374655	BLADE GUARD SUPPORT SEAT SPRING	2	FOR EUROPE ,AUS
429	374657	RIGHT BLADE GUARD	1	FOR EUROPE ,AUS
430	371595	SPLIT WASHER 4	2	FOR EUROPE ,AUS
431	371596	FLAT WASHER 6	10	FOR EUROPE ,AUS
432	374656	SLIDING DETENT	1	FOR EUROPE ,AUS
433	374653	BLADE GUARD SUPPORT SEAT	1	FOR EUROPE ,AUS
434	371610	WASHER ON SHAFT 11	2	FOR EUROPE ,AUS
435	374658	ANTI-KICKBACK PAWL(A)	1	FOR EUROPE ,AUS
436	371601	LATCH	1	FOR EUROPE ,AUS
437	371604	COMPRESSING SPRING (A)	1	FOR EUROPE ,AUS
438	375837	SUPPORTING SEAT	1	FOR EUROPE ,AUS
439	371606	SPRING PIN	1	FOR EUROPE ,AUS
440	371600	KNOB	1	FOR EUROPE ,AUS
441	375841	ANTI-KICKBACK PAWLS ASS'Y	1	FOR EUROPE ,AUS
442	375838	WASHER	2	FOR EUROPE ,AUS
443	374660	ANTI-KICKBACK PAWL(B)	1	FOR EUROPE ,AUS
444	371609	ANTI-KICKBACK PAWL SPRING	1	FOR EUROPE ,AUS
445	375839	RIVING KNIFE	1	FOR EUROPE ,AUS
446	371603	CAM PRESSING PLATE	1	FOR EUROPE ,AUS
447	371599	ECCENTRIC HAND	1	FOR EUROPE ,AUS
448	374713	SPECIAL BOLT	1	FOR EUROPE ,AUS
449	374665	HEXAGON SOCKET SCREW M14	2	FOR EUROPE ,AUS
450	371577	EXTENSION TABLE	1	FOR EUROPE ,AUS
451	371581	EXTENSION ROD	2	FOR EUROPE ,AUS
452	374666	STOP COLLAR	2	FOR EUROPE ,AUS
453	374667	CROSS PAN HEAD SCREW	2	FOR EUROPE ,AUS
*454	371423	CROSS PAN HEAD SCREW M4X8	6	FOR AUS
455	376418	OUTFEED SUPPORT ASS'Y	1	FOR EUROPE ,AUS
456	375845	MITER GAUGE ASS'Y	1	FOR EUROPE ,AUS
457	374682	HANDLE FOR MITER GAUGE	1	FOR EUROPE ,AUS
458	371541	BIG FLAT WASHER 6	9	FOR EUROPE ,AUS
459	374683	MITER GAUGE	1	FOR EUROPE ,AUS
460	371625	STEEL BALL	1	FOR EUROPE ,AUS
461	374684	COMPRESSING SPRING (B)	1	FOR EUROPE ,AUS
462	374685	POINTER	1	FOR EUROPE ,AUS
463	371627	HEX. SOCKET SET SCREW WITH FLAT POINT M6	1	FOR EUROPE ,AUS
464	371643	FRICTION PAD	3	FOR EUROPE ,AUS
465	371631	ADJUSTING SHIM	1	FOR EUROPE ,AUS
466	371628	BAR FOR MITER GAUGE	1	FOR EUROPE ,AUS
467	371629	BOLT (A)	1	FOR EUROPE ,AUS
468	371475	CROSS RECESSED PAN HEAD TAPPING SCREW	25	FOR EUROPE ,AUS
469	376388	TABLE INSERT ASS'Y	1	FOR EUROPE ,AUS
470	376387	BASE PLATE	1	FOR EUROPE ,AUS
471	376381	TABLE INSERT	1	FOR EUROPE ,AUS
472	374664	TABLE INSERT LOCK PLATE	1	FOR EUROPE ,AUS
473	371424	FLAT WASHER 4	30	FOR EUROPE ,AUS
474	371443	SPRIN WASHER 4	5	FOR EUROPE ,AUS

* ALTERNATIVE PARTS

HIKOKI**OEM C10RJ**

Item No.	Code No.	Description	No. Used	Remarks
475	371506	CROSS PAN HEAD SCREW M4X10	5	FOR EUROPE ,AUS
476	376384	SOCKET HEAD CAP SCREW	6	FOR EUROPE ,AUS
477	371542	HEX. NUT M6	6	FOR EUROPE ,AUS
478	371549	ADJUSTING BOLT	2	FOR EUROPE ,AUS
479	371550	ADJUSTING WHEEL	2	FOR EUROPE ,AUS
480	371552	LOCK NUT M4	2	FOR EUROPE ,AUS
*481	374670	TABLE INSERT LOCKING BLOCK (A)	1	FOR AUS
482	376389	SCALE LABEL	1	FOR EUROPE ,AUS
483	371551	RAIL	2	FOR EUROPE ,AUS
484	376383	SLIDING RAIL (B)	1	FOR EUROPE ,AUS
485	376382	SLIDING RAIL (A)	1	FOR EUROPE ,AUS
486	371546	HEX. SOCKET CAP SCREW M5X16	12	FOR EUROPE ,AUS
487	371548	FRICTION PAD	2	FOR EUROPE ,AUS
488	374669	WORKING TABLE	1	FOR EUROPE ,AUS
489	371585	KNOB	2	FOR EUROPE ,AUS
490	374671	TABLE INSERT LOCKING BLOCK (B)	1	FOR EUROPE ,AUS
491	374674	MOVABLE BAFFLE FIXED SEAT	2	FOR EUROPE ,AUS
492	371545	POINTER	1	FOR EUROPE ,AUS
493	371527	REAR LOCKING ROD (B)	1	FOR EUROPE ,AUS
494	371526	COMPRESSION SPRING	3	FOR EUROPE ,AUS
495	371528	SPRING PIN	2	FOR EUROPE ,AUS
496	371529	SLIDER (A)	2	FOR EUROPE ,AUS
497	374691	SPRING WASHER	24	FOR EUROPE ,AUS
498	374692	CROSS PAN HEAD SCREW	16	FOR EUROPE ,AUS
499	371525	CLAMP BOARD	3	FOR EUROPE ,AUS
500	374690	FLAT WASHER	28	FOR EUROPE ,AUS
501	375803	BAFFLE	1	FOR EUROPE ,AUS
502	374689	LOCATION-LIMITED PLATE (B)	1	FOR EUROPE ,AUS
503	371543	SPRING PIN	1	FOR EUROPE ,AUS
504	371533	FRONT LOCKING ROD	1	FOR EUROPE ,AUS
505	371434	HEX. NUT M8	1	FOR EUROPE ,AUS
506	374688	LONGER NUT M8 (B)	1	FOR EUROPE ,AUS
507	374687	LOCKING LEVER	1	FOR EUROPE ,AUS
508	371539	LOCKING BLOCK	2	FOR EUROPE ,AUS
509	374686	LOCATION-LIMITED PLATE (A)	1	FOR EUROPE ,AUS
510	371537	SHEATH FOR LOCKING LEVER	1	FOR EUROPE ,AUS
511	371531	REAR LOCKING ROD (A)	1	FOR EUROPE ,AUS
512	371521	ADJUSTING SUPPORT SEAT (A)	2	FOR EUROPE ,AUS
513	374696	ADJUSTING GEAR	2	FOR EUROPE ,AUS
514	376385	ROTATION KNOB	1	FOR EUROPE ,AUS
515	371515	FLAT WASHER	3	FOR EUROPE ,AUS
516	371514	HEX. NUT M10	4	FOR EUROPE ,AUS
517	371518	ADJUSTING SUPPORT SEAT (C)	2	FOR EUROPE ,AUS
518	371519	ADJUSTING SPRING	2	FOR EUROPE ,AUS
519	374777	CROSS PAN HEAD SCREW	7	FOR EUROPE ,AUS
520	371520	ADJUSTING SUPPORT SEAT (B)	2	FOR EUROPE ,AUS
521	374697	BIG FLAT WASHER	2	FOR EUROPE ,AUS
522	371595	SPLIT WASHER 4	2	FOR EUROPE ,AUS
523	371524	SPRING PIN	2	FOR EUROPE ,AUS
524	376386	ADJUSTING ROD	1	FOR EUROPE ,AUS
525	374729	ECCENTRIC LOCATION-LIMITED	2	FOR EUROPE ,AUS
526	375820	BACK PLATE	1	FOR EUROPE ,AUS
527	374743	HEXAGON SOCKET HEAD CAP SCREW M5X10	2	FOR EUROPE ,AUS

* ALTERNATIVE PARTS

HIKOKI**OEM C10RJ**

Item No.	Code No.	Description	No. Used	Remarks
528	374731	ANGLE ADJUSTING BASE	1	FOR EUROPE ,AUS
529	371476	CROSS RECESSED COUNTERSUNK HEAD SCREW	3	FOR EUROPE ,AUS
530	376406	OVERLOAD PROTECTOR 9A	1	FOR EUROPE ,AUS
531	371464	FRONT PANEL	1	FOR EUROPE ,AUS
532	371532	PUSH STICKER	1	FOR EUROPE ,AUS
533	371463	BEVEL LABEL	1	FOR EUROPE ,AUS
534	371448	LABEL FOR OVERLOAD PROTECTOR	1	FOR EUROPE ,AUS
535	371447	NUT FOR OVERLOAD PROTECTOR	1	FOR EUROPE ,AUS
536	371462	45° POINTER	1	FOR EUROPE ,AUS
537	371455	HEX. NUT M5	2	FOR EUROPE ,AUS
538	371454	LOCKING HANDLE	1	FOR EUROPE ,AUS
539	371453	HEXAGON SOCKET HEAD CAP SCREW M5X12	1	FOR EUROPE ,AUS
540	371460	ROTATION WHEEL	1	FOR EUROPE ,AUS
541	374738	ROTATION HANDLE	1	FOR EUROPE ,AUS
542	374739	CRANK HANDLE KNOB	1	FOR EUROPE ,AUS
543	374740	HANDLE SCREW	1	FOR EUROPE ,AUS
544	371635	SWITCH LOCK	1	FOR EUROPE ,AUS
545	371461	ROTATION PIN	1	FOR EUROPE ,AUS
546	371452	SWITCH FIXING PLATE	1	FOR EUROPE ,AUS
547	376407	ELECTROMAGNETIC SWITCH 230V	1	FOR EUROPE ,AUS
548	371634	SWICTH FLAP	1	FOR EUROPE ,AUS
549	371451	CROSS RECESSED PAN HEAD TAPPING SCREW	4	FOR EUROPE ,AUS
550	371466	CROSS RECESSED PAN HEAD TAPPING SCREW	3	FOR EUROPE ,AUS
551	375818	SWITCH COVER	1	FOR EUROPE ,AUS
552	371427	ADJUSTABLE FOOT (A)	2	FOR EUROPE ,AUS
553	371432	OUTER HEX. BOLT M8X30	1	FOR EUROPE ,AUS
554	371426	ADJUSTABLE FOOT (B)	2	FOR EUROPE ,AUS
555	371434	HEX. NUT M8	1	FOR EUROPE ,AUS
556	371435	SAW BLADE HOLDER	1	FOR EUROPE ,AUS
557	374718	BLADE WRENCH	2	FOR EUROPE ,AUS
558	374717	LOCKING KNOB	1	FOR EUROPE ,AUS
559	371440	CORD WARP	2	FOR EUROPE ,AUS
560	371433	CROSS PAN HEAD SCREW M5X40	2	FOR EUROPE ,AUS
561	371439	ANTI-BENDING SHEATH	1	FOR EUROPE ,AUS
*562	376402	POWER CORD	1	FOR AUS
563	371438	WIRE CLIP	1	FOR EUROPE ,AUS
564	371436	CROSS RECESS PAN HEAD SCREW M4X12	2	FOR EUROPE ,AUS
565	371441	HEX. NUT M4	2	FOR EUROPE ,AUS
566	371442	BLADE GUARD STORAGE (B)	1	FOR EUROPE ,AUS
567	371446	BLADE GUARD STORAGE (A)	1	FOR EUROPE ,AUS
568	371431	MITER GAUGE STORAGE	1	FOR EUROPE ,AUS
569	371429	SPRING WASHER	8	FOR EUROPE ,AUS
570	371428	HEXAGON SOCKET HEAD CAP SCREW M6X16	4	FOR EUROPE ,AUS
571	371425	FRAME ASS'Y	1	FOR EUROPE ,AUS
572	371444	PUSH STICKER STORAGE (A)	1	FOR EUROPE ,AUS
573	371445	PUSH STICKER STORAGE (B)	1	FOR EUROPE ,AUS
574	371413	HEX. SOCKET CAP SCREW M6X40	2	FOR EUROPE ,AUS
575	371412	FOOTING	2	FOR EUROPE ,AUS
576	371411	LOCK NUT M6	3	FOR EUROPE ,AUS
577	371414	END CAP	2	FOR EUROPE ,AUS
578	371416	HEX. SOCKET BUTTON HEAD SCREW	4	FOR EUROPE ,AUS
579	371415	HANDLE ASS'Y	1	FOR EUROPE ,AUS
580	371417	HEX. SOCKET BUTTON HEAD SCREW M8X45	8	FOR EUROPE ,AUS

* ALTERNATIVE PARTS

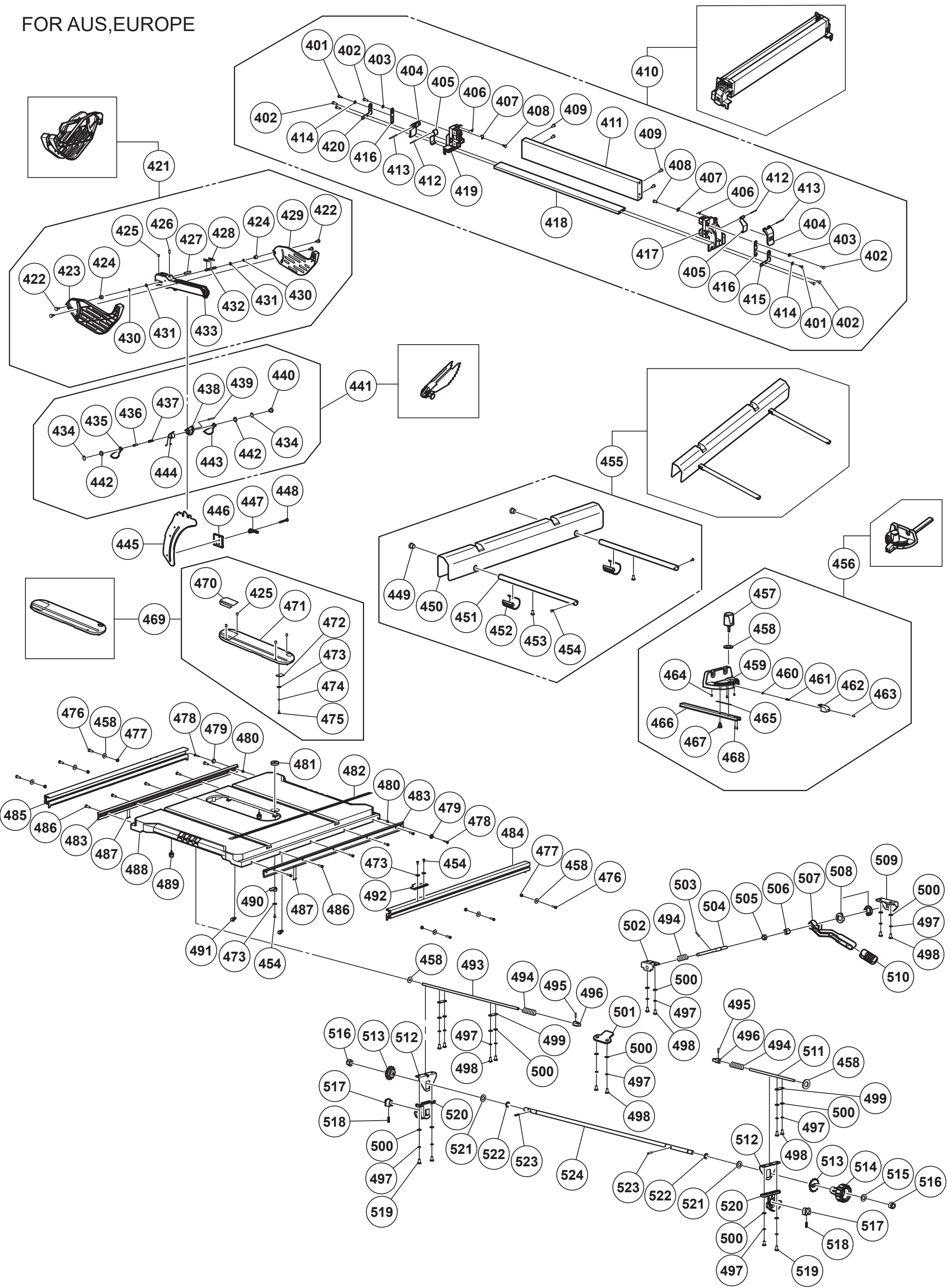
HIKOKI

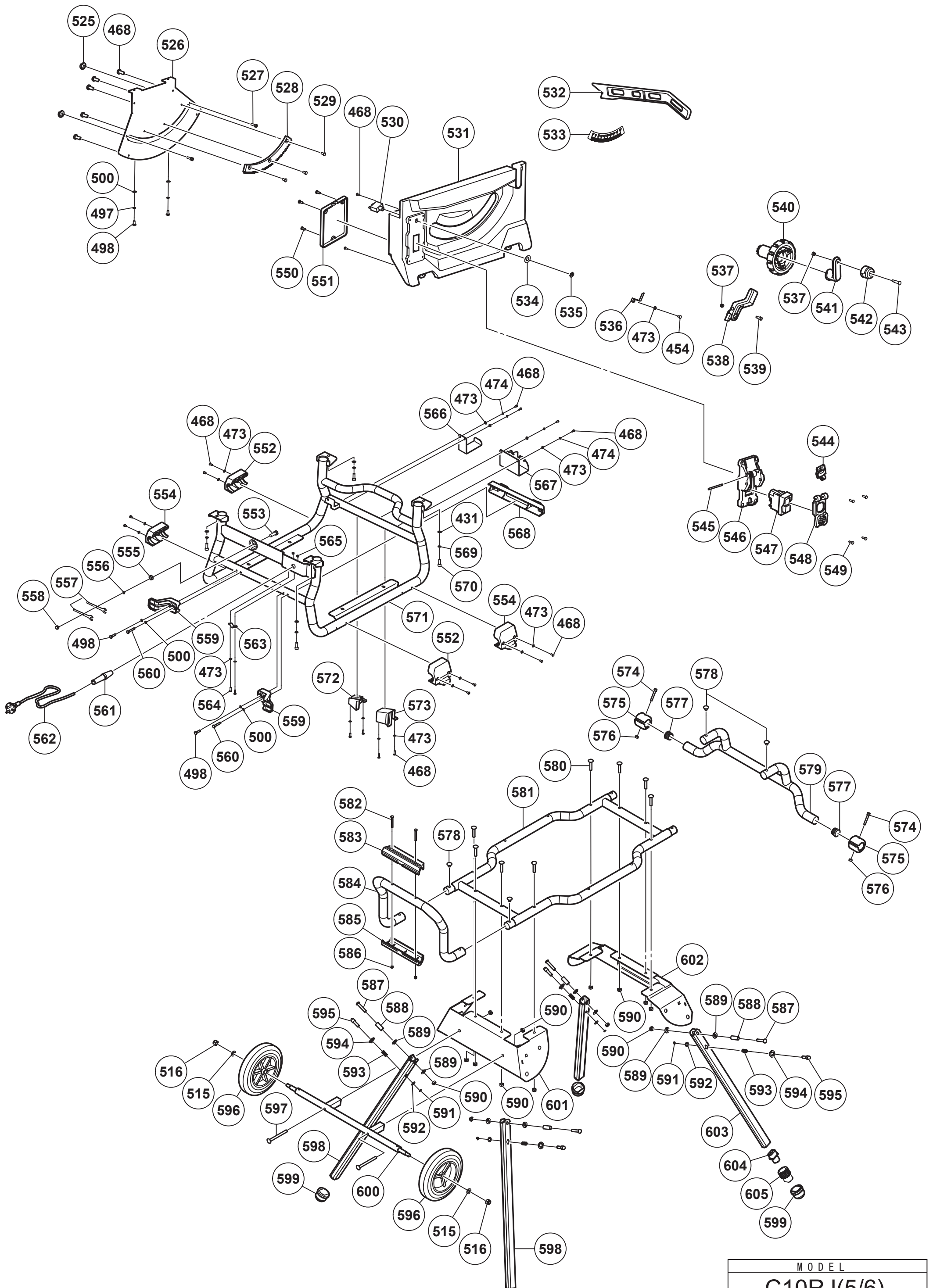
OEM C10RJ

Item No.	Code No.	Description	No. Used	Remarks
581	371410	HORIZONTAL SUPPORT TUBE ASS'Y M6X40	1	FOR EUROPE ,AUS
582	371422	CROSS PAN HEAD SCREW M5X45	2	FOR EUROPE ,AUS
583	371421	SUPPORT PAD (A)	1	FOR EUROPE ,AUS
584	371420	SUPPORT TUBE ASS'Y	1	FOR EUROPE ,AUS
585	371419	SUPPORT PAD (B)	1	FOR EUROPE ,AUS
586	371418	LOCK NUT M5	2	FOR EUROPE ,AUS
587	371398	LEG BOLT	4	FOR EUROPE ,AUS
588	371639	LEG STOP COLLAR	4	FOR EUROPE ,AUS
589	371397	FRICTION PAD 8	8	FOR EUROPE ,AUS
590	371400	LOCK NUT M8	14	FOR EUROPE ,AUS
591	371392	SPLIT WASHER	4	FOR EUROPE ,AUS
592	371393	FLAT WASHER 8	4	FOR EUROPE ,AUS
593	371394	SPRING	4	FOR EUROPE ,AUS
594	371395	FRICTION PAD	4	FOR EUROPE ,AUS
595	371396	STOP PIN	4	FOR EUROPE ,AUS
596	371403	WHEEL	2	FOR EUROPE ,AUS
597	371402	HEX. SOCKET PLAIN ROUND HEAD SCREW M8X90	2	FOR EUROPE ,AUS
598	371391	STAND LEG (A)	3	FOR EUROPE ,AUS
599	371390	STAND FOOT	4	FOR EUROPE ,AUS
600	371401	WHEEL SHAFT ASS'Y	1	FOR EUROPE ,AUS
601	371399	SUPPORT PLATE ASS'Y (A)	1	FOR EUROPE ,AUS
602	371409	SUPPORT PLATE ASS'Y (B)	1	FOR EUROPE ,AUS
603	371408	ADJUSTABLE LEG	1	FOR EUROPE ,AUS
604	371407	ADJUSTABLE FOOT (A)	1	FOR EUROPE ,AUS
605	371406	ADJUSTABLE FOOT (B)	1	FOR EUROPE ,AUS
606	371615	HEX. SOCKET SET SCREW WITH FLAT POINT	1	FOR EUROPE ,AUS
607	374715	HOLDER SPRING	1	FOR EUROPE ,AUS
608	371613	STEEL BALL	1	FOR EUROPE ,AUS
609	374714	CLAMPING BUSH	1	FOR EUROPE ,AUS
610	374693	SPRING	1	FOR EUROPE ,AUS
611	376399	MOTOR	1	FOR EUROPE ,AUS
612	371602	CYLINDRICAL PIN	2	FOR EUROPE ,AUS
613	374703	TRUNNION HOLDER	2	FOR EUROPE ,AUS
614	374704	HEXAGON SOCKET HEAD CAP SCREW	4	FOR EUROPE ,AUS
616	374705	TRUNNION SLIDER BLOCK	2	FOR EUROPE ,AUS
617	375806	SAFETY SHIELD	1	FOR EUROPE ,AUS
618	376400	BOLT	2	FOR EUROPE ,AUS
619	371496	BLADE INNER FLANGE	1	FOR EUROPE ,AUS
620	376395	VARIABLE DIAMETER RING	1	FOR EUROPE ,AUS
621	376397	BLADE	1	FOR EUROPE ,AUS
622	371502	BLADE OUTER FLANGE	1	FOR EUROPE ,AUS
623	371503	ARBOR NUT	1	FOR EUROPE ,AUS
*624	375814	TRUNNION	1	FOR AUS
625	371610	WASHER ON SHAFT 11	2	FOR EUROPE ,AUS
626	374709	BEVEL GEAR	2	FOR EUROPE ,AUS
627	371487	A TYPE KEY	2	FOR EUROPE ,AUS
628A	376681	UP AND DOWN ADJUSTING ROD (A) SET	1	INCLUD. 645-647 FOR EUROPE ,AUS
629	371482	COMPRESSION SCEW ROD	1	FOR EUROPE ,AUS
630	374742	LOCKING COMPRESSION SPRING	1	FOR EUROPE ,AUS
631	374741	WASHER SLEEVE	1	FOR EUROPE ,AUS
632	374707	UP AND DOWN ADJUSTING ROD	1	FOR EUROPE ,AUS
633	374708	ADJUSTING SEAT	1	FOR EUROPE ,AUS
634	374710	COVER PLATE	1	FOR EUROPE ,AUS

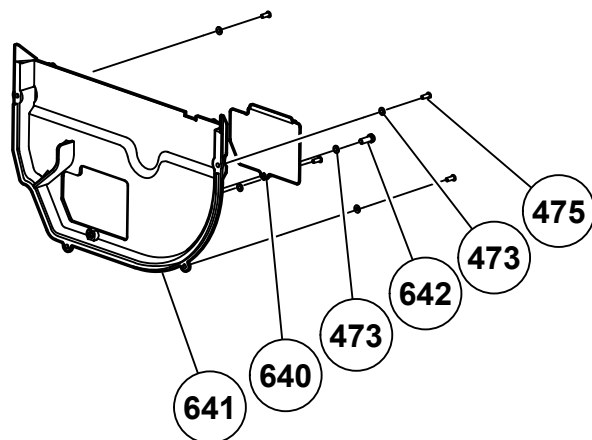
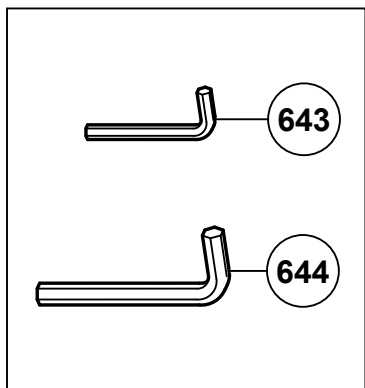
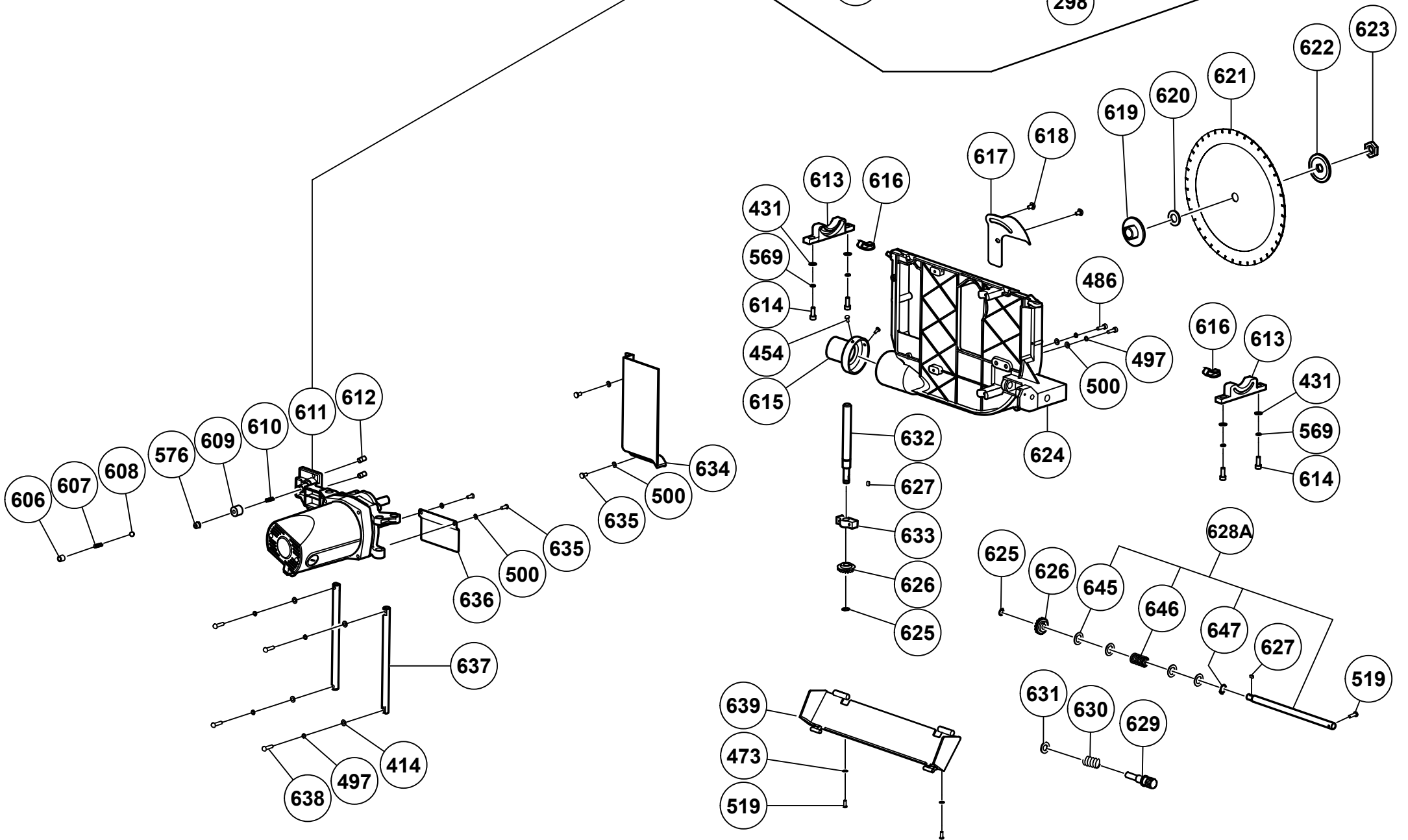
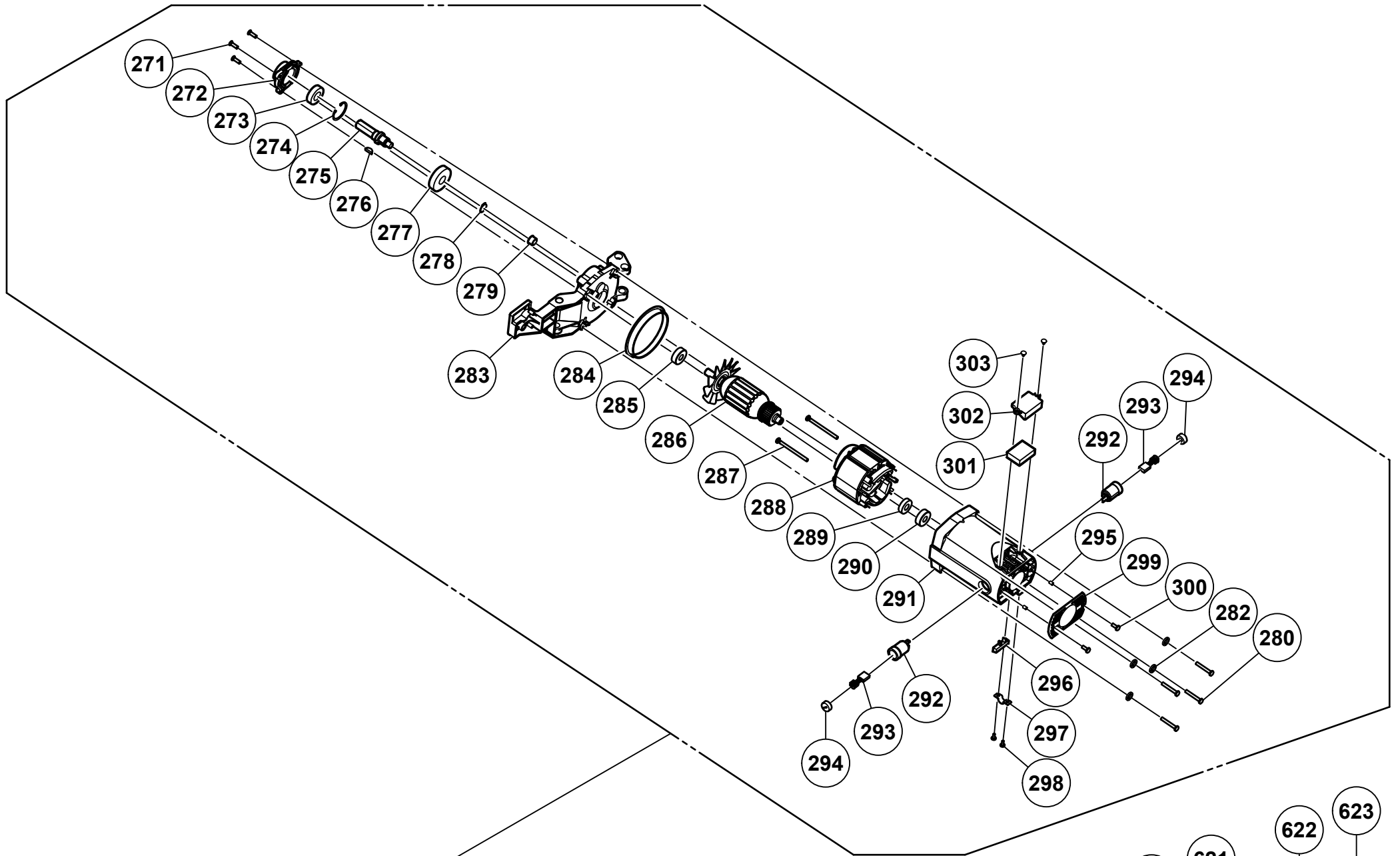
* ALTERNATIVE PARTS

FOR AUS,EUROPE





MODEL
C10RJ(5/6)



MODEL
C10RJ(6/6)