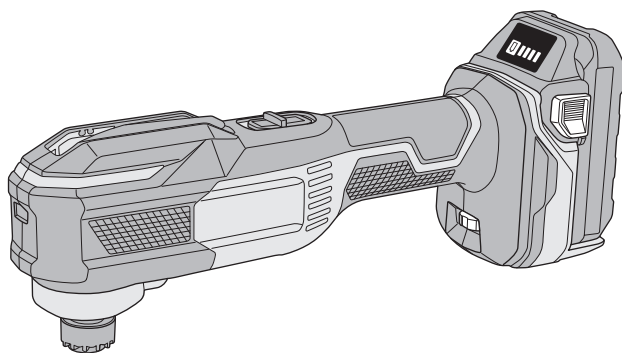


# **HIKOKI**

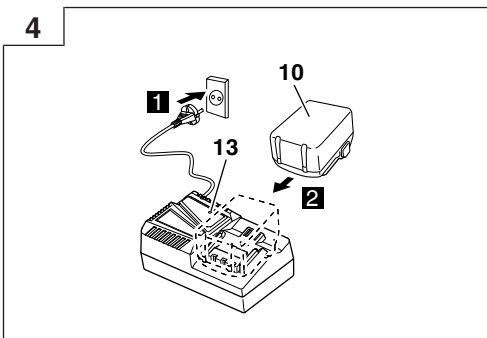
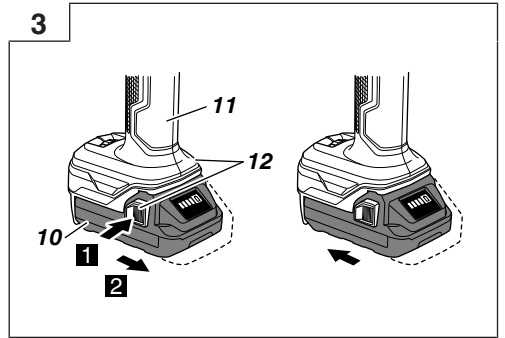
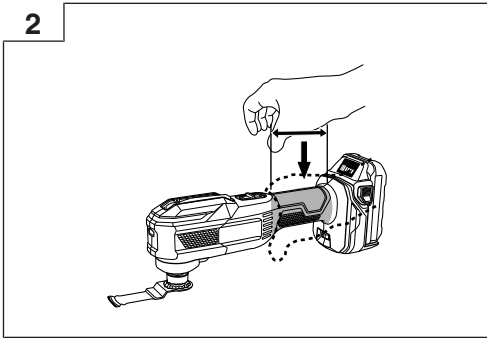
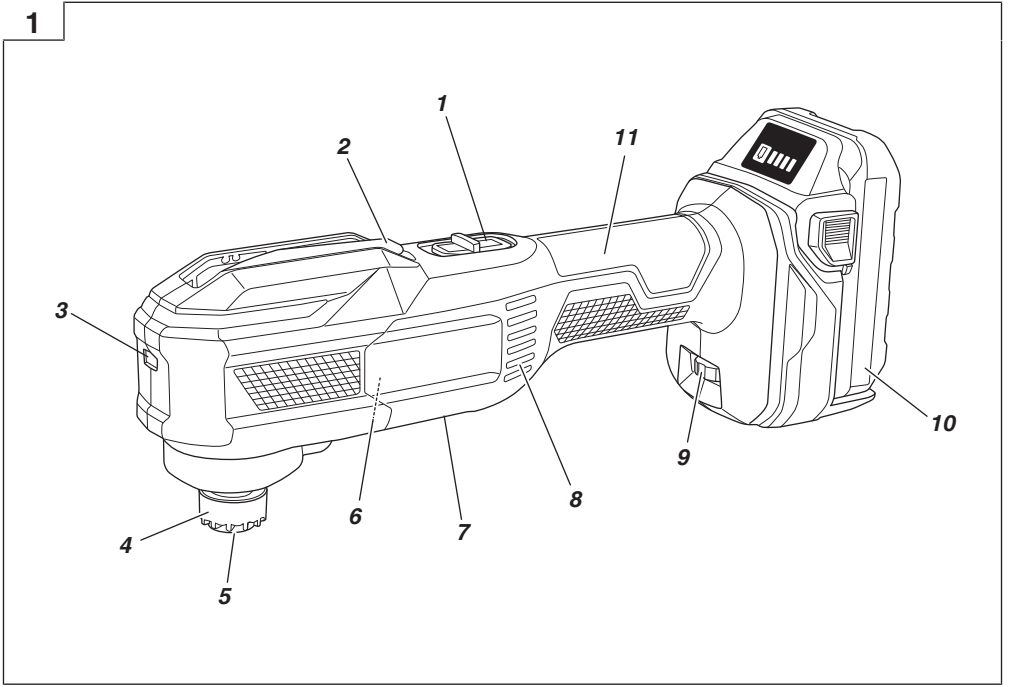
---

## **CV 18DA**

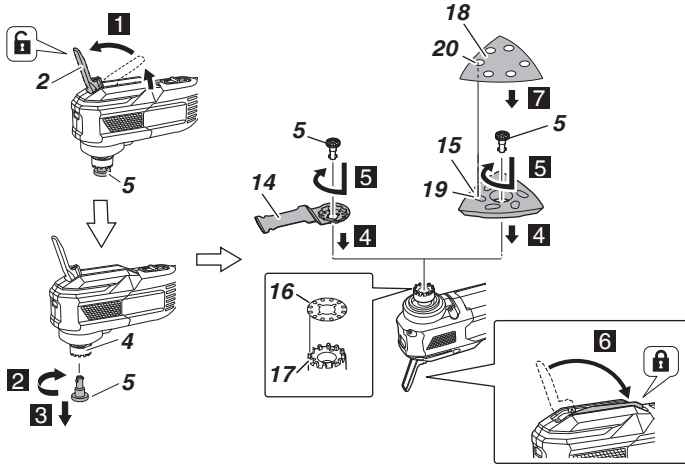
---



Handling instructions

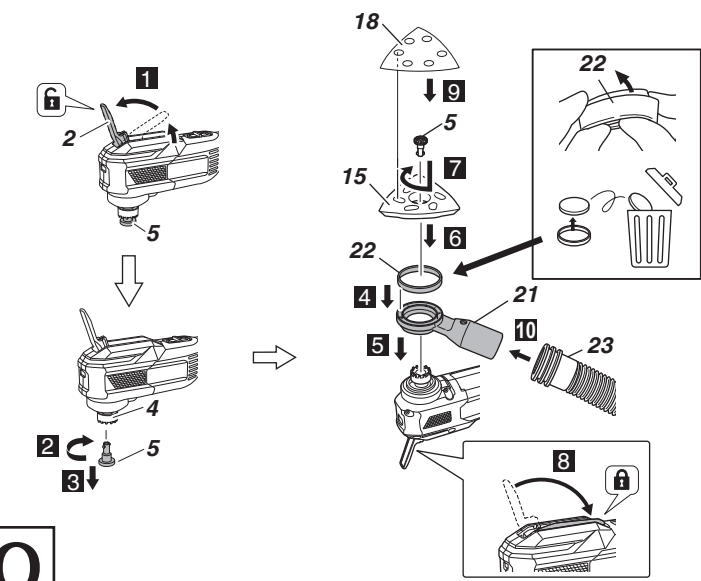


5

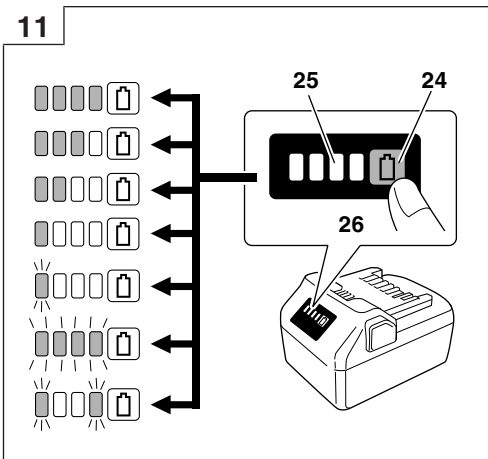
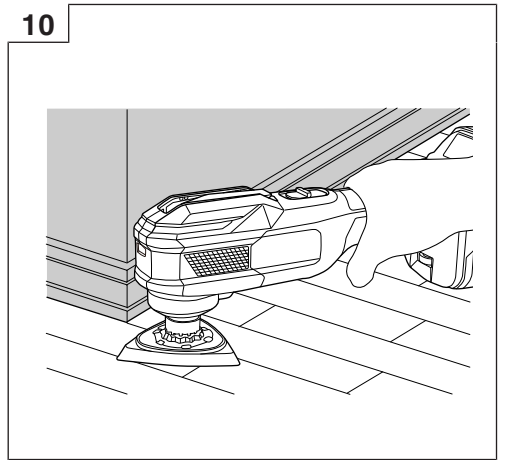
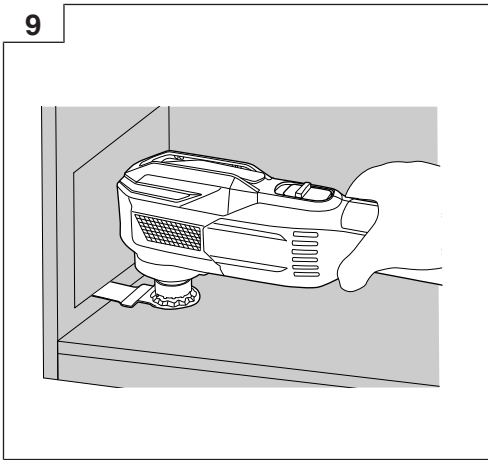
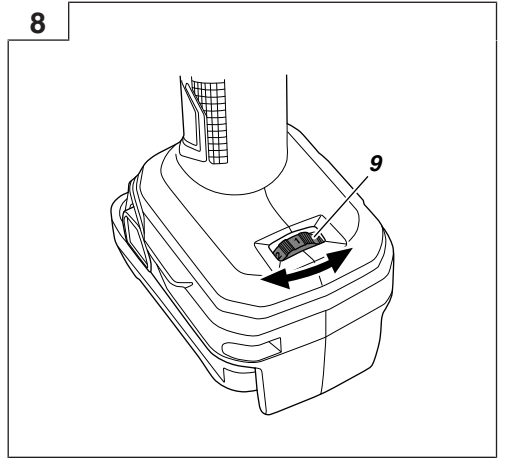
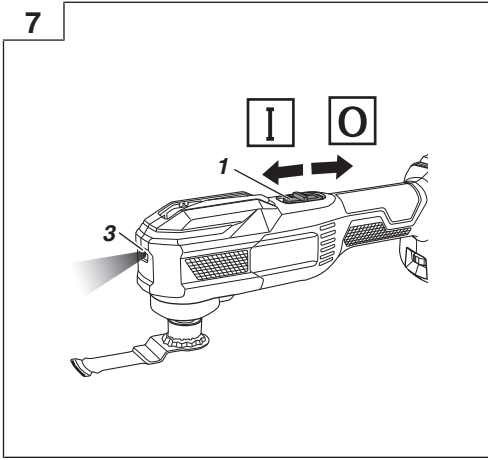


0

6



0



## GENERAL POWER TOOL SAFETY WARNINGS

### WARNING

Read all safety warnings, instructions, illustrations and specifications provided with this power tool.

Failure to follow all instructions listed below may result in electric shock, fire and/or serious injury.

Save all warnings and instructions for future reference.

The term "power tool" in the warnings refers to your mains-operated (corded) power tool or battery-operated (cordless) power tool.

#### 1) Work area safety

- a) **Keep work area clean and well lit.**  
*Cluttered or dark areas invite accidents.*
- b) **Do not operate power tools in explosive atmospheres, such as in the presence of flammable liquids, gases or dust.**  
*Power tools create sparks which may ignite the dust or fumes.*
- c) **Keep children and bystanders away while operating a power tool.**  
*Distractions can cause you to lose control.*

#### 2) Electrical safety

- a) **Power tool plugs must match the outlet. Never modify the plug in any way. Do not use any adapter plugs with earthed (grounded) power tools.**  
*Unmodified plugs and matching outlets will reduce risk of electric shock.*
- b) **Avoid body contact with earthed or grounded surfaces, such as pipes, radiators, ranges and refrigerators.**  
*There is an increased risk of electric shock if your body is earthed or grounded.*
- c) **Do not expose power tools to rain or wet conditions.**  
*Water entering a power tool will increase the risk of electric shock.*
- d) **Do not abuse the cord. Never use the cord for carrying, pulling or unplugging the power tool. Keep cord away from heat, oil, sharp edges or moving parts.**  
*Damaged or entangled cords increase the risk of electric shock.*
- e) **When operating a power tool outdoors, use an extension cord suitable for outdoor use.**  
*Use of a cord suitable for outdoor use reduces the risk of electric shock.*
- f) **If operating a power tool in a damp location is unavoidable, use a residual current device (RCD) protected supply.**  
*Use of an RCD reduces the risk of electric shock.*

#### 3) Personal safety

- a) **Stay alert, watch what you are doing and use common sense when operating a power tool. Do not use a power tool while you are tired or under the influence of drugs, alcohol or medication.**  
*A moment of inattention while operating power tools may result in serious personal injury.*
- b) **Use personal protective equipment. Always wear eye protection.**  
*Protective equipment such as a dust mask, non-skid safety shoes, hard hat or hearing protection used for appropriate conditions will reduce personal injuries.*

- c) **Prevent unintentional starting. Ensure the switch is in the off-position before connecting to power source and/or battery pack, picking up or carrying the tool.**  
*Carrying power tools with your finger on the switch or energising power tools that have the switch on invites accidents.*
  - d) **Remove any adjusting key or wrench before turning the power tool on.**  
*A wrench or a key left attached to a rotating part of the power tool may result in personal injury.*
  - e) **Do not overreach. Keep proper footing and balance at all times.**  
*This enables better control of the power tool in unexpected situations.*
  - f) **Dress properly. Do not wear loose clothing or jewellery. Keep your hair and clothing away from moving parts.**  
*Loose clothes, jewellery or long hair can be caught in moving parts.*
  - g) **If devices are provided for the connection of dust extraction and collection facilities, ensure these are connected and properly used.**  
*Use of dust collection can reduce dust-related hazards.*
  - h) **Do not let familiarity gained from frequent use of tools allow you to become complacent and ignore tool safety principles.**  
*A careless action can cause severe injury within a fraction of a second.*
- #### 4) Power tool use and care
- a) **Do not force the power tool. Use the correct power tool for your application.**  
*The correct power tool will do the job better and safer at the rate for which it was designed.*
  - b) **Do not use the power tool if the switch does not turn it on and off.**  
*Any power tool that cannot be controlled with the switch is dangerous and must be repaired.*
  - c) **Disconnect the plug from the power source and/ or remove the battery pack, if detachable, from the power tool before making any adjustments, changing accessories, or storing power tools.**  
*Such preventive safety measures reduce the risk of starting the power tool accidentally.*
  - d) **Store idle power tools out of the reach of children and do not allow persons unfamiliar with the power tool or these instructions to operate the power tool.**  
*Power tools are dangerous in the hands of untrained users.*
  - e) **Maintain power tools and accessories. Check for misalignment or binding of moving parts, breakage of parts and any other condition that may affect the power tool's operation. If damaged, have the power tool repaired before use.**  
*Many accidents are caused by poorly maintained power tools.*
  - f) **Keep cutting tools sharp and clean.**  
*Properly maintained cutting tools with sharp cutting edges are less likely to bind and are easier to control.*
  - g) **Use the power tool, accessories and tool bits etc. in accordance with these instructions, taking into account the working conditions and the work to be performed.**  
*Use of the power tool for operations different from those intended could result in a hazardous situation.*
  - h) **Keep handles and grasping surfaces dry, clean and free from oil and grease.**

*Slippery handles and grasping surfaces do not allow for safe handling and control of the tool in unexpected situations.*

## ADDITIONAL SAFETY WARNINGS

### 5) Battery tool use and care

#### a) Recharge only with the charger specified by the manufacturer.

*A charger that is suitable for one type of battery pack may create a risk of fire when used with another battery pack.*

#### b) Use power tools only with specifically designated battery packs.

*Use of any other battery packs may create a risk of injury and fire.*

#### c) When battery pack is not in use, keep it away from other metal objects, like paper clips, coins, keys, nails, screws or other small metal objects, that can make a connection from one terminal to another.

*Shorting the battery terminals together may cause burns or a fire.*

#### d) Under abusive conditions, liquid may be ejected from the battery; avoid contact. If contact accidentally occurs, flush with water. If liquid contacts eyes, additionally seek medical help.

*Liquid ejected from the battery may cause irritation or burns.*

#### e) Do not use a battery pack or tool that is damaged or modified.

*Damaged or modified batteries may exhibit unpredictable behaviour resulting in fire, explosion or risk of injury.*

#### f) Do not expose a battery pack or tool to fire or excessive temperature.

*Exposure to fire or temperature above 130°C may cause explosion.*

#### g) Follow all charging instructions and do not charge the battery pack or tool outside the temperature range specified in the instructions.

*Charging improperly or at temperatures outside the specified range may damage the battery and increase the risk of fire.*

### 6) Service

#### a) Have your power tool serviced by a qualified repair person using only identical replacement parts.

*This will ensure that the safety of the power tool is maintained.*

#### b) Never service damaged battery packs.

*Service of battery packs should only be performed by the manufacturer or authorized service providers.*

## PRECAUTION

**Keep children and infirm persons away. When not in use, tools should be stored out of reach of children and infirm persons.**

## CORDLESS MULTI TOOL SAFETY WARNINGS

1. **Hold the power tool by insulated gripping surfaces, when performing an operation where the cutting accessory may contact hidden wiring.**  
*Cutting accessory contacting a "live" wire may make exposed metal parts of the power tool "live" and could give the operator an electric shock.*
2. **Do not use this tool in wet applications.**  
*Water or moisture entering the tool could give the operator an electric shock.*

1. Always hold the tool firmly with one hand on housing (Fig. 2). Do not touch the metal part.
2. Make sure that the area to be cut is absolutely free of any hidden obstructions including electrical wiring, water, or gas pipes. Cutting into the aforementioned may result in electric shock or short circuit, gas leak or other hazards that can cause serious accidents or injuries.
3. Make sure to securely hold the tool during operation. Failure to do so can result in accidents or injuries.
4. Secure the workpiece. A workpiece clamped with clamping devices or in a vice is held more secure than by hand.
5. Setting up and checking the work environment. Check if the work environment is suitable by following the precaution.
6. Dust particles such as silica or asbestos are hazardous to your health. When working with materials containing these components, take appropriate dust-proofing measures.
7. Working with metal can cause sparks. Make sure there are no flammable and combustible materials in the vicinity and that they are stored in a safe location.
8. After use for continuous cutting or grinding works, rest the unit for 15 minutes or so when replacing the battery. The temperature of the motor, switch, etc., will rise if the work is started again immediately after battery replacement, eventually resulting in burnout.
9. The motor may stop in the event the tool is overloaded. In this should occur, release the tool's switch and eliminate the cause of the overload.
10. Do not touch the application tool, its attachment area or other metal surfaces immediately after use as they will be hot. Doing so may result in burns or injury. The metal is hot and can easily burn your skin.
11. Make sure that there is no one below when operating the tool in high locations. Dropping the tool or materials may result in accident or injury.
12. Never apply any unreasonable force to the application tool when working. Doing so may break the application tool or damage the motor.
13. Do not leave the tool running unattended on the floor, table or other locations. Doing so may result in injury.
14. When attaching application tools, be careful not to get your fingers or other extremities caught in the lever.
15. If the application tool seems to be loose or uneven after attaching it to the unit, follow the instructions in Fig. 5 and re-attach the tool. Operating the unit with a loose or uneven application tool may result in injury.
16. When switching on the tool, make sure the application tool is not in contact with any processing materials. Failure to do so may result in injury.
17. For cutting efficiency, switch the vibration frequency of the application tool according to task conditions and materials to be cut.
18. After use, be sure not to place the tool near chips or sawdust before it comes to a full stop as the tool may suck in those particles.
19. Do not polish wood with sanding paper used for metal polishing.
20. Do not use worn or clogged sanding paper.
21. Do not look directly into the light. Such actions could result in eye injury.  
*Wipe off any dirt or grime attached to the lens of the LED light with a soft cloth, being careful not to scratch the lens.  
Scratches on the lens of the LED light can result in decreased brightness.*

22. Always charge the battery at a temperature of 0°C–40°C. A temperature of less than 0°C will result in over charging which is dangerous. The battery cannot be charged at a temperature higher than 40°C. The most suitable temperature for charging is that of 20°C–25°C.
23. Do not use the charger continuously.  
When one charging is completed, leave the charger for about 15 minutes before the next charging of battery.
24. Do not allow foreign matter to enter the hole for connecting the rechargeable battery.
25. Never disassemble the rechargeable battery and charger.
26. Never short-circuit the rechargeable battery. Short-circuiting the battery will cause a great electric current and overheat. It results in burn or damage to the battery.
27. Do not dispose of the battery in fire. If the battery is burnt, it may explode.
28. Bring the battery to the shop from which it was purchased as soon as the post-charging battery life becomes too short for practical use. Do not dispose of the exhausted battery.
29. Do not insert objects into the air ventilation slots of the charger.  
Inserting metal objects or inflammables into the charger air ventilation slots will result in electrical shock hazard or a damaged charger.
30. When using this unit continuously, the unit may overheat, leading to damage in the motor and switch. Therefore, whenever the housing becomes hot, give the tool a break for a while.
31. Make sure that the battery is installed firmly. If it is at all loose it could come off and cause an accident.
32. Do not use the product if the tool or the battery terminals (battery mount) are deformed.  
Installing the battery could cause a short circuit that could result in smoke emission or ignition.
33. Keep the tool's terminals (battery mount) free of swarf and dust.
  - Prior to use, make sure that swarf and dust have not collected in the area of the terminals.
  - During use, try to avoid swarf or dust on the tool from falling on the battery.
  - When suspending operation or after use, do not leave the tool in an area where it may be exposed to falling swarf or dust.  
Doing so could cause a short circuit that could result in smoke emission or ignition.
34. Always use the tool and battery at temperatures between -5°C and 40°C.

## CAUTION ON LITHIUM-ION BATTERY

To extend the lifetime, the lithium-ion battery equips with the protection function to stop the output. In the cases of 1 to 3 described below, when using this product, even if you are pulling the switch, the motor may stop. This is not the trouble but the result of protection function.

1. When the battery power remaining runs out, the motor stops.  
In such a case, charge it up immediately.
2. If the tool is overloaded, the motor may stop. In this case, release the switch of tool and eliminate causes of overloading. After that, you can use it again.
3. If the battery is overheated under overload work, the battery power may stop.  
In this case, stop using the battery and let the battery cool. After that, you can use it again.

Furthermore, please heed the following warning and caution.

## WARNING

In order to prevent any battery leakage, heat generation, smoke emission, explosion and ignition beforehand, please be sure to heed the following precautions.

1. Make sure that swarf and dust do not collect on the battery.
  - During work make sure that swarf and dust do not fall on the battery.
  - Make sure that any swarf and dust falling on the power tool during work do not collect on the battery.
  - Do not store an unused battery in a location exposed to swarf and dust.
  - Before storing a battery, remove any swarf and dust that may adhere to it and do not store it together with metal parts (screws, nails, etc.).
2. Do not pierce battery with a sharp object such as a nail, strike with a hammer, step on, throw or subject the battery to severe physical shock.
3. Do not use an apparently damaged or deformed battery.
4. Do not use the battery for a purpose other than those specified.
5. If the battery charging fails to complete even when a specified recharging time has elapsed, immediately stop further recharging.
6. Do not put or subject the battery to high temperatures or high pressure such as into a microwave oven, dryer, or high pressure container.
7. Keep away from fire immediately when leakage or foul odor are detected.
8. Do not use in a location where strong static electricity generates.
9. If there is battery leakage, foul odor, heat generated, discolored or deformed, or in any way appears abnormal during use, recharging or storage, immediately remove it from the equipment or battery charger, and stop use.
10. Do not immerse the battery or allow any fluids to flow inside. Conductive liquid ingress, such as water, can cause damage resulting in fire or explosion. Store your battery in a cool, dry place, away from combustible and flammable items. Corrosive gas atmospheres must be avoided.
11. Do not give a strong shock to the display panel or break it. It may lead to a trouble.

## CAUTION

1. If liquid leaking from the battery gets into your eyes, do not rub your eyes and wash them well with fresh clean water such as tap water and contact a doctor immediately.  
If left untreated, the liquid may cause eye-problems.
2. If liquid leaks onto your skin or clothes, wash well with clean water such as tap water immediately.  
There is a possibility that this can cause skin irritation.
3. If you find rust, foul odor, overheating, discolor, deformation, and/or other irregularities when using the battery for the first time, do not use and return it to your supplier or vendor.

## WARNING

If a conductive foreign matter enters in the terminal of lithium ion battery, the battery may be shorted, causing fire. When storing the lithium ion battery, obey surely the rules of following contents.

- Do not place conductive debris, nail and wires such as iron wire and copper wire in the storage case.
- To prevent shorting from occurring, load the battery in the tool or insert securely the battery cover for storing until the ventilator is not seen.

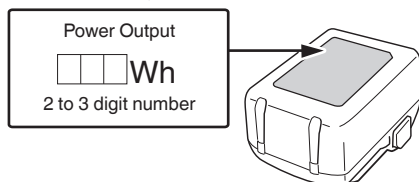
## REGARDING LITHIUM-ION BATTERY TRANSPORTATION

When transporting a lithium-ion battery, please observe the following precautions.

### WARNING

Notify the transporting company that a package contains a lithium-ion battery, inform the company of its power output and follow the instructions of the transportation company when arranging transport.

- Lithium-ion batteries that exceed a power output of 100 Wh are considered to be in the freight classification of Dangerous Goods and will require special application procedures.
- For transportation abroad, you must comply with international law and the rules and regulations of the destination country.



## NAMES OF PARTS

The numbers in the list below correspond to **Fig. 1–Fig. 11**.

1	Switch
2	Lever
3	LED light
4	Attachment ring
5	Tool shaft
6	Motor
7	Nameplate
8	Ventilation holes
9	Dial
10	Battery
11	Handle
12	Latch
13	Pilot lamp
14	Blade
15	Pad
16	Retaining hole
17	Attachment ring lug
18	Sanding paper
19	Pad holes
20	Sanding paper holes
21	Dust collection adapter
22	Felt packing

23	Hose
24	Remaining battery indicator switch
25	Remaining battery indicator lamp
26	Display panel

## SYMBOLS




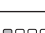


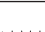
### WARNING

The following show symbols used for the machine. Be sure that you understand their meaning before use.

	CV18DA: Cordless Multi Tool
	To reduce the risk of injury, user must read instruction manual.
	Direct current
V	Rated voltage
$n_0$	No-load speed
/min	Oscillation per minute
	Oscillation angle
	Weight
	Switching ON
	Switching OFF
	Disconnect the battery
	Lock
	Unlock
	Pad
	Sanding paper
	Blade
	Dust collection adapter set
	Accessory case
	Prohibited action
	Warning



## Battery

	Lights ; The battery remaining power is over 75%.
	Lights ; The battery remaining power is 50%–75%.
	Lights ; The battery remaining power is 25%–50%.
	Lights ; The battery remaining power is less than 25%.
	Blinks ; The battery remaining power is nearly empty. Recharge the battery soonest possible.
	Blinks ; Output suspended due to high temperature. Remove the battery from the tool and allow it to fully cool down.
	Blinks ; Output suspended due to failure or malfunction. The problem may be the battery so please contact your dealer.

## 3. Charging





When inserting a battery in the charger, charging will commence and the pilot lamp will light continuously in red.

When the battery becomes fully recharged, the pilot lamp will blink in red. (See **Table 1**)

### (1) Pilot lamp indication

The indications of the pilot lamp will be as shown in **Table 1**, according to the condition of the charger or the rechargeable battery.

**Table 1:** Indications of the pilot lamp

ON/OFF at 0.5 sec. intervals 	Before charging *1 or Charging complete
Lights continuously 	While charging
Lights for 1 sec. at intervals of 0.5 sec. 	Overheat standby *2
ON/OFF at 0.1 sec. intervals 	Charging impossible *3

### NOTE

\*1 If the red lamp continues to blink even after the charger has been attached, check to confirm that the battery has been fully inserted.

\*2 Battery overheated. Unable to charge. Although charging will start once the battery has cooled down even when left in situ, the best practice is to remove the battery and allow it to cool down in a shaded, well-ventilated location before charging.

\*3 Malfunction in the battery or the charger

- Fully insert the battery.
- Check to confirm that no foreign matter is stuck to the battery mount or terminals. If there are no foreign objects, it is probable that the battery or charger is malfunctioning. Take it to your authorized Service Center.

- If the pilot lamp does not blink in red even though the charger cord is connected to the power, it indicates that the protection circuit of the charger may be activated. Remove the cord or plug from the power and then connect it again after 5 minutes or so. If this does not cause the pilot lamp to blink in red, please take the charger to the HiKOKI Authorized Service Center.
- When the battery charger has been continuously used, the battery charger will be heated, thus constituting the cause of the failures. Once the charging has been completed, give 15 minutes rest until the next charging.

(2) Regarding the temperatures and charging time of the battery. (See **Table 2**)

**Table 2**

Model	UC18YFSL	
Type of battery	Li-ion	
Charging voltage	14.4–18 V	
Temperatures at which the battery can be recharged	0°C–50°C	
Charging time for battery capacity, approx. (At 20°C)	1.5 Ah	22 min
	2.0 Ah	30 min

## STANDARD ACCESSORIES

In addition to the main unit (1 unit), the package contains the accessories listed on page 12.

Standard accessories are subject to change without notice.

## APPLICATIONS

- Flush cutting and pocket cutting of various materials
- Peeling of tiles, caulking, etc.
- Polishing wood materials, etc.

## SPECIFICATIONS

### 1. Power tool

The specifications of this machine are listed in the Table on page 12.

### NOTE

Due to HiKOKI's continuing program of research and development, the specifications herein are subject to change without prior notice.

### 2. Battery

Model	Voltage	Battery capacity
BSL1820M	18 V	2.0 Ah

## CHARGING

Before using the power tool, charge the battery as follows.

### <UC18YFSL>

#### 1. Connect the charger's power cord to the receptacle.

When connecting the plug of the charger to a receptacle, the pilot lamp will blink in red. (See **Table 1**)

#### 2. Insert the battery into the charger.

Firmly insert the battery into the charger as shown in **Fig. 4** (on page 2).

Charging time for battery capacity, approx. (At 20°C)	2.5 Ah	35 min
	3.0 Ah	45 min
	4.0 Ah	60 min
	5.0 Ah	75 min
	6.0 Ah	90 min
Charging time for multi volt battery capacity, approx. (At 20°C)	1.5 Ah (x 2 unit)	45 min
	2.5 Ah (x 2 unit)	75 min
	4.0 Ah (x 2 unit)	120 min
Number of battery cells		4–10
Weight		0.5 kg

#### NOTE

- The recharging time may vary according to the ambient temperature and power source voltage.
- If charging takes a long time
  - Charging will take longer at extremely low ambient temperatures. Charge the battery in a warm location (such as indoors).
  - Do not block the air vent. Otherwise the interior will overheat, reducing the charger's performance.
  - If the cooling fan is not operating, contact a HiKOKI Authorized Service Center for repairs.

#### 4. Disconnect the charger's power cord from the receptacle.

#### 5. Hold the charger firmly and pull out the battery.

#### NOTE

Be sure to pull out the battery from the charger after use, and then keep it.

#### Regarding electric discharge in case of new batteries, etc.

As the internal chemical substance of new batteries and batteries that have not been used for an extended period is not activated, the electric discharge might be low when using them the first and second time. This is a temporary phenomenon, and normal time required for recharging will be restored by recharging the batteries 2–3 times.

#### How to make the batteries perform longer.

- (1) Recharge the batteries before they become completely exhausted. When you feel that the power of the tool becomes weaker, stop using the tool and recharge its battery. If you continue to use the tool and exhaust the electric current, the battery may be damaged and its life will become shorter.
- (2) Avoid recharging at high temperatures. A rechargeable battery will be hot immediately after use. If such a battery is recharged immediately after use, its internal chemical substance will deteriorate, and the battery life will be shortened. Leave the battery and recharge it after it has cooled for a while.

## MOUNTING AND OPERATION

Action	Figure	Page
Removing and inserting the battery	3	2

Action	Figure	Page
Charging	4	2
Mounting the application tool*1	5	3
Mounting dust collection adapter*2	6	3
Switch operation *3	7	4
Adjusting operating speed*4	8	4
Sawing	9	4
Sanding	10	4
Remaining battery indicator	11	4
Selecting accessories*5	—	13

#### \*1 Mounting the application tool

#### CAUTION

The lever is attached to a strong spring. Be very careful not to get your fingers caught when pushing the lever down.

#### \*2 Mounting dust collection adapter

For use with MSU93D only

#### \*3 Switch operation

When the switch is turned on, the LED light blinks at the same time.

#### \*4 Adjusting operating speed

You can change the vibration frequency between 6000 to 20000 /min by adjusting the dial from "1" to "6". Adjust the dial for the speed that best suits your task conditions and materials.

#### \*5 Select accessories that are suited to a specific task. For details contact HiKOKI Authorized Service Center.

## MAINTENANCE AND INSPECTION

#### WARNING

Be sure to turn off the switch and remove the battery before maintenance and inspection.

#### 1. Inspecting the application tool

Continued use of a dull or damaged application tool will result in reduced cutting efficiency and may cause overloading of the motor. Replace the application tool with a new one as soon as excessive abrasion is noted.

#### 2. Inspecting the mounting screws

Regularly inspect all mounting screws and ensure that they are properly tightened. Should any of the screws be loose, retighten them immediately. Failure to do so could result in serious hazard.

#### 3. Maintenance of the motor

The motor unit winding is the very "heart" of the power tool. Exercise due care to ensure the winding does not become damaged and/or wet with oil or water.

#### 4. Inspection of terminals (tool and battery)

Check to make sure that swarf and dust have not collected on the terminals. On occasion check prior, during and after operation.

#### 5. Cleaning on the outside

When the power tool is stained, wipe with a soft dry cloth or a cloth moistened with soapy water. Do not use chloric solvents, gasoline or paint thinner, for they melt plastics.

#### 6. Storage

Store the power tool and battery in a place in which the temperature is less than 40°C and out of reach of children.

#### NOTE

Storing lithium-ion batteries.

Make sure the lithium-ion batteries have been fully charged before storing them. Prolonged storage (3 months or more) of batteries with a low charge may result in performance deterioration, significantly reducing battery usage time or rendering the batteries incapable of holding a charge. However, significantly reduced battery usage time may be recovered by repeatedly charging and using the batteries two to five times. If the battery usage time is extremely short despite repeated charging and use, consider the batteries dead and purchase new batteries.

**CAUTION**



In the operation and maintenance of power tools, the safety regulations and standards prescribed in each country must be observed.


**Important notice on the batteries for the HiKOKI cordless power tools**

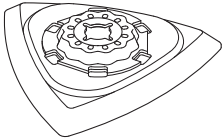
Please always use one of our designated genuine batteries. We cannot guarantee the safety and performance of our cordless power tool when used with batteries other than these designated by us, or when the battery is disassembled and modified (such as disassembly and replacement of cells or other internal parts).

**NOTE**

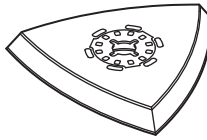
Due to HiKOKI's continuing program of research and development, the specifications herein are subject to change without prior notice.

	CV18DA
V	18 V
$n_0$	6000–20000 /min
	3.6°
	1.6–2.2 kg

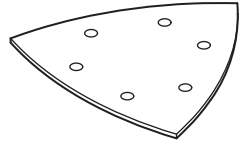
	CV18DA
	(NN)
 MSD32PBC	1



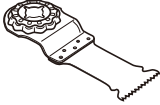
MSU93D : 782791



335903



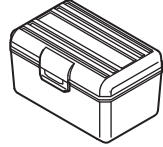
#60, 80, 100, 120, 180, 240



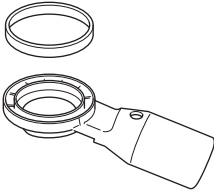
MSW32PC : 782733  
MSD32PBC : 782721  
MSM32PB : 782714  
MSM20PB : 782712



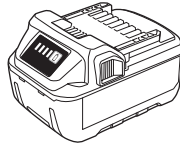
376118



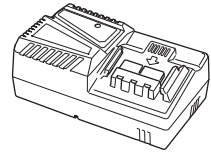
337685



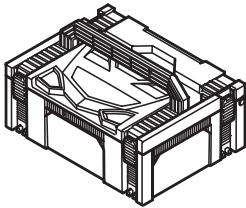
376066



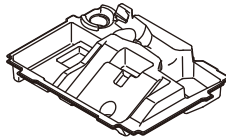
BSL18...



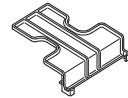
UC18YFSL (14.4 V-18 V)



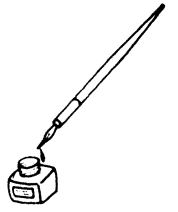
336471

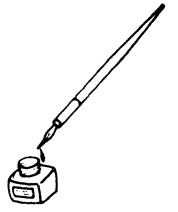


380944



329897





# Koki Holdings Co., Ltd.

Shinagawa Intercity Tower A, 15-1, Konan 2-chome,  
Minato-ku, Tokyo, Japan