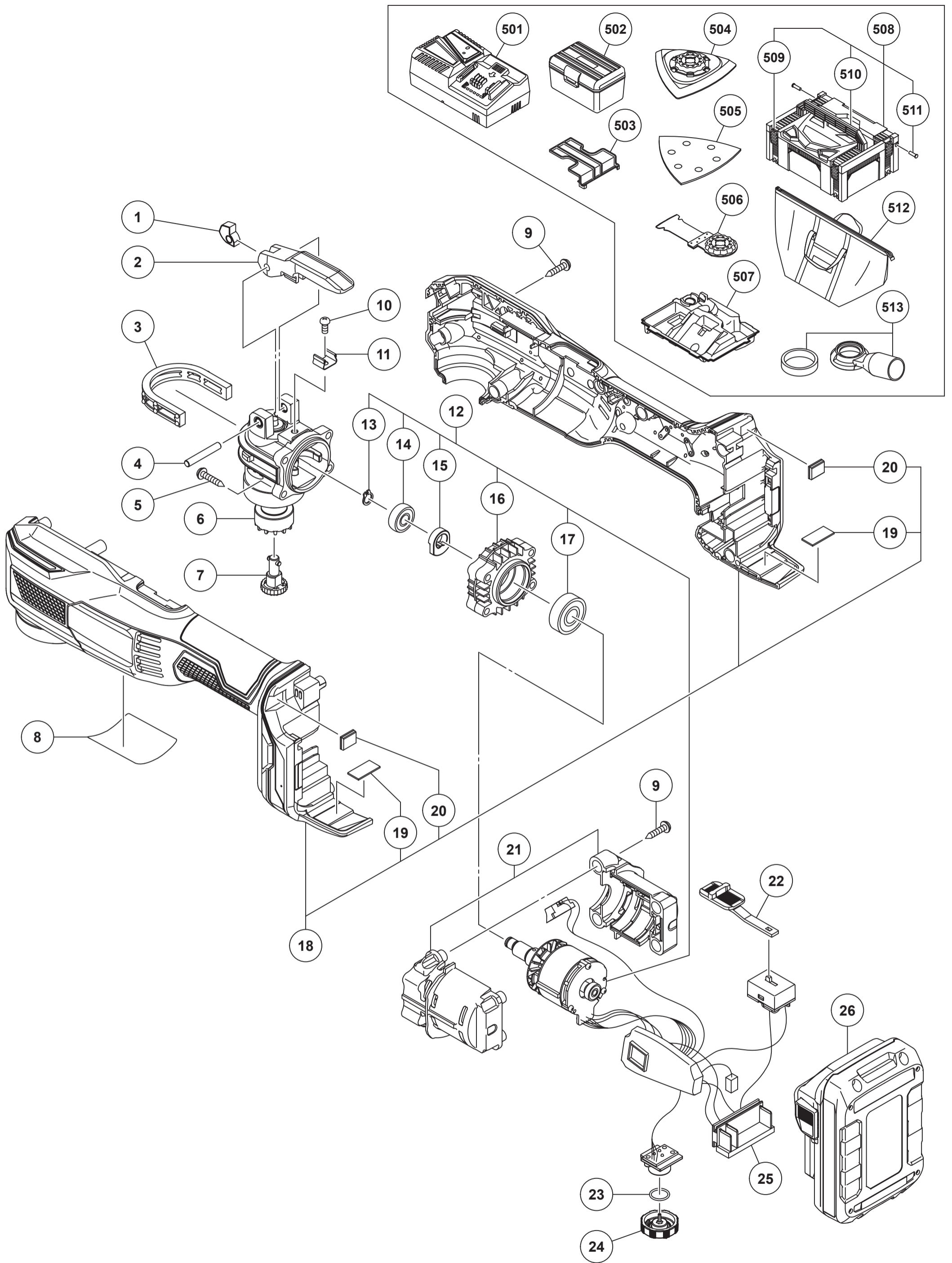


# HIKOKI

## CORDLESS OTHERS CV18DA

| Item No. | Code No. | Description                            | No. Used | Remarks                               |
|----------|----------|--|----------|---------------------------------------|
| *1       | 380982   | PUSHING PIECE                          | 1        |                                       |
| *2       | 380983   | LEVER SET                              | 1        |                                       |
| 3        | 380989   | HEAD RUBBER                            | 1        |                                       |
| 4        | 337668   | NEEDLE ROLLER                          | 1        |                                       |
| 5        | 303694   | TAPPING SCREW (W/FLANGE) D4X35 (BLACK) | 4        |                                       |
| 6        | 380980   | HEAD CASE                              | 1        |                                       |
| 7        | 380981   | TOOL SHAFT                             | 1        |                                       |
| 8        |          | NAME PLATE                             | 1        |                                       |
| 9        | 301653   | TAPPING SCREW (W/FLANGE) D4X20 (BLACK) | 13       |                                       |
| 10       | 337670   | SEAL LOCK SCREW M4X6                   | 1        |                                       |
| 11       | 337669   | LEVER GUIDE                            | 1        |                                       |
| 12       | 380984   | WIRING ASS'Y                           | 1        | INCLUD. 13-17, 25                     |
| 13       | 994251   | RETAINING RING FOR D7 SHAFT            | 1        |                                       |
| 14       | 380987   | BALL BEARING-R 607                     | 1        |                                       |
| 15       | 380988   | BALANCER                               | 1        |                                       |
| 16       | 380986   | BEARING HOLDER                         | 1        |                                       |
| 17       | 6000VV   | BALL BEARING 6000VVCMP2L               | 1        |                                       |
| *18      | 380992   | HOUSING (A).(B) SET                    | 1        | INCLUD. 19, 20                        |
| 19       | 338434   | RUBBER CUSHION (B)                     | 2        |                                       |
| 20       | 370321   | DAMPER (A)                             | 2        |                                       |
| 21       | 380990   | MOTOR CASE (A).(B) SET                 | 1        |                                       |
| 22       | 380993   | SWITCH KNOB                            | 1        |                                       |
| 23       | 987105   | O-RING (S-10)                          | 1        |                                       |
| 24       | 379151   | DIAL                                   | 1        |                                       |
| 25       | 376361   | BATTERY TERMINAL                       | 1        |                                       |
|          |          | STANDARD ACCESSORIES                   |          |                                       |
| *506     |          | MULTI TOOL BLADE (MSD32PBC)            | 1        |                                       |
|          |          |  |          | EPC CODE NO.782721 EXCEPT FOR USA,CAN |
|          |          | OPTIONAL ACCESSORIES                   |          |                                       |
| 601      | 376066   | DUST COLLECTION ADAPTER SET            | 1        | INCLUD. 602                           |
| 602      | 376118   | FELT PACKING                           | 1        |                                       |

\* ALTERNATIVE PARTS



MODEL  
CV18DA