

# HIKOKI

## CORDLESS ROTARY HAMMER DH3628DA

Item No.	Code No.	Description	No. Used	Remarks
1	375363	GRIP SET	1	INCLUD.2-7,20
2	306345	FRONT CAP	1	
3	306340	STOPPER RING	1	
4	374436	GRIP	1	
5	374437	BALL HOLDER	1	
6	374435	HOLDER PLATE	1	
7	322812	HOLDER SPRING	1	
8	379084	TAPPING SCREW (W/FLANGE) D5 (BLACK)	4	
9		NAME PLATE	1	
10	335259	OIL SEAL	1	
11	6805BB	BALL BEARING 6805	1	
12	322789	PUSHING BUTTON	1	
13	317223	PUSHING SPRING	1	
14	334011	CHANGE LEVER	1	
15	878885	O-RING (S-18)	1	
16	379954	GEAR COVER ASS'Y	1	INCLUD.18
17	335800	SPRING (E)	1	
18	608VVM	BALL BEARING 608VVC2PS2L	1	
19	374422	SHAFT HOLDER (B)	1	
20	335300	STEEL BALL D7.0 (10 PCS.)	1	
21	374426	CYLINDER	1	
22	335265	SECOND GEAR	1	
23	374430	SPRING (B)	1	
24	301679	WASHER (A)	2	
25	948310	RETAINING RING FOR D30 SHAFT	1	
26	335262	OIL SEAL (A)	1	
27	375014	HAMMER HOLDER (D)	1	
28	374432	SECOND HAMMER	1	
29	374429	HAMMER HOLDER (A)	1	
30	322805	DAMPER (A)	1	
31	322808	O-RING (C)	1	
32	324524	DAMPER HOLDER	1	
33	322807	STOPPER RING	1	
34	374443	STRIKER	1	
35	372816	O-RING	1	
36	372817	PISTON	1	
37	335794	PISTON WASHER	2	
38	990079	SEAL LOCK HEX. SOCKET HD. BOLT M5X16	4	
39	379079	INNER COVER (B)	1	
40	370310	O-RING	1	
41	379947	SUPPORT (B)	2	
42	379077	INNER COVER (A)	1	
43	877839	SEAL LOCK HEX. SOCKET HD. BOLT M5X10	2	
44	374627	WEIGHT (A)	1	
45	335282	LEAF SPRING	1	
46	374628	WEIGHT (B)	1	
47	325241	SEAL LOCK HEX. SOCKET HD. BOLT M3X8	2	
48	334008	AIR CAP	1	
49	324543	FELT PACKING (A)	1	
50	335793	PISTON PIN	1	
51	335249	RECIPROCATING BEARING	1	
52	379930	BEARING WASHER	1	
53	370312	BEARING HOLDER (B)	1	

\* ALTERNATIVE PARTS

# HIKOKI

## CORDLESS ROTARY HAMMER DH3628DA

Item No.	Code No.	Description	No. Used	Remarks
54	608VVM	BALL BEARING 608VVC2PS2L	1	
55	379082	BEARING COVER (A)	1	
56	379083	BEVEL GEAR	1	
57	379068	SHUTTER	1	
58	379069	SHUTTER SPRING	2	
59	379946	DUST WASHER	1	
60	370315	FELT PACKING	1	
61	379078	PACKING WASHER	1	
62	872470	O-RING (S-26)	1	
63	374626	SPRING HOLDER	1	
64	983162	SEAL LOCK HEX. SOCKET HD. BOLT M4X12	2	
65	374434	LOCK PLATE	1	
66	374440	SECOND PINION	1	
67	323182	CLUTCH SPRING	1	
68	375022	CLUTCH	1	
69	331315	WASHER	1	
70	374439	CHANGE PLATE (C)	1	
71	379080	SECOND SHAFT	1	
*72	379070	HOUSING (A).(B) SET	1	INCLUD.41
73	361188	ROTOR (A)	1	
74	341156	WIRING ASS'Y (A)	1	INCLUD.75,76
75	379957	SUPPORT (B)	2	
76	379067	SPEED CONTROL SWITCH	1	
77	324225	PUSHING BUTTON (B)	1	
78	306664	TAPPING SCREW (W/FLANGE) D4X40 (BLACK)	3	
79	379138	HOUSING PLATE	1	
80	379074	HANDLE SPRING	1	
81	379137	HANDLE PLATE	1	
82	301653	TAPPING SCREW (W/FLANGE) D4X20 (BLACK)	12	
83	379350	MV LABEL (B) (2)	1	
84	379349	MV LABEL (A) (2)	1	
85	379071	HANDLE (A).(B) ASS'Y	1	INCLUD.86
86	379072	HANDLE GUIDE	2	
87	379076	HANDLE WASHER	2	
88	379075	HANDLE COLLAR	2	
89	379073	HANDLE DAMPER	2	
90	373521	BATTERY RUBBER (B)	1	
92	379945	INNER COVER ASS'Y (A)	1	INCLUD.41-43,59-62,73
		STANDARD ACCESSORIES		
502	374447	SIDE HANDLE	1	
504	303709	DEPTH GAUGE	1	
		OPTIONAL ACCESSORIES		
*601	379135	DUST EXTRACTION UNIT (IN CARTON BOX)	1	
*602	379136	DUST EXTRACTION UNIT (IN STACKABLE CASE)	1	EXCEPT FOR USA,CAN
603	303332	HAMMER DRILL CHUCK SET 13MM	1	INCLUD.604,605
604	303334	CHUCK HANDLE	1	
605	303335	RUBBER CAP	1	
606	321825	DRILL CHUCK AND ADAPTER SET	1	INCLUD.607,608
607	303623	CHUCK ADAPTER (G) (SDS PLUS)	1	
608	321814	DRILL CHUCK 13VLRB-D	1	INCLUD.609,610
609	331966	FLAT HD. SCREW (LEFT HAND) M6X20	1	
610	303334	CHUCK HANDLE	1	
611	321813	DRILL CHUCK 13VLD-D	1	INCLUD.604

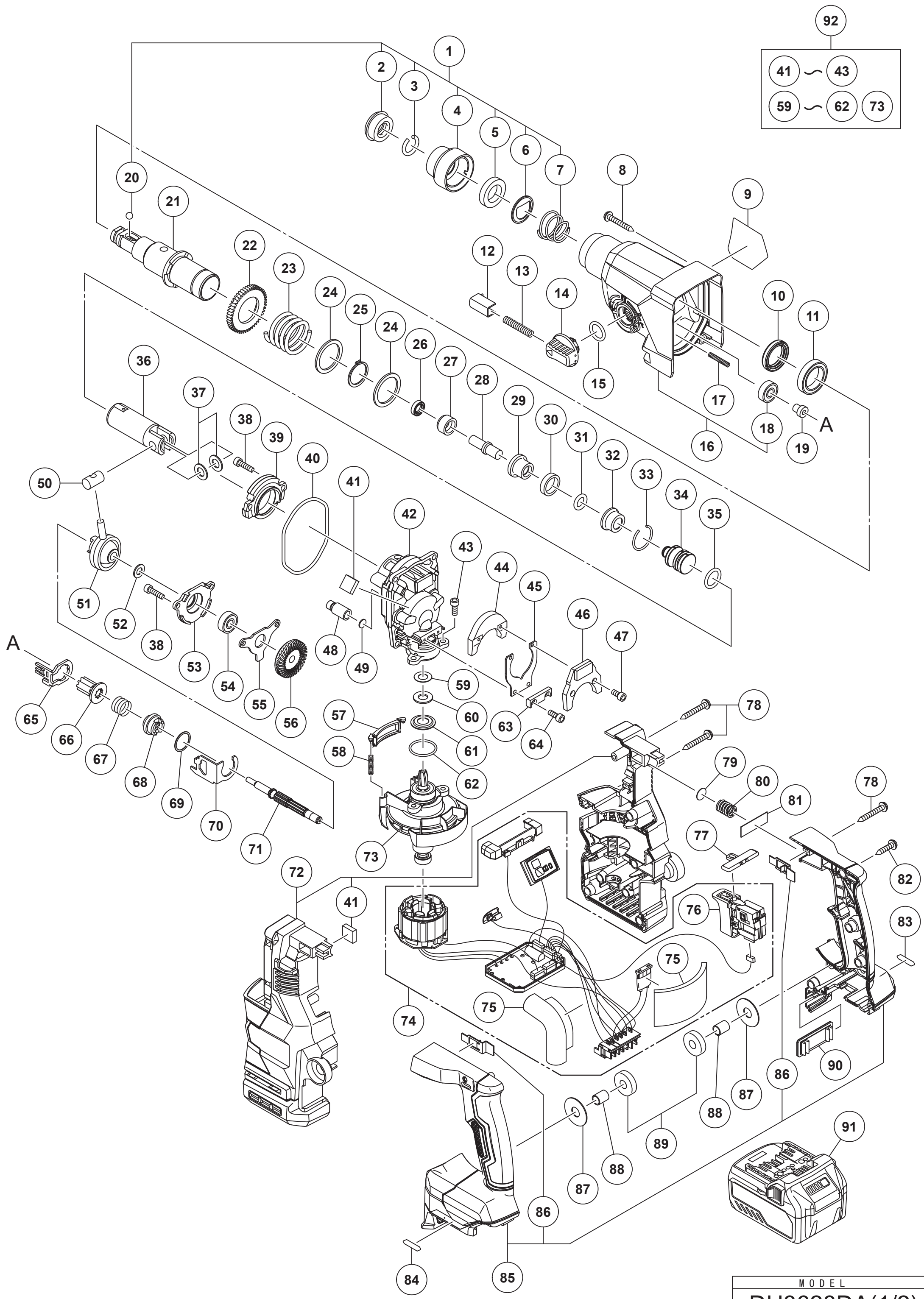
\* ALTERNATIVE PARTS



# CORDLESS ROTARY HAMMER DH3628DA

Item No.	Code No.	Description	No. Used	Remarks
612	971787	DUST CUP	1	
613	931844	STOPPER	1	
614	971511Z	+ DRIVER BIT (A) NO.2 25L	1	
615	971512Z	+ DRIVER BIT (A) NO.3 25L	1	
616	306885	DUST COLLECTOR (B) ASS'Y	1	INCLUD.617
617	306910	SOCKET ADAPTER (B)	1	
*618	378023	DUST COLLECTION ADAPTER SET (A)	1	
*619	378054	DUST COLLECTION CUP ASS'Y	1	
620	379770	HOOK ASS'Y (A)	1	
621	335782	GREASE FOR ROTARY HAMMER (60G)	1	
622	335781	GREASE FOR ROTARY HAMMER (500G)	1	

\* ALTERNATIVE PARTS



41	~	43
59	~	62
		73

