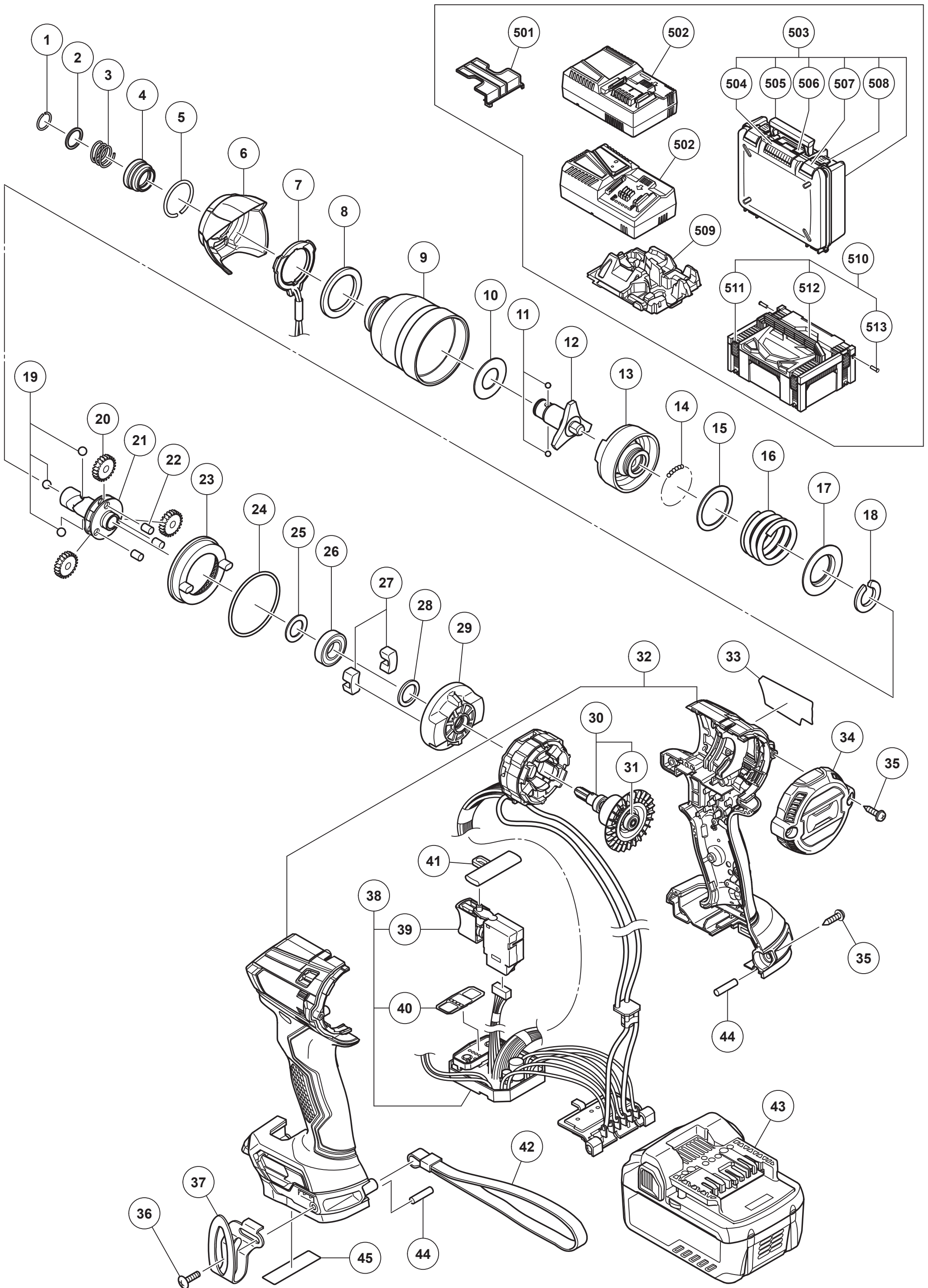


HIKOKI

CORDLESS IMPACT DRIVER WH18DC

Item No.	Code No.	Description	No. Used	Remarks
1	330619	RETAINING RING	1	
2	330856	WASHER (D)	1	
3	370581	GUIDE SPRING	1	
4	376528	GUIDE SLEEVE	1	
5	373156	CIRCLIP	1	
6	377888	PROTECTOR	1	
7	376606	LED-LIGHT	1	
8	376608	SPONGE	1	
9	378618	HAMMER CASE	1	
10	376532	WASHER (F)	1	
11	319535	STEEL BALL D3.5 (10 PCS.)	2	
*12	377890	ANVIL (S)	1	
13	376530	HAMMER	1	
14	329303	STEEL BALL D2.5 (10 PCS.)	36	
15	376533	WASHER (J)	1	
16	376534	HAMMER SPRING	1	
17	316172	WASHER (S)	1	
18	370582	STOPPER	1	
19	959154	STEEL BALL D5.556 (10 PCS.)	3	
20	370584	IDLE GEAR SET (3 PCS.)	3	
21	376531	SPINDLE	1	
22	370585	NEEDLE ROLLER	3	
23	376535	RING GEAR	1	
24	983852	O-RING (S-42)	1	
25	370583	WASHER (E)	1	
26	323118	BALL BEARING 6901VV-N	1	
27	324230	DAMPER (A)	2	
28	376609	FELT (B)	1	
29	376536	INNER COVER	1	
30	378641	ROTOR PINION ASS'Y	1	INCLUD.31
31	335723	BALL BEARING 604DD	2	
*32	378639	HOUSING (A).(B) SET (AGGRESSIVE GREEN)	1	
33		NAME PLATE	1	
34	378617	TAIL COVER	1	
35	313687	TAPPING SCREW (W/FLANGE) D3X16 (BLACK)	10	
36	327001	TRUSS HD. SCREW M4 (BLACK)	1	
37	372229	HOOK	1	
38	378642	WIRING ASS'Y	1	INCLUD.7,39,40
39	378620	DC-SPEED CONTROL SWITCH	1	
40	378643	PANEL SHEET (B)	1	
41	378619	PUSHING BUTTON	1	
42	306952	STRAP (BLACK)	1	
44	373041	REAR BUMPER	2	
		STANDARD ACCESSORIES		
		OPTIONAL ACCESSORIES		
*601	321823	DRILL CHUCK AND ADAPTER SET	1	INCLUD.602,603 FOR EUROPE,AUS,NZL,USA,CAN
*602	307543	CHUCK ADAPTER	1	FOR EUROPE,AUS,NZL,USA,CAN
*603	987575	CHUCK WRENCH FOR 10VLB-D,10VLR-D	1	FOR EUROPE,AUS,NZL,USA,CAN
604	309922	GREASE (ATTOLUB MS NO.2) 500G	1	
605	325149	GREASE (MOLUB-ALLOY NO.777-1) 75G	1	
606	930035	GREASE (SEP-3A) (100G)	1	
607	930038	GREASE (SEP-3A) (2.5KG)	1	

* ALTERNATIVE PARTS



MODEL
WH18DC