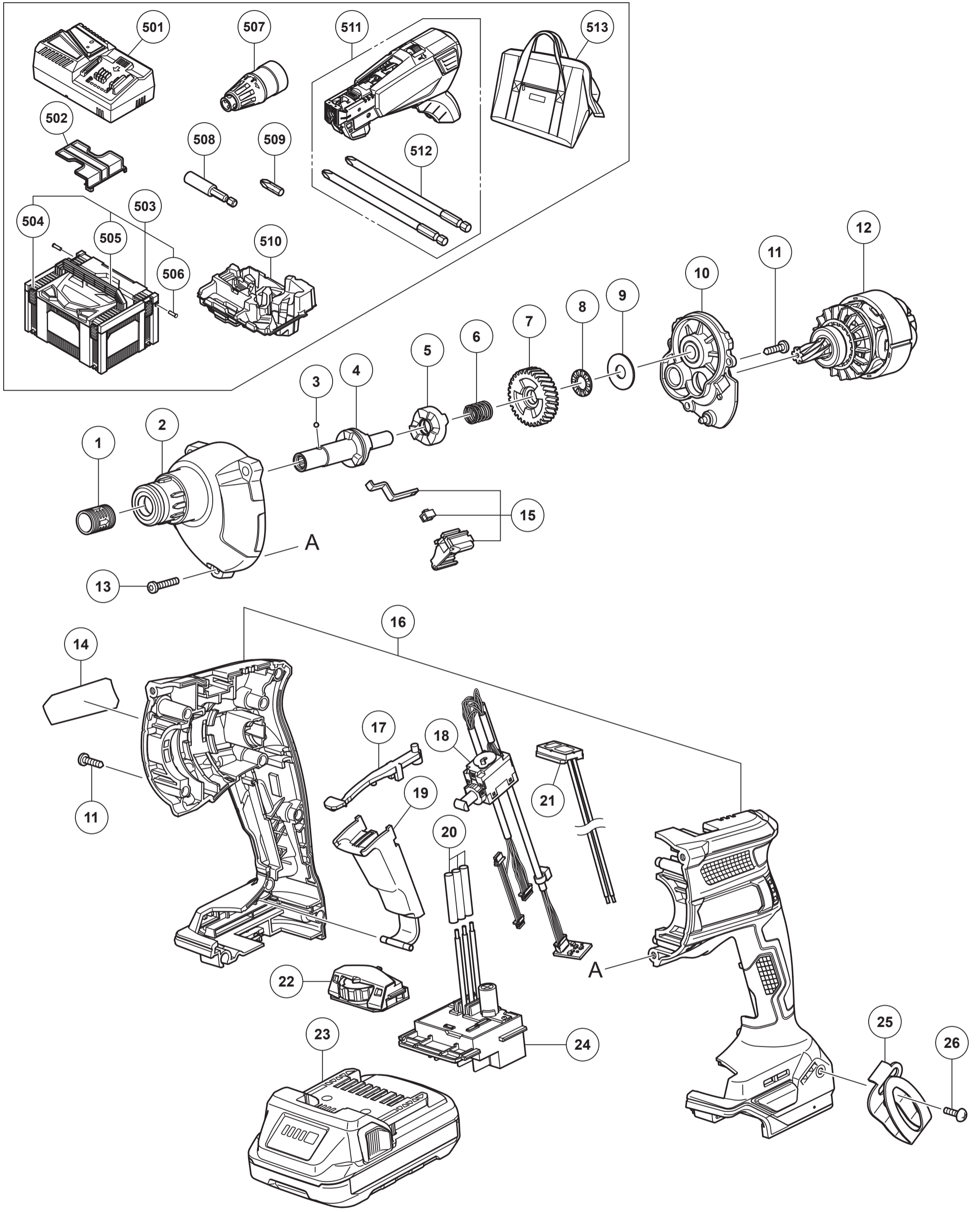


# HIKOKI

## C. AUTOMATIC SCREW DRIVER W18DA

Item No.	Code No.	Description	No. Used	Remarks
1	378714	GUIDE SLEEVE	1	
2	378716	GEAR COVER	1	
3	378721	STEEL BALL	1	
4	378715	SOCKET	1	
5	378720	CLUTCH	1	
6	378717	SPRING	1	
7	378719	GEAR	1	
8	378718	THRUST NEEDLE BEARING	1	
9	378722	THRUST WASHER	1	
10	378724	INNER COVER	1	
11	378732	TAPPING SCREW ST2.9X16	12	
12	361179	MOTOR	1	
13	371270	TAPPING SCREW ST4.2X22	3	
14		NAME PLATE	1	
15	378723	ROD SET	1	
*16	378729	HOUSING SET	1	
17	378731	SHIFT LEVER	1	
18	378726	SWITCH	1	
19	378730	TRIGGER	1	
20	378727	SUMI TUBE	3	
21	378735	INDICATOR SET	1	
22	378728	DIAL	1	
24	378725	PCB TERMINAL SET	1	
25	372229	HOOK	1	
26	327001	TRUSS HD. SCREW M4 (BLACK)	1	
		STANDARD ACCESSORIES		
507	378733	STOPPER	1	
508	378736	MAGNETIC BIT HOLDER	1	
509	378737	+ DRIVER BIT NO.2 25L	1	
*511	378857	MAGAZINE ASS'Y	1	INCLD.512
512	378739	+ DRIVER BIT (B) NO.2 146L	2	
		OPTIONAL ACCESSORIES		
601	378734	GREASE FG126	1	

\* ALTERNATIVE PARTS



MODEL  
W18DA