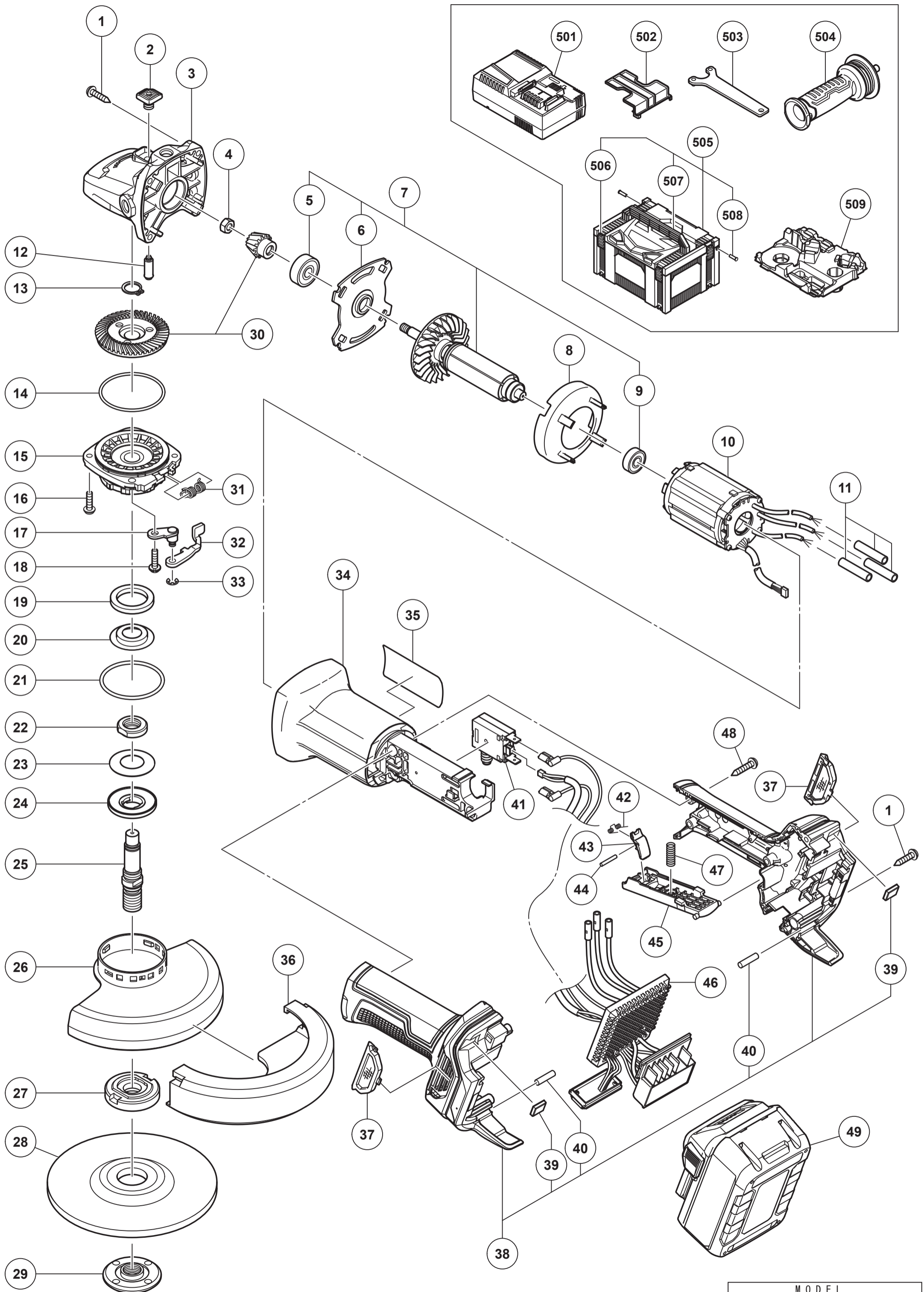


HIKOKI

CORDLESS DISC GRINDER G1813DF

Item No.	Code No.	Description	No. Used	Remarks
1	328643	TAPPING SCREW (W/FLANGE) D4X23 (BLACK)	6	
2	378809	PUSHING BUTTON	1	
3	378811	GEAR COVER ASS'Y	1	INCLUD.2,12
4	309191	SPECIAL NUT M6	1	
5	378615	BALL BEARING 628DD	1	
6	379413	BEARING HOLDER	1	
7	361198	ROTOR ASS'Y	1	INCLUD.5,6,9
8	378808	FAN GUIDE	1	
9	376128	BALL BEARING 607DD	1	
10	341141	STATOR SENSER PCB	1	
11	379901	SUMI TUBE	3	
12	301943	LOCK PIN	1	
13	939542	RETAINING RING FOR D12 SHAFT (10 PCS.)	1	
14	375899	O-RING	1	
15	378815	PACKING GLAND	1	
16	376226	SEAL LOCK SCREW (W/SP. WASHER) M4X14	3	
17	379733	LEVER HOLDER	1	
18	307046	SEAL LOCK SCREW (W/SP. WASHER) M5X16	1	
19	378822	FELT PACKING (B)	1	
20	379734	FRINGER	1	
21	375900	O-RING	1	
22	378821	SLEEVE	1	
23	371673	BELLEVILLE SPRING (B)	1	
24	371674	SUPPORT BODY (B)	1	
25	378819	SPINDLE (B)	1	
26	375904	WHEEL GUARD	1	
27	371677	WHEEL WASHER (C)	1	
*28	316822	D. C. WHEELS 125MM A36Q (25 PCS.)	1	FOR AUS,NZL,CHN
29	339579	WHEEL NUT M14	1	
30	379958	GEAR AND PINION SET	1	
31	376229	SPRING	1	
32	379736	LEVER	1	
33	6685336	RETAINING RING D4	1	
34	379401	HOUSING (C)	1	
35		NAME PLATE	1	
36	379735	GUARD CLIP (D125)	1	
37	379591	FILTER	2	
38	379407	HANDLE ASS'Y	1	INCLUD.39,40
39	370321	DAMPER (A)	2	
40	373041	REAR BUMPER	2	
41	379415	SWITCH	1	
42	337874	SPRING	1	
43	337873	LOCK LEVER	1	
44	339032	PIN	1	
45	379420	PADDLE LEVER (B)	1	
46	379917	CONTROLLER ASS'Y	1	INCLUD.41
47	379900	SPRING	1	
48	305490	TAPPING SCREW (W/FLANGE) D4X30 (BLACK)	3	
		STANDARD ACCESSORIES		
503	938332Z	WRENCH	1	
504	336865	SIDE HANDLE	1	

* ALTERNATIVE PARTS



MODEL
G1813DF