

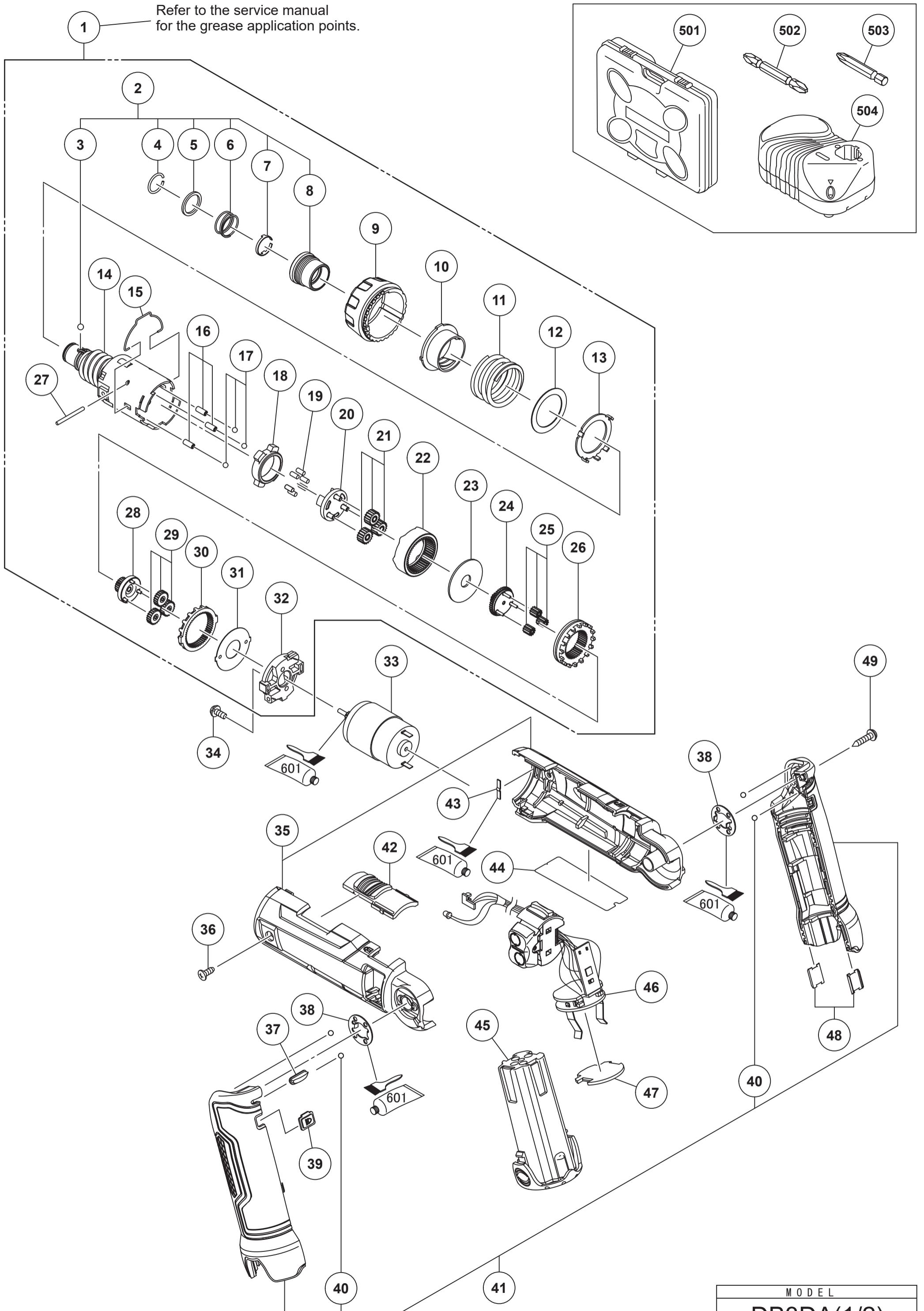
HIKOKI

CORDLESS DRIVER DRILL DB3DA

Item No.	Code No.	Description	No. Used	Remarks
*1	382283	GEAR BOX ASS'Y	1	INCLUD.2,9-32 FOR AUS
2	382295	GUIDE SLEEVE SET	1	INCLUD.3-8
3	319535	STEEL BALL D3.5 (10 PCS.)	2	
4	315984	RETAINING RING	1	
5	315983	WASHER (D)	1	
6	320409	GUIDE SPRING	1	
7	382289	SET RING	1	
8	382293	GUIDE SLEEVE	1	
9	382292	CLUTCH DIAL	1	
10	326341	NUT	1	
11	382291	SPRING	1	
12	382288	WASHER (D)	1	
13	382287	THRUST WASHER	1	
*14	382285	GEAR CASE	1	FOR AUS
15	326345	SHIFT ARM	1	
16	382290	PIN SET (3 PCS.)	3	
17	321934	STEEL BALL D3 (10 PCS.)	3	
18	326323	LOCK RING	1	
19	326324	NEEDLE ROLLER SET (6PCS.)	6	
20	326325	CARRIER	1	
21	326327	PLANET GEAR (C) SET (3 PCS.)	3	
22	326326	RING GEAR	1	
23	326328	WASHER (B)	1	
24	332768	PINION (C)	1	
25	332766	PLANET GEAR (B) SET (3 PCS.)	3	
26	332767	SLIDE RING GEAR	1	
27	326329	NEEDLE	2	
28	332765	PINION (B)	1	
29	326335	PLANET GEAR (A) SET (3 PCS.)	3	
30	326334	FIRST RING GEAR	1	
31	332764	WASHER (A)	1	
32	382286	MOTOR SPACER	1	
33	332755	MOTOR DC 3.6V	1	
34	330755	MACHINE SCREW (W/SP. WASHER) M2.6X6	2	
35	382277	HOUSING (A).(B) SET	1	
36	984319	PAN HD. TAPPING SCREW D3X8	4	
37	382280	LED HOLDER	1	
38	326315	CLICK PLATE	2	
39	382281	LED BUTTON	1	
40	317788	STEEL BALL D3	4	
41	382278	HANDLE (A).(B) SET	1	INCLUD.40
42	382294	SHIFT KNOB	1	
43	326309	CLICK SPRING	1	
44		NAME PLATE	1	
*45	381658	BATTERY BCL 320 (AUS,NZL,MAL)	2	
46	382279	WIRING	1	
47	326316	TERMINAL SUPPORT	1	
48	326318	CLIP	2	
49	302086	TAPPING SCREW (W/FLANGE) D4X20 (BLACK)	1	
		STANDARD ACCESSORIES		
501	332844	CASE	1	
*503	992671	+ DRIVER BIT (B) NO.2 50L	1	FOR AUS
504		CHARGER (MODEL UC 3SFL)	1	

* ALTERNATIVE PARTS

Refer to the service manual
for the grease application points.



MODEL
DB3DA(1/2)

